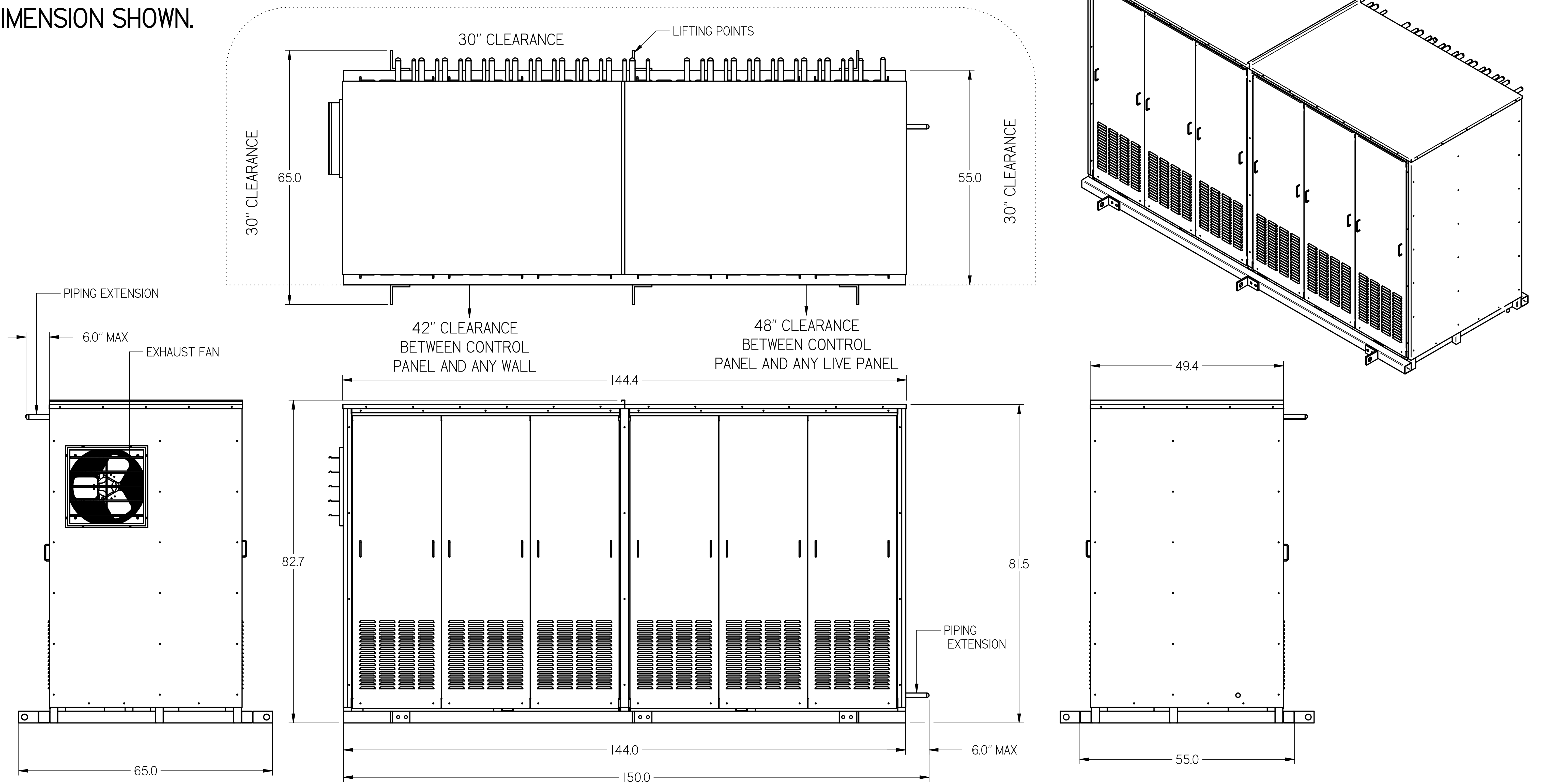


MINIMUM CLEARANCE REQUIREMENTS:

ACTUAL CLEARANCE REQUIREMENTS ARE DEPENDENT UPON AUTHORITY HAVING JURISDICTION, AND MAY EXCEED DIMENSION SHOWN.



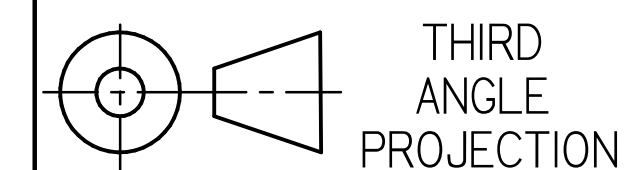
NOTES:

1. IT IS THE RESPONSIBILITY OF THE INSTALLING CONTRACTOR TO ENSURE THAT THE FINAL EQUIPMENT INSTALLATION MEETS ALL APPLICABLE CODE REQUIREMENTS.
2. ILLUSTRATION SHOWN IS FOR GENERAL REPRESENTATION ONLY. ACTUAL PRODUCT WILL VARY DEPENDENT UPON APPLICATION.
3. OVERALL DIMENSIONS: 150 L X 65 W X 82.7 H.
4. RECEIVER SIZES SHOWN ARE BASED UPON 80% CAPACITY

RACK DIMENSIONS: 144"L X 55"W X 81.5"H

MAXIMUM TOTAL UNIT WEIGHT(LBS)	
SHIPPING	OPERATING
6160	6670

DIMENSIONS ARE IN INCHES.
DATE DRAWN: 2017/09/14

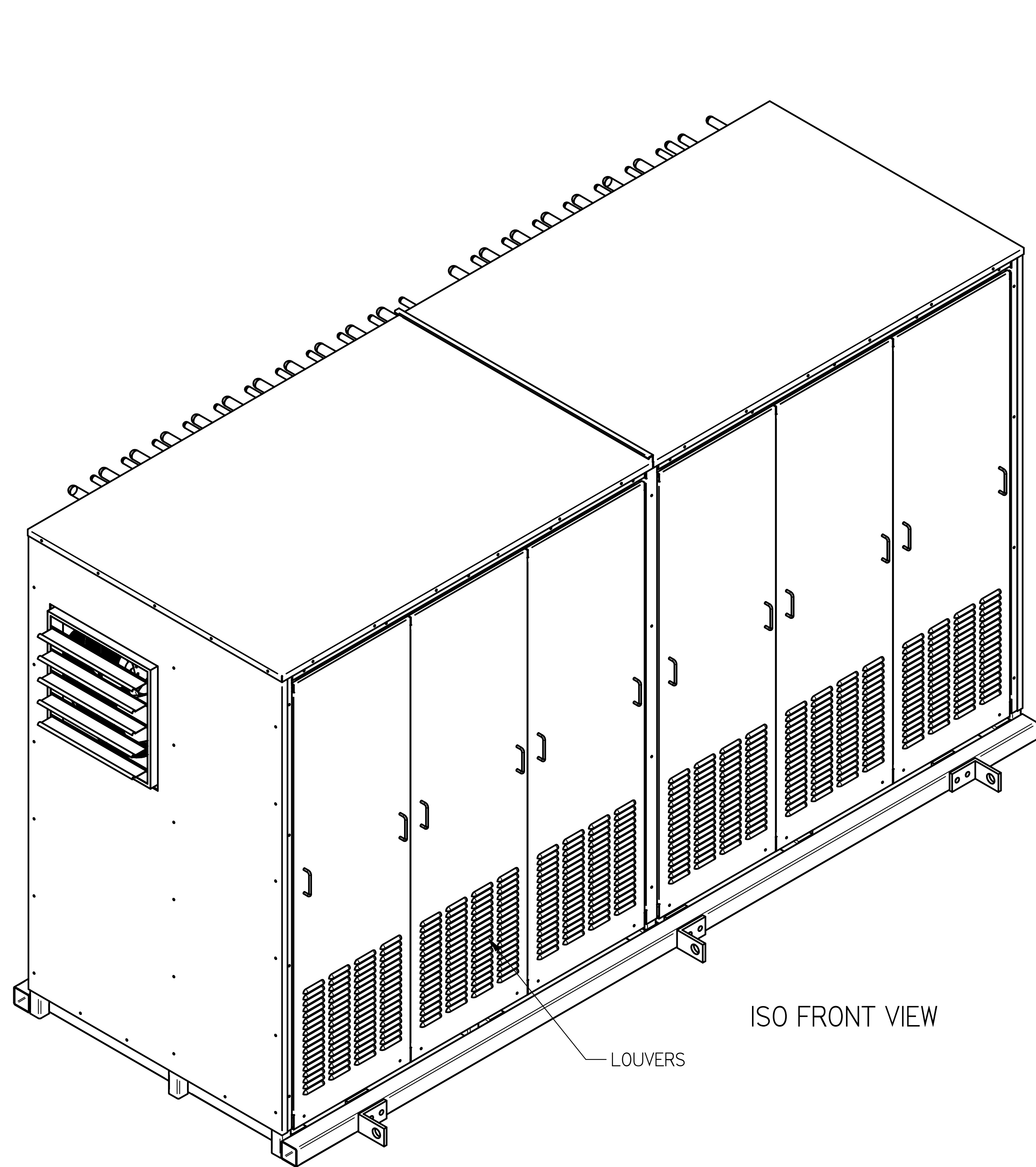


SHEET 1 OF 5

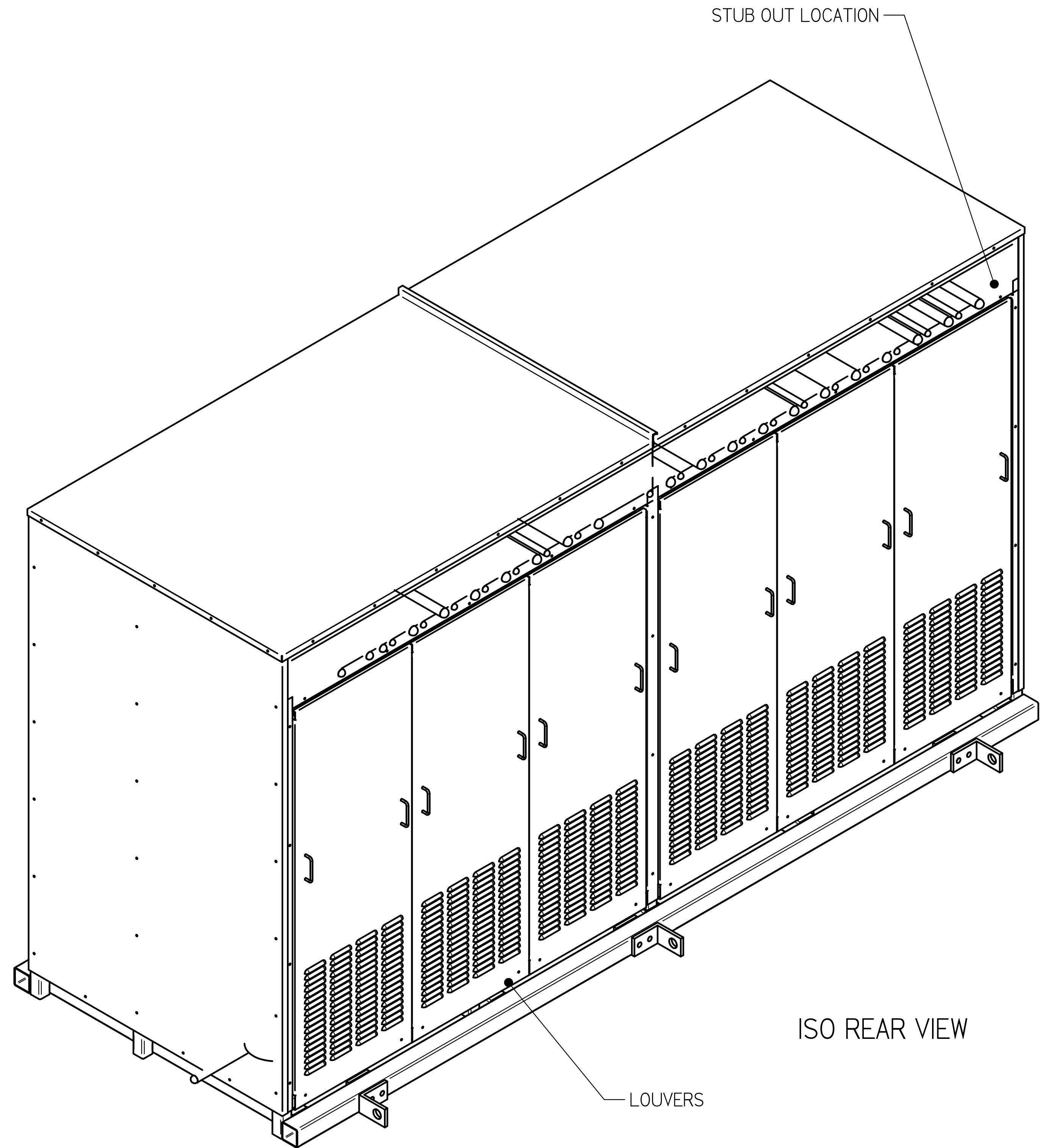
HUSSMANN[®]
O5CRH-PARALLEL
RACK OUTDOOR

DOC PD-000000055 REV B

INFORMATION SUBJECT TO CHANGE



ISO FRONT VIEW



ISO REAR VIEW

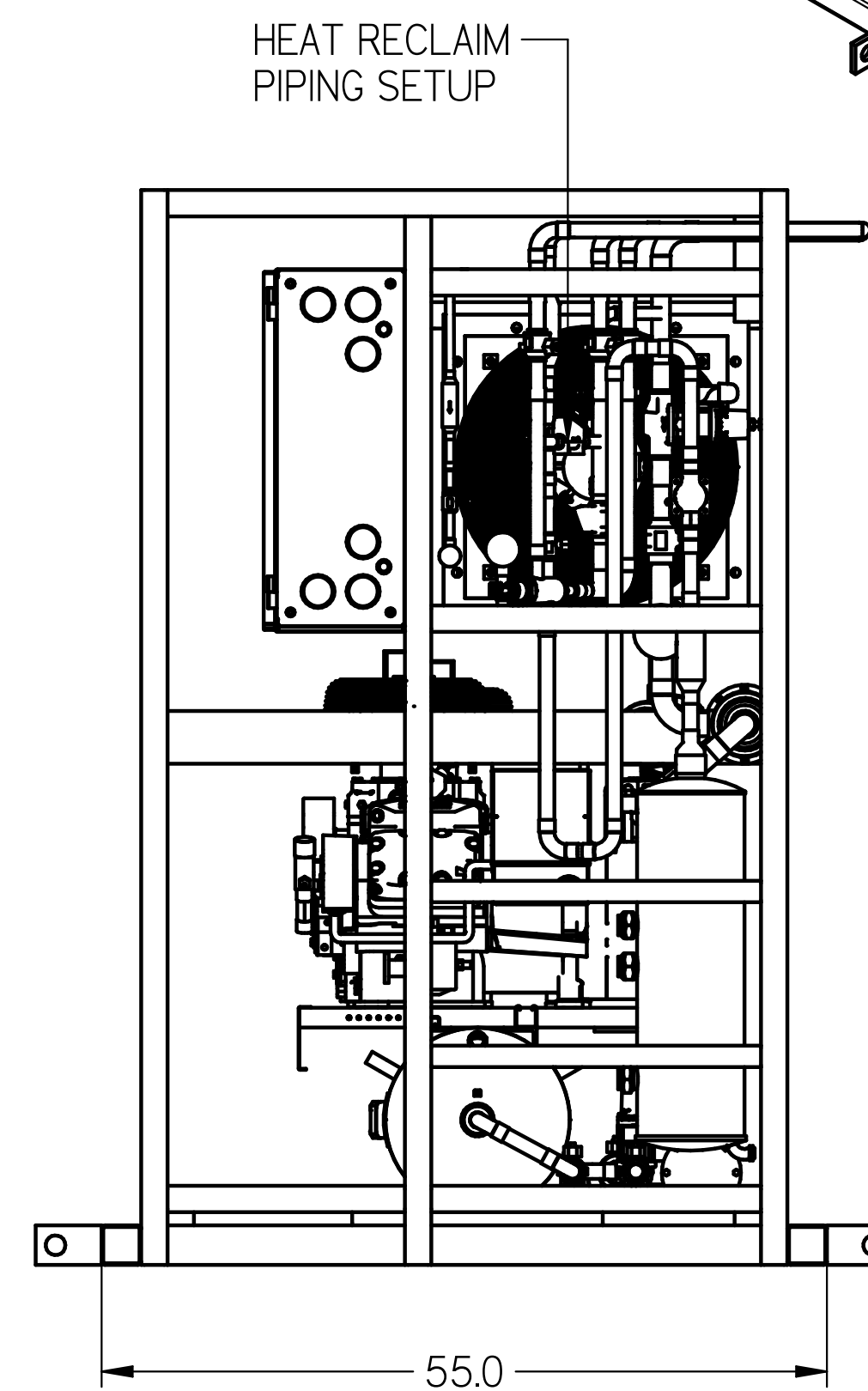
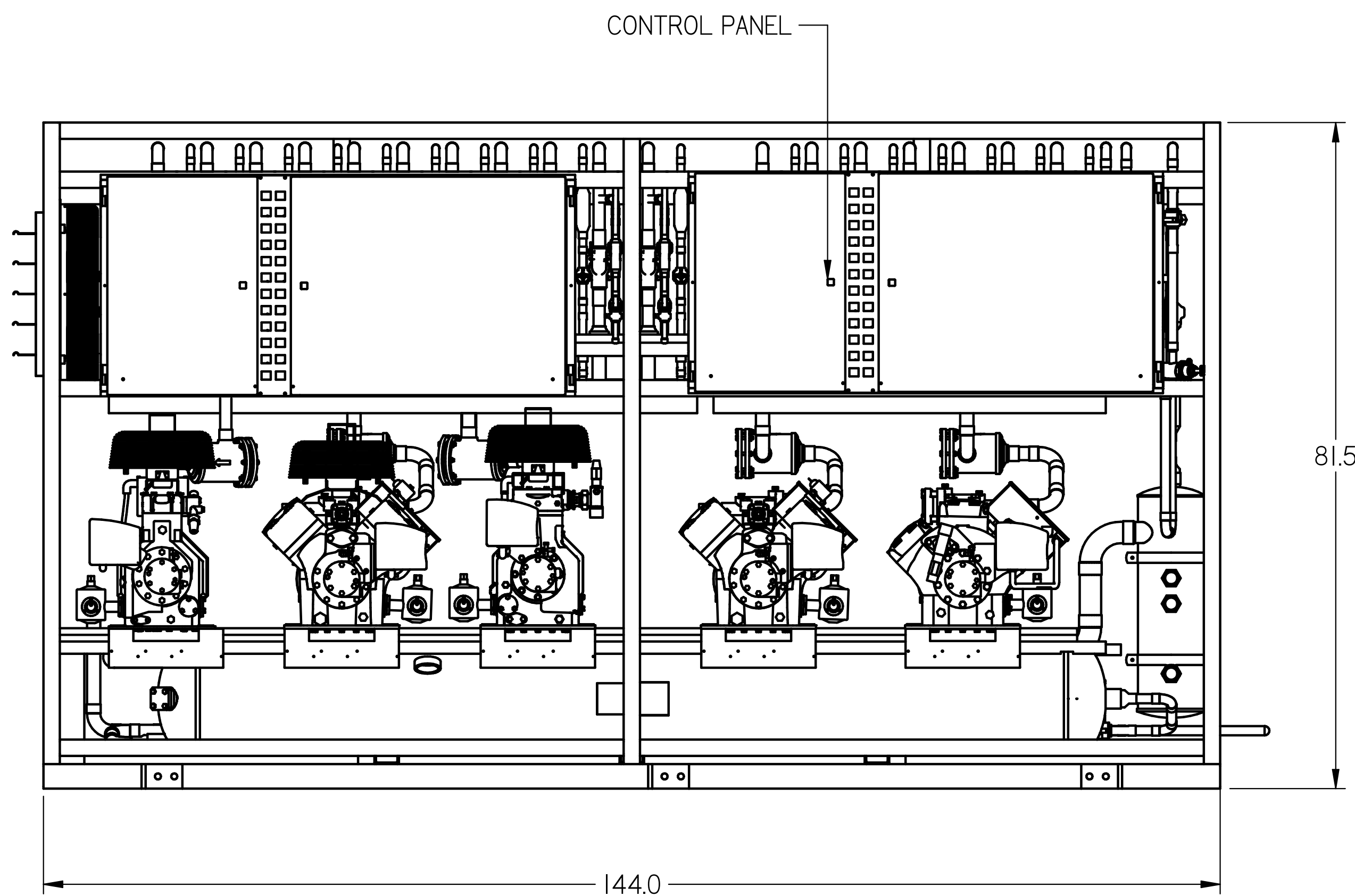
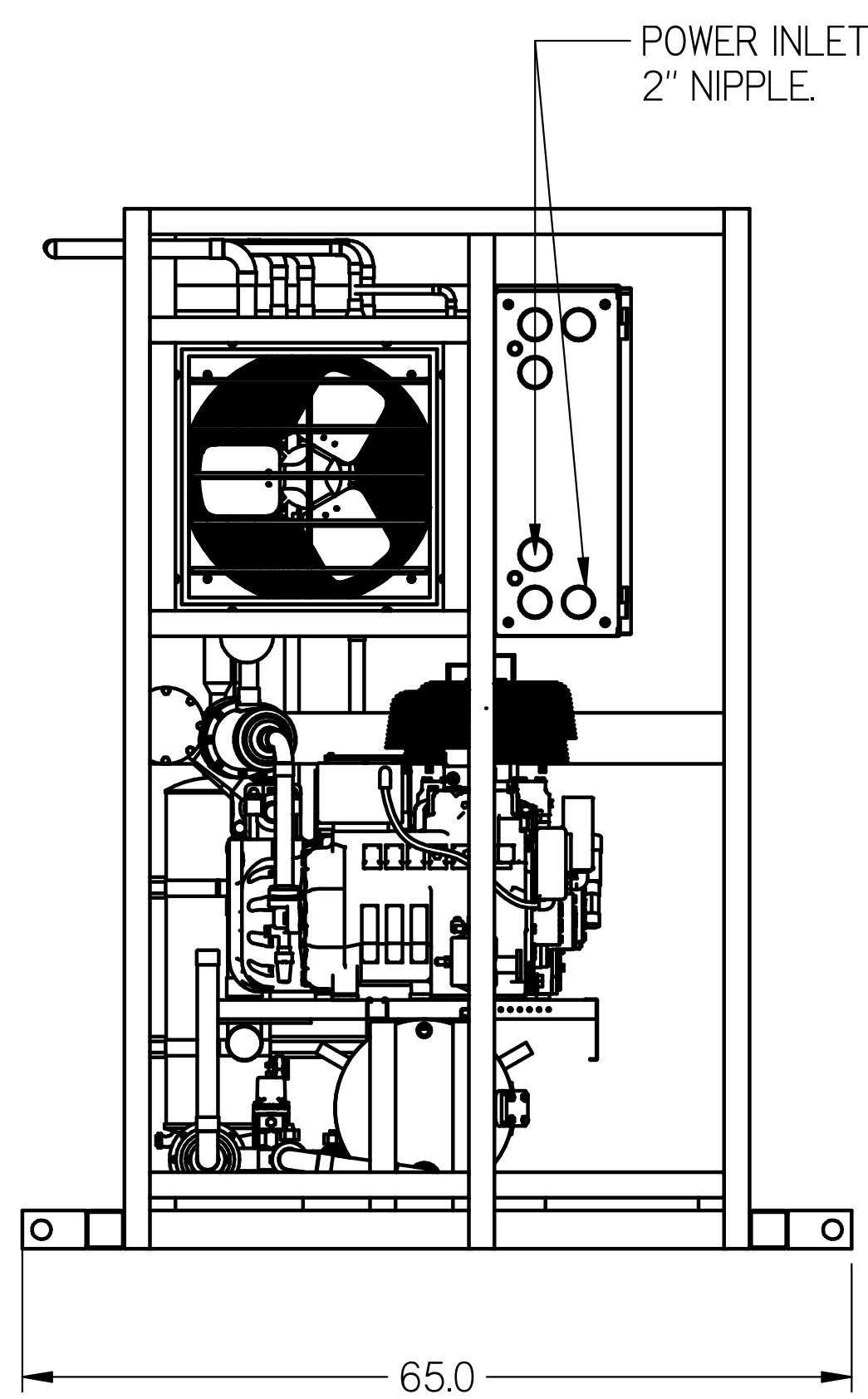
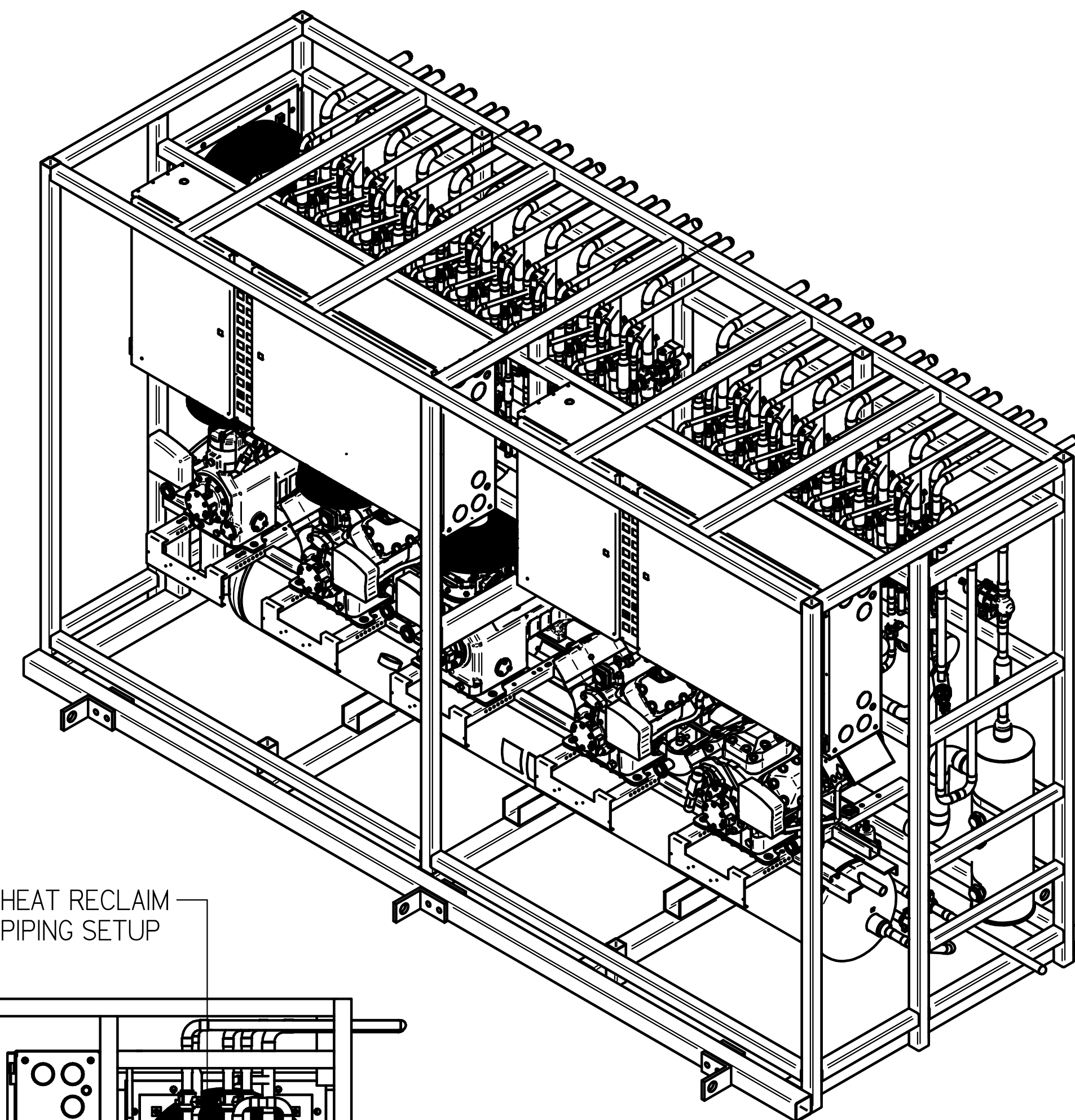
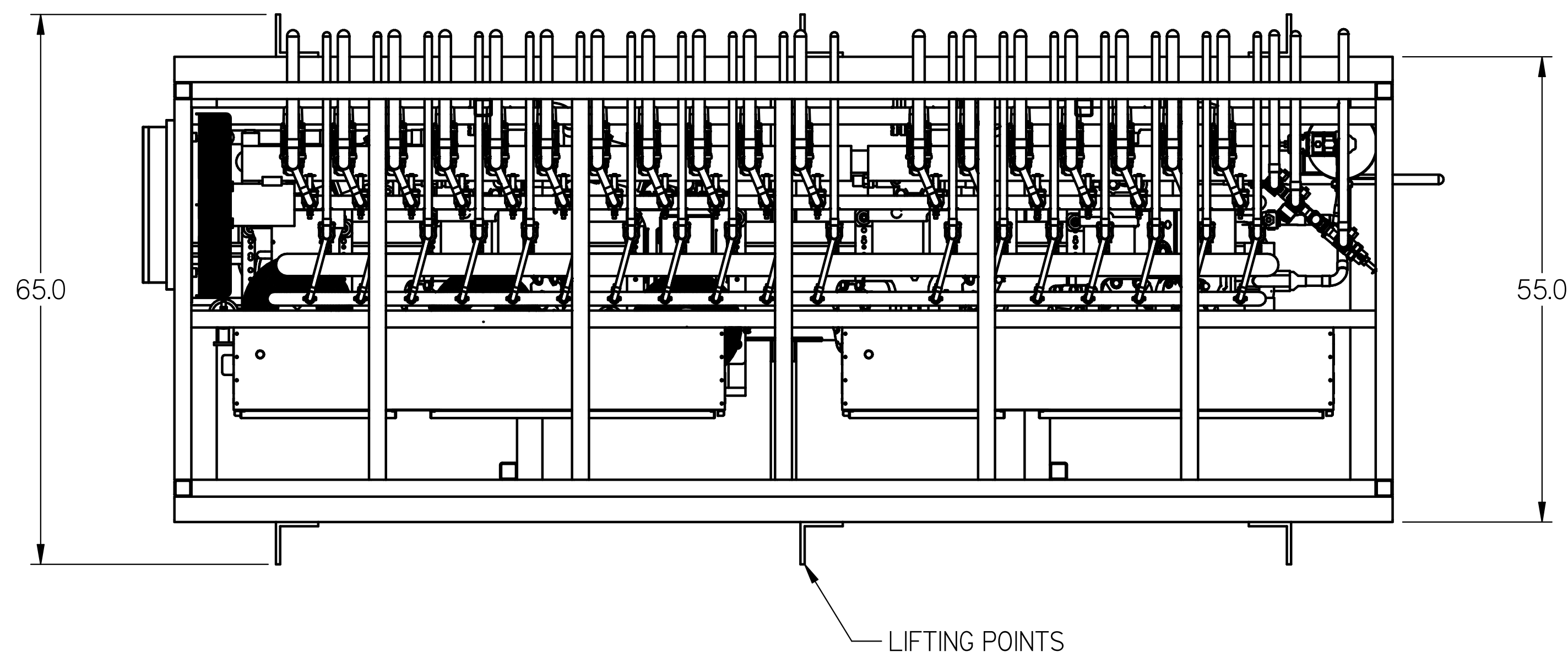
NOTES:

1. IT IS THE RESPONSIBILITY OF THE INSTALLING CONTRACTOR TO ENSURE THAT THE FINAL EQUIPMENT INSTALLATION MEETS ALL APPLICABLE CODE REQUIREMENTS.
2. ILLUSTRATION SHOWN IS FOR GENERAL REPRESENTATION ONLY. ACTUAL PRODUCT WILL VARY DEPENDENT UPON APPLICATION.
3. OVERALL DIMENSIONS: 150 L X 65 W X 82.7 H.
4. RECEIVER SIZES SHOWN ARE BASED UPON 80% CAPACITY

DIMENSIONS ARE IN INCHES. DATE DRAWN: 2017/09/14	HUSSMANN®	
	05CRH-PARALLEL RACK OUTDOOR	
THIRD ANGLE PROJECTION	DOC PD-000000055	REV B
SHEET 2 OF 5		

INFORMATION SUBJECT TO CHANGE

SWN 1.0 SUBMITTAL SHEET SIZE D



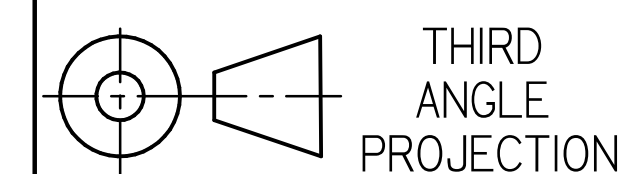
RACK DIMENSIONS: 144"L X 55"W X 81.5"H

NOTES:

1. IT IS THE RESPONSIBILITY OF THE INSTALLING CONTRACTOR TO ENSURE THAT THE FINAL EQUIPMENT INSTALLATION MEETS ALL APPLICABLE CODE REQUIREMENTS.
2. ILLUSTRATION SHOWN IS FOR GENERAL REPRESENTATION ONLY. ACTUAL PRODUCT WILL VARY DEPENDENT UPON APPLICATION.
3. OVERALL DIMENSIONS: 150 L X 65 W X 82.7 H.
4. RECEIVER SIZES SHOWN ARE BASED UPON 80% CAPACITY

INFORMATION SUBJECT TO CHANGE

DIMENSIONS ARE IN INCHES.
DATE DRAWN: 2017/09/14



SHEET 3 OF 5

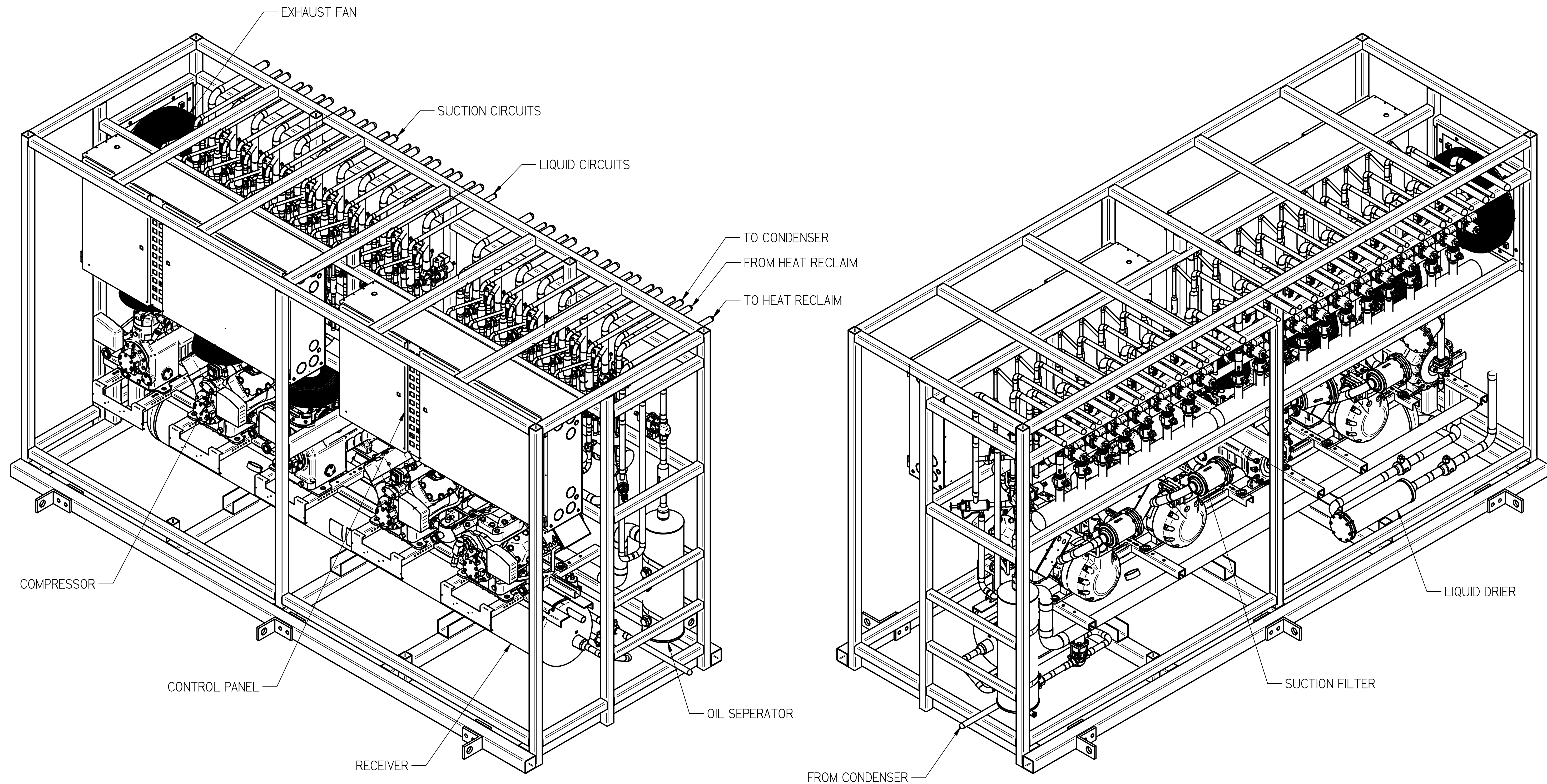
HUSSMANN[®]

O5CRH-PARALLEL
RACK OUTDOOR

DOC PD-000000055

REV B

SWN 1.0 SUBMITTAL SHEET SIZE D

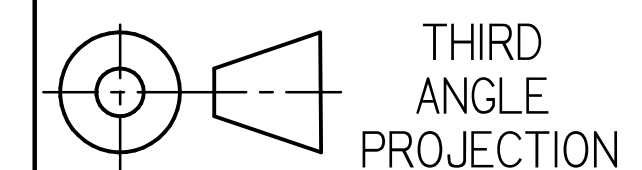


NOTES:

1. IT IS THE RESPONSIBILITY OF THE INSTALLING CONTRACTOR TO ENSURE THAT THE FINAL EQUIPMENT INSTALLATION MEETS ALL APPLICABLE CODE REQUIREMENTS.
2. ILLUSTRATION SHOWN IS FOR GENERAL REPRESENTATION ONLY. ACTUAL PRODUCT WILL VARY DEPENDENT UPON APPLICATION.
3. OVERALL DIMENSIONS: 150 L X 65 W X 82.7 H.
4. RECEIVER SIZES SHOWN ARE BASED UPON 80% CAPACITY

INFORMATION SUBJECT TO CHANGE

DIMENSIONS ARE IN INCHES.
DATE DRAWN: 2017/09/14



SHEET 4 OF 5

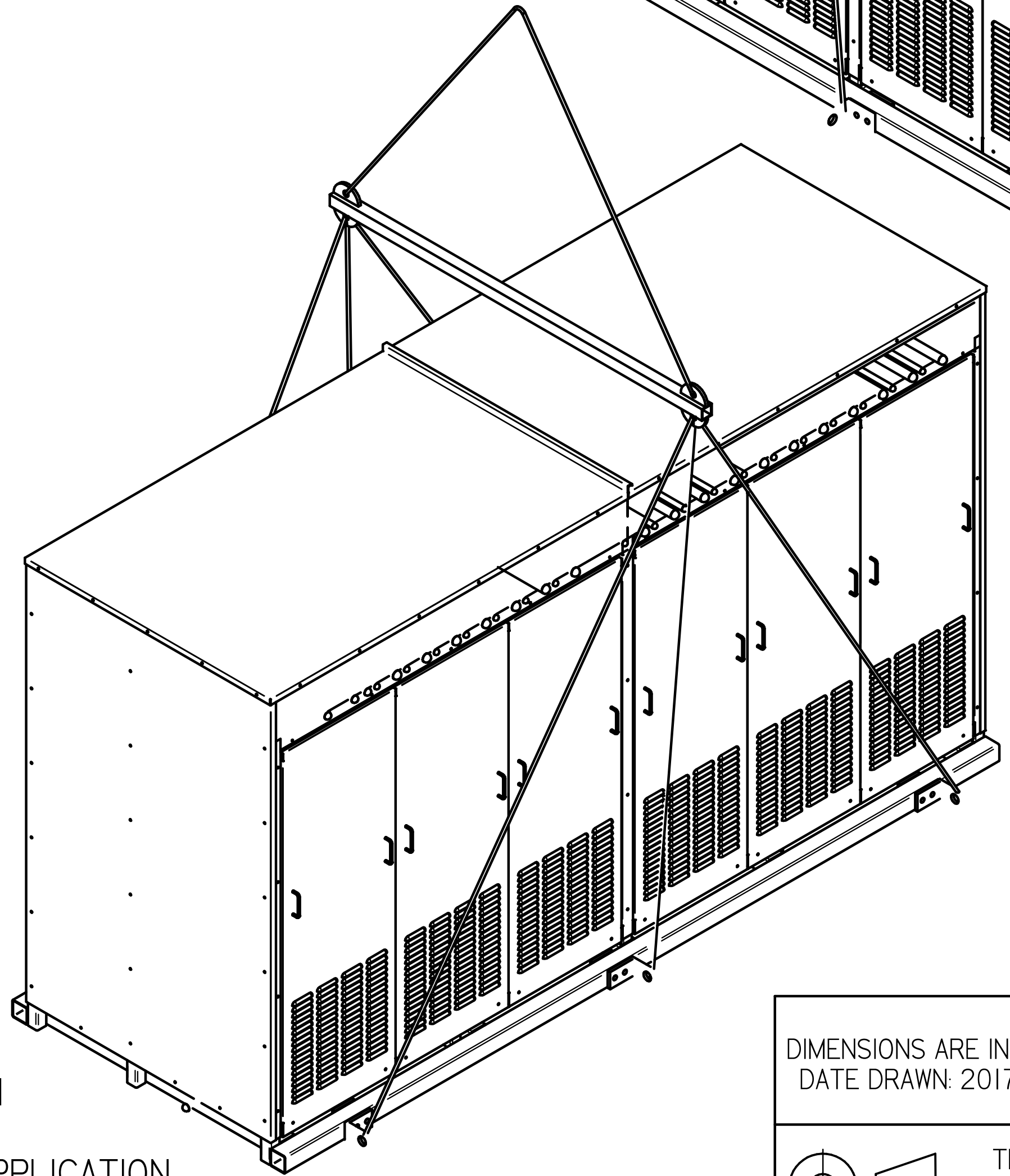
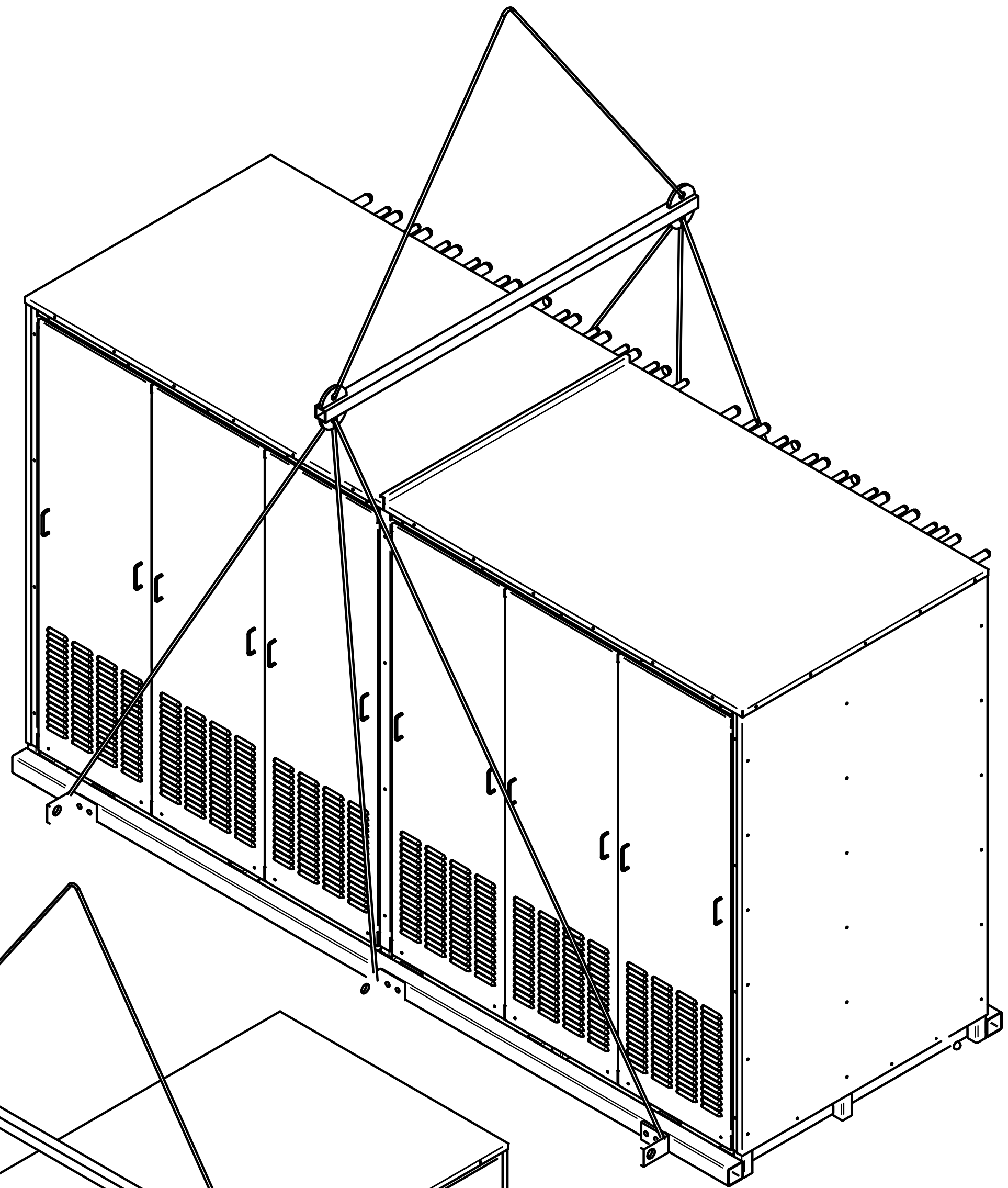
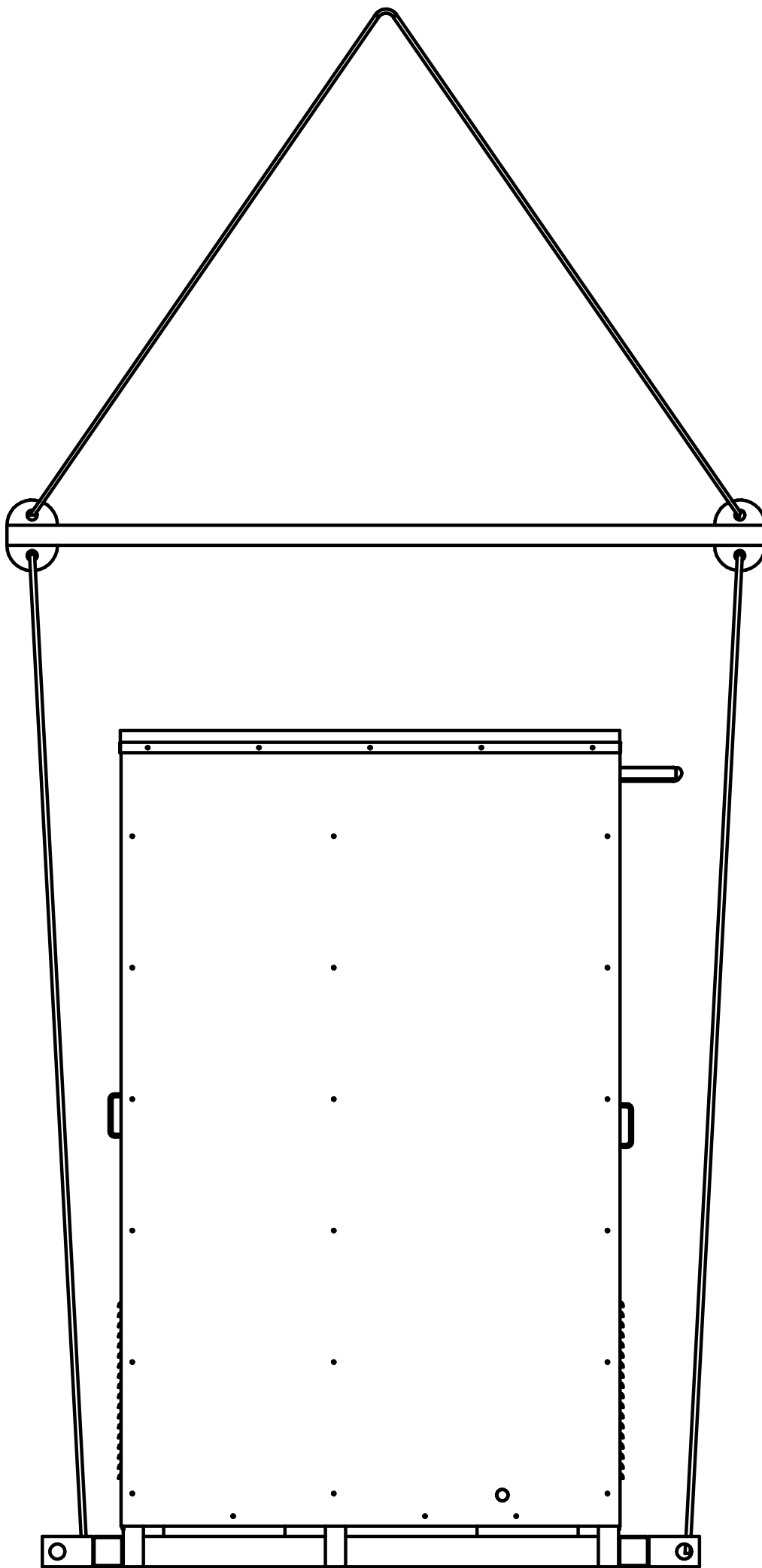
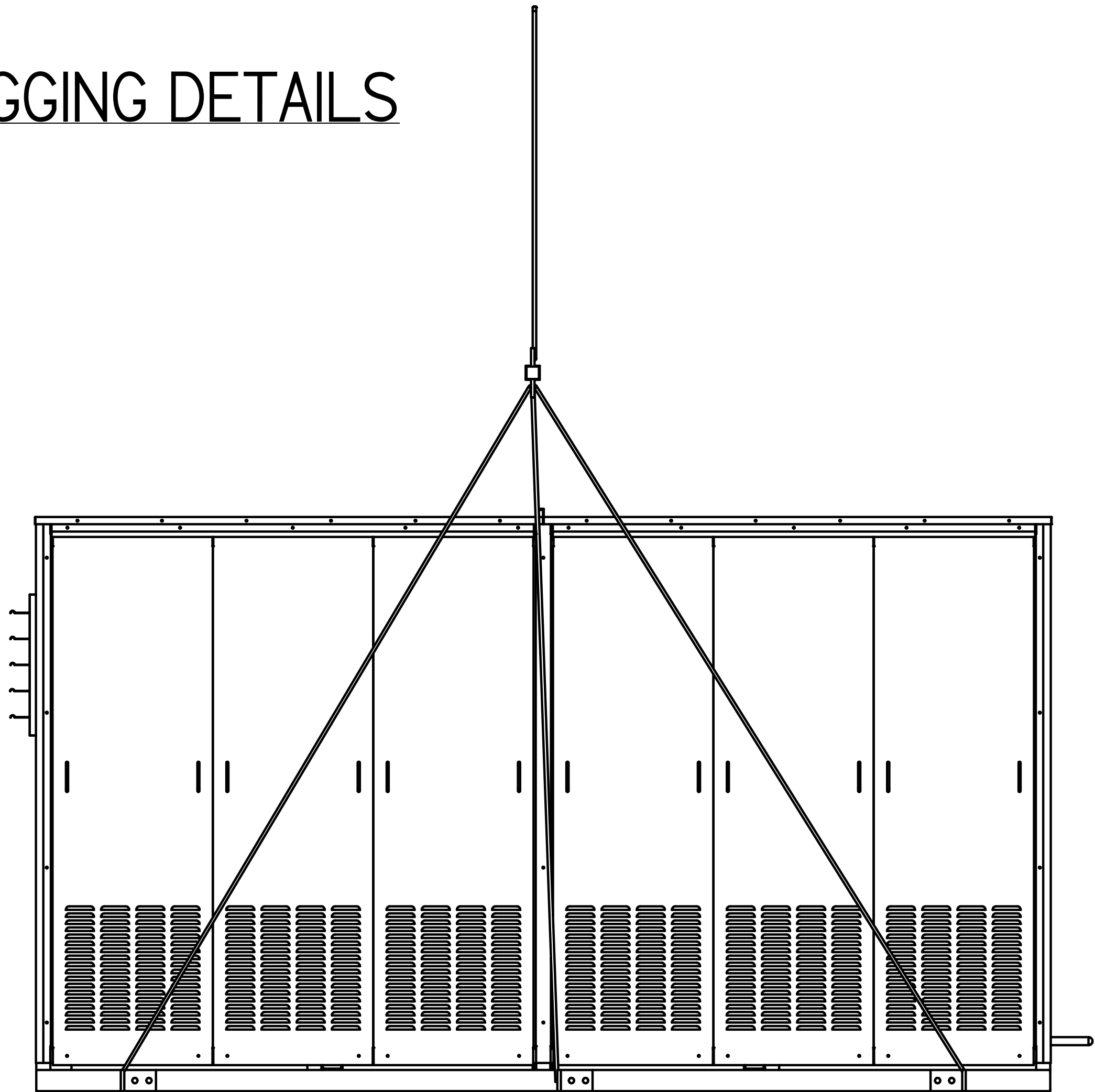
HUSSMANN[®]

O5CRH-PARALLEL
RACK OUTDOOR

DOC PD-000000055 REV B

SWN 1.0 SUBMITTAL SHEET SIZE D

RIGGING DETAILS



NOTES FOR RIGGING:
 THE RIGGING ILLUSTRATION SHOWN IS FOR GENERAL REPRESENTATION ONLY.
 ACTUAL RIGGING MAY VARY PER APPLICATION.

- NOTES:
1. IT IS THE RESPONSIBILITY OF THE INSTALLING CONTRACTOR TO ENSURE THAT THE FINAL EQUIPMENT INSTALLATION MEETS ALL APPLICABLE CODE REQUIREMENTS.
 2. ILLUSTRATION SHOWN IS FOR GENERAL REPRESENTATION ONLY. ACTUAL PRODUCT WILL VARY DEPENDENT UPON APPLICATION.
 3. OVERALL DIMENSIONS: 150 L X 65 W X 82.7 H.
 4. RECEIVER SIZES SHOWN ARE BASED UPON 80% CAPACITY

DIMENSIONS ARE IN INCHES. DATE DRAWN: 2017/09/14		THIRD ANGLE PROJECTION	HUSSMANN [®] O5CRH-PARALLEL RACK OUTDOOR
INFORMATION SUBJECT TO CHANGE			
SHEET 5 OF 5			

SWN 1.0 SUBMITTAL SHEET SIZE D