



Main

Product Line	MagPak Packaged Unit Controller
Product or component type	Additional I/O module
Product specific application	MagPak Packaged Refrigeration System
Total inputs/outputs	14
Discrete input number	4
Discrete output number	3 for relay outputs SPST with same common 1 for relay outputs SPDT with independent common
Discrete output current	3 mA for relay
Analog input number	4 configurable by pair

Additional Specifications

Number of port	1 CAN port - screw terminal block
Input/Output number	4 digital input(s) 4 analog input(s) 4 digital output(s) 2 analog output(s)
Discrete input logic	Sink or source (positive/negative)
Discrete input voltage	24 V AC/DC
Discrete input current	2.5 mA
Input impedance	20 kOhm
Analog input type	Voltage 0...10 V Current 4...20 mA Temperature probe, PTC - 50...150 °C - resolution: 0.1 °C Temperature probe, NTC - 40...137 °C - resolution: 0.1 °C (extended) Voltage 0...5 V (ratiometric) Temperature probe, NTC - 50...110 °C - resolution: 0.1 °C
Analog output number	2 voltage, range: 0...10 V
Sensor power supply	12 V DC at 85 mA
Rated supply voltage	24 V AC/DC (+/- 10 %)
Power consumption in W	7 W
Realtime clock	Built-in realtime clock at -10...55 °C
Display type	Without display
Overvoltage category	II
Local signalling	1 LED green programmable 1 LED yellow programmable 1 LED red programmable
Mounting support	DIN rail
Width	70.2 mm
Height	87 mm
Depth	61.6 mm
Product weight	0.385 kg

© 2015 Hussmann Corporation (with permission from Schneider Electric). All rights reserved.

Modbus, Elliwell, SoMachine and Televis are trademarks and the property of Schneider Electric SE, its subsidiaries or affiliates.

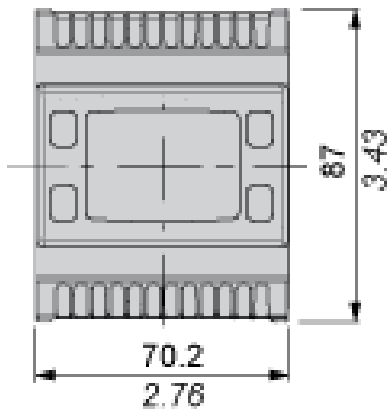
The information provided in this documentation contains general descriptions and/or technical characteristics of the performance of the products contained herein. This documentation is not intended as a substitute for and is not to be used for determining suitability or reliability of these products for specific user applications. It is the duty of any such user or integrator to perform the appropriate and complete risk analysis, evaluation and testing of the products with respect to the relevant specific application or use thereof. Neither Hussmann nor any of its affiliates or subsidiaries shall be responsible or liable for misuse of the information contained herein.

Environment

Directives	2006/95/EC - low voltage directive 86/188/EEC - physical agents (noise) directive 2011/65/EU - RoHS directive 1907/2006/EC - REACH directive
Standards	UL/CSA 60730
Product certifications	CE CSA UL
Ambient air temperature for operation	-10...55 °C conforming to UL 60730-1
Ambient air temperature for storage	-20...85 °C
Relative humidity	10...90 % non-condensing
IP degree of protection	IP20
Pollution degree	2

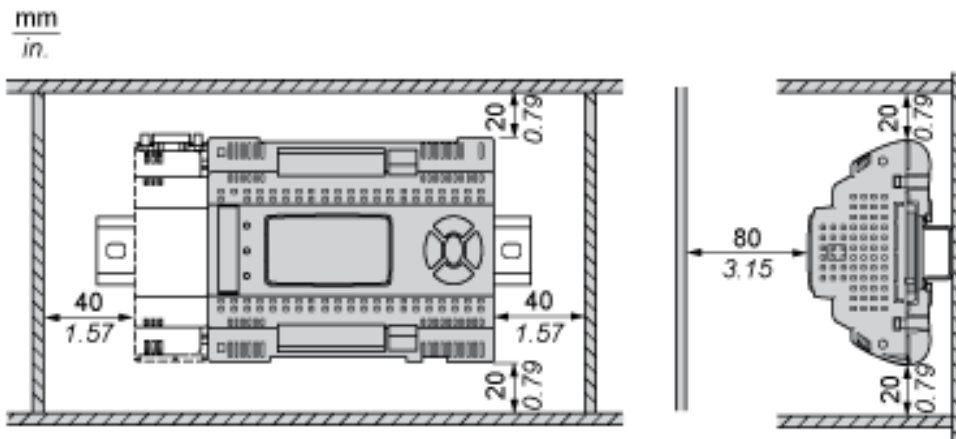
Dimensions

mm
in.

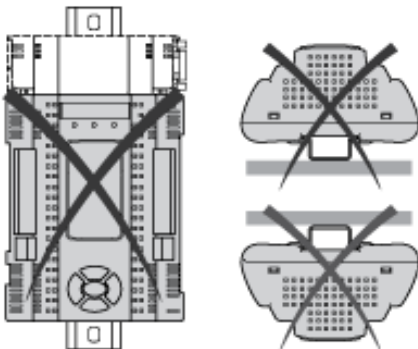


Mounting and Clearance

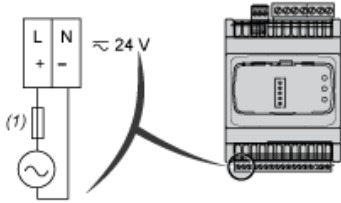
Clearance



Misplacement

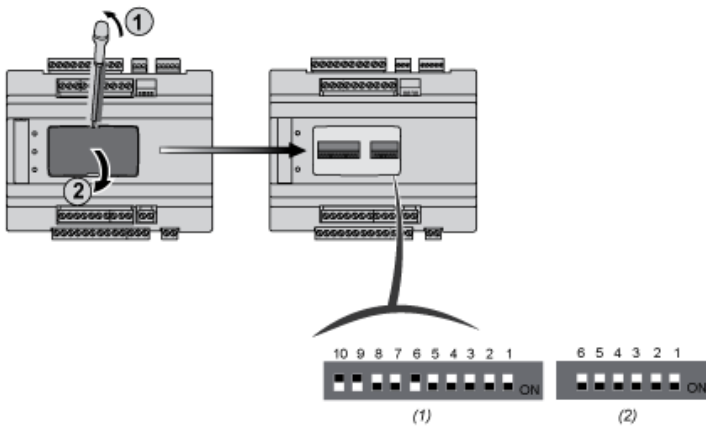


Power Supply



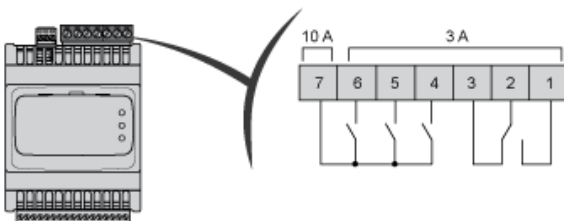
(1) Type T fuse 1.25 A

6 - 10 DipSwitches



(1) 10 DIP SWITCH
(2) 6 DIP SWITCH

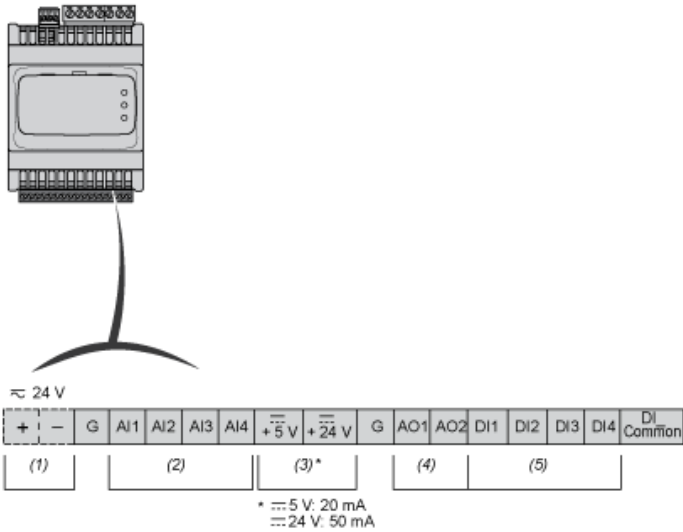
Digital Outputs



N°	Pin -out
1	DO1-N.O.
2	COMMON DO1
3	DO1-N.C.
4	DO2-N.O.
5	DO3-N.O.
6	DO4-N.O.
7	Common DO2, DO3,DO4

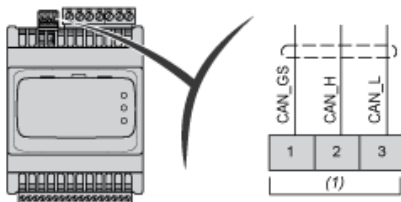
N.C.: Normally Closed
N.O.: Normally Open

Low Voltage I/O



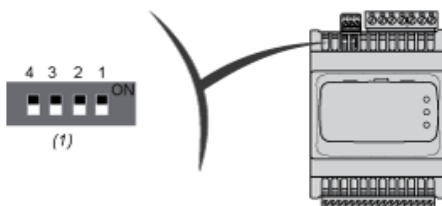
- (1) Power Supply
- (2) Analog Input
- (3) Power Out
- (4) Analog Output
- (5) Digital Input

Expansion Bus (CAN)



- (1) CAN

4 DipSwitches



- (1) LOW Address