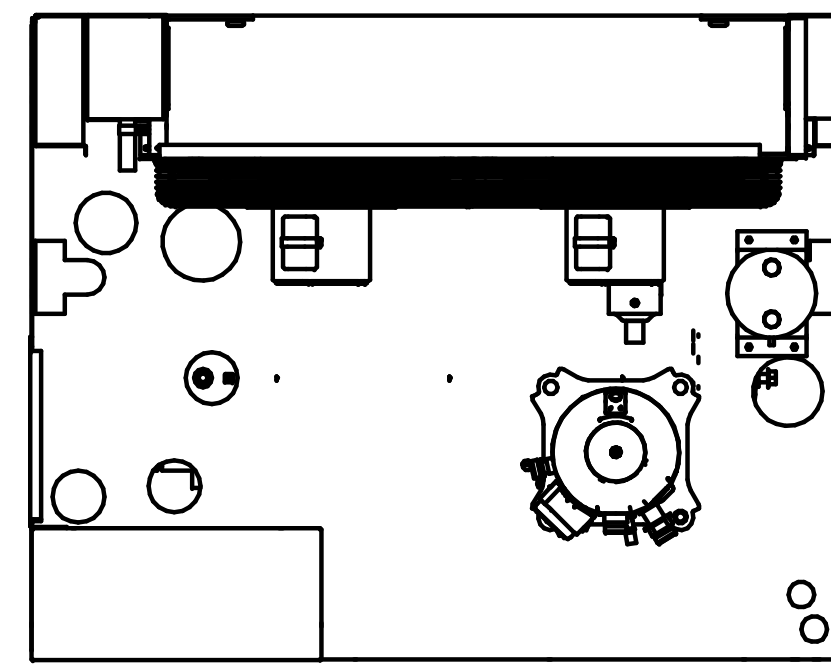
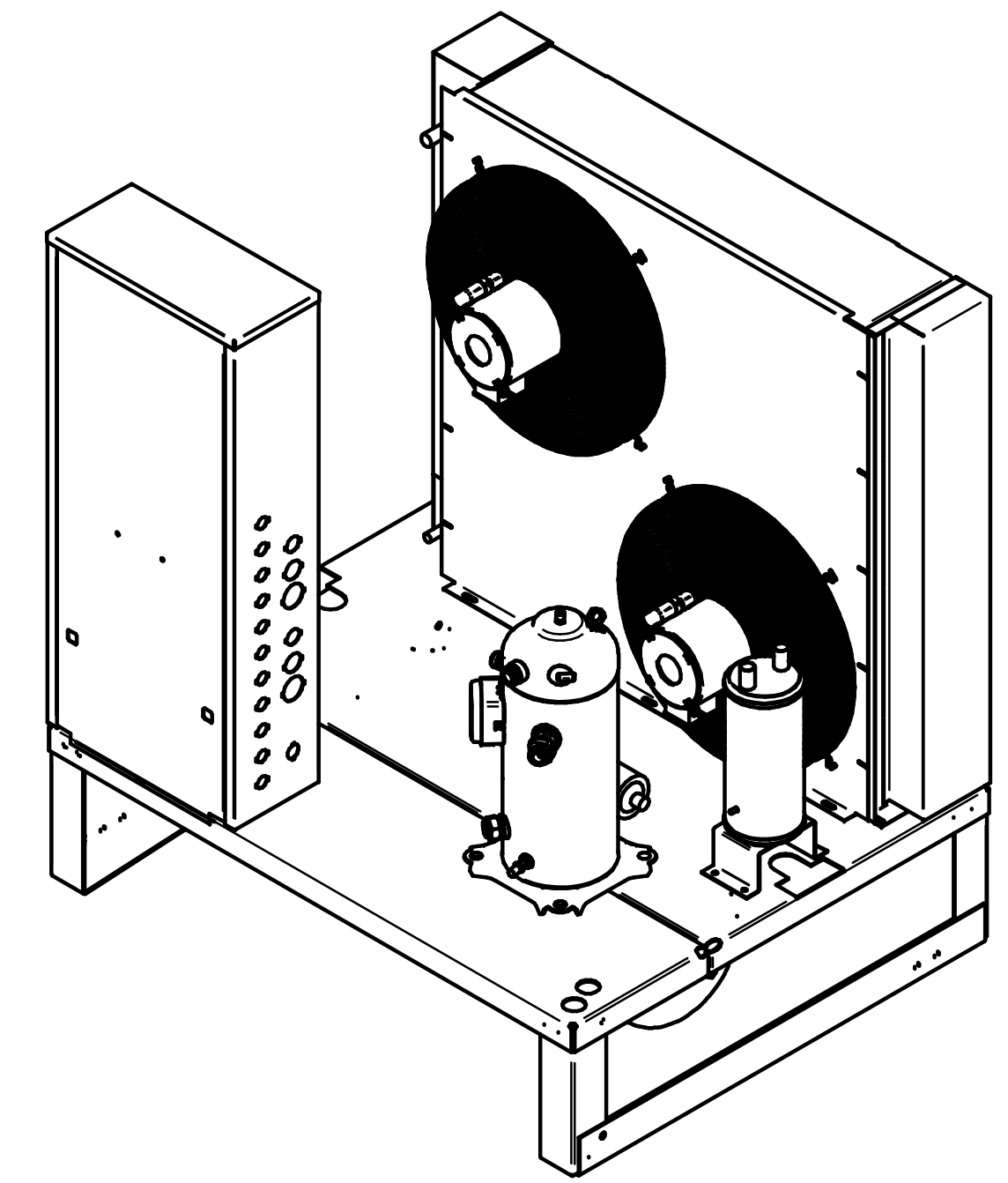


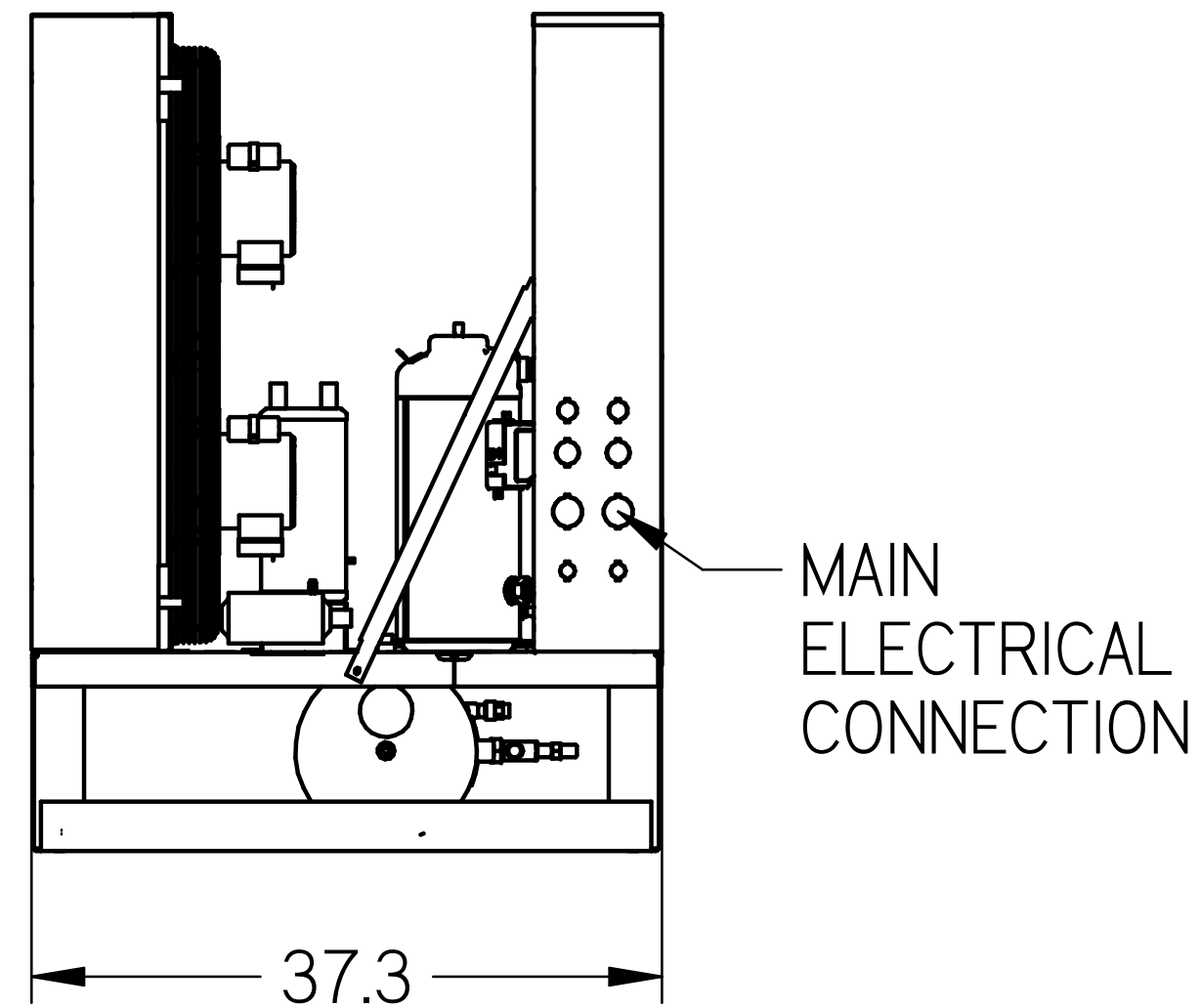
HIGH EFFICIENCY
H-SERIES
MEDIUM SIZE
INDOOR UNIT
HEAVY DUTY BASE
 "HxHx-xxxxxxx-xx-x"
WEIGHT: 650 LBS.



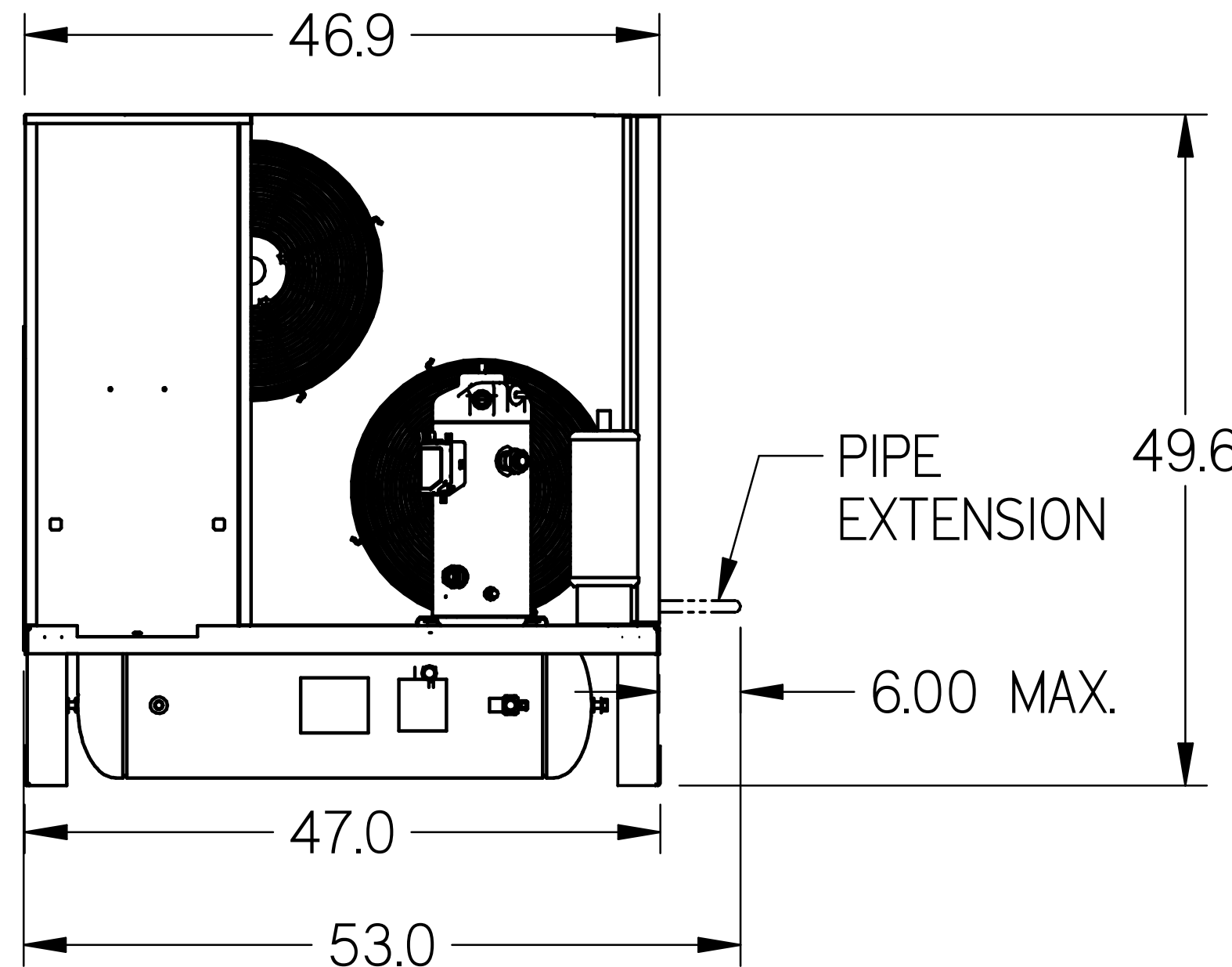
TOP VIEW



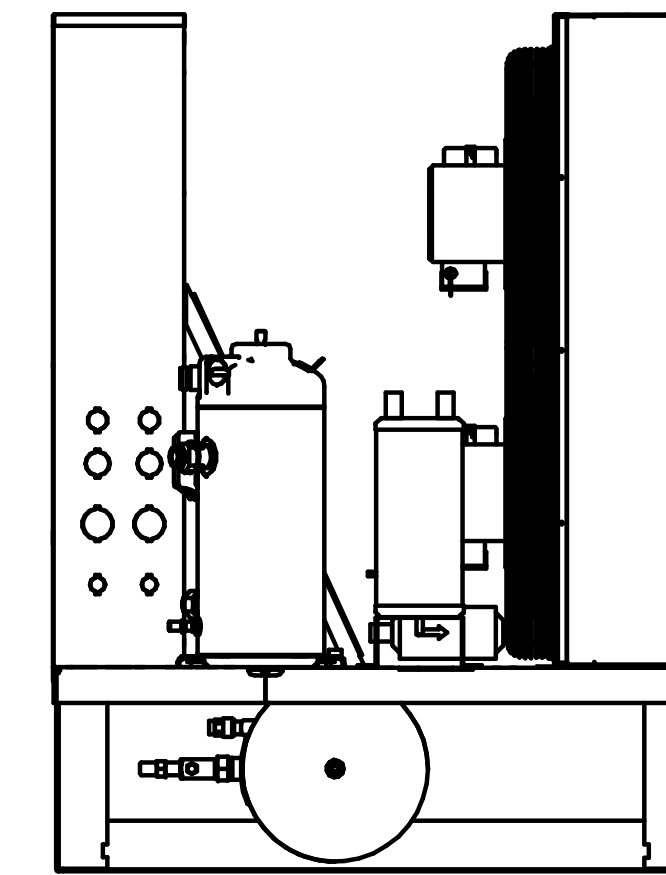
ISO VIEW



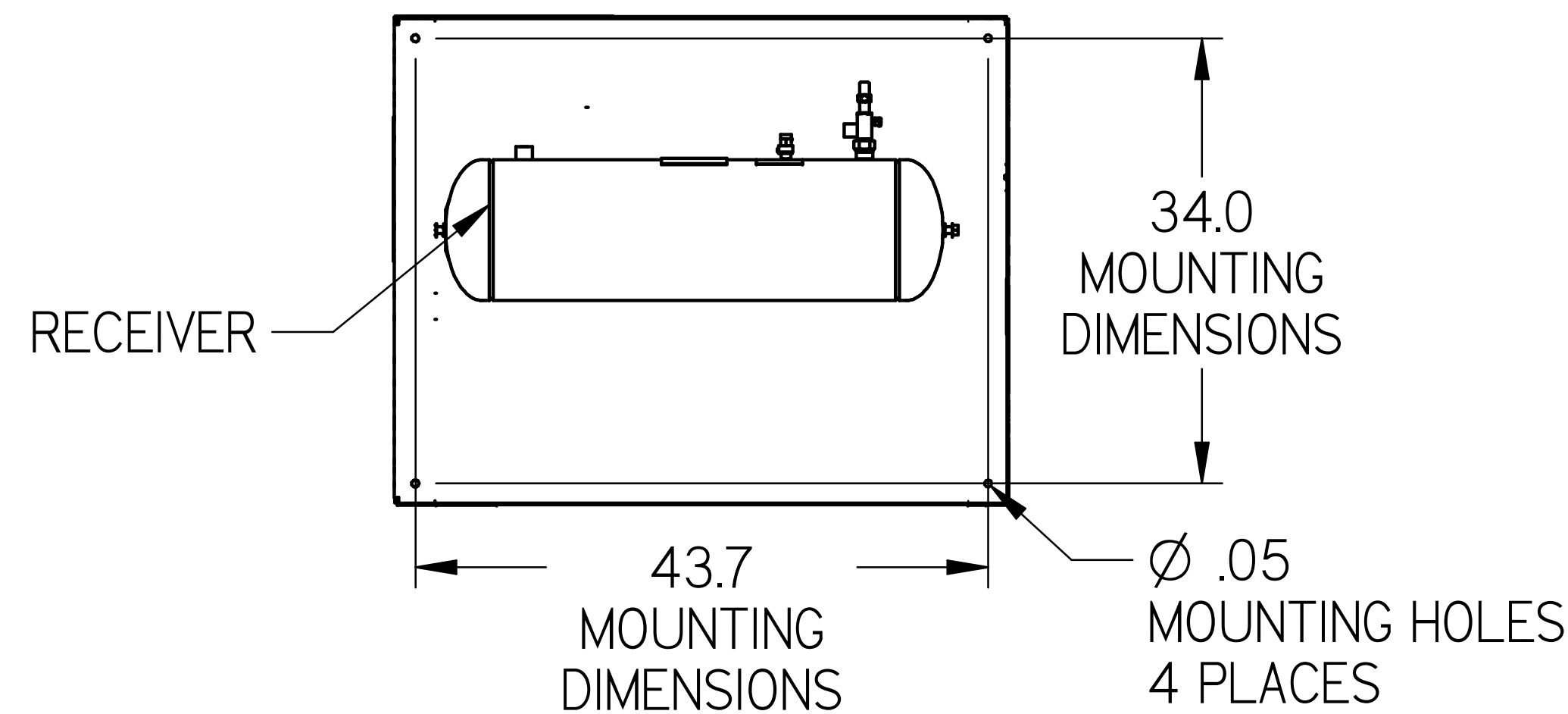
LEFT SIDE VIEW



FRONT VIEW



RIGHT SIDE VIEW

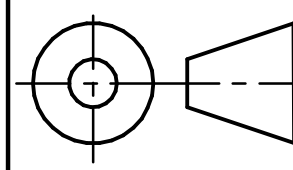


BOTTOM VIEW

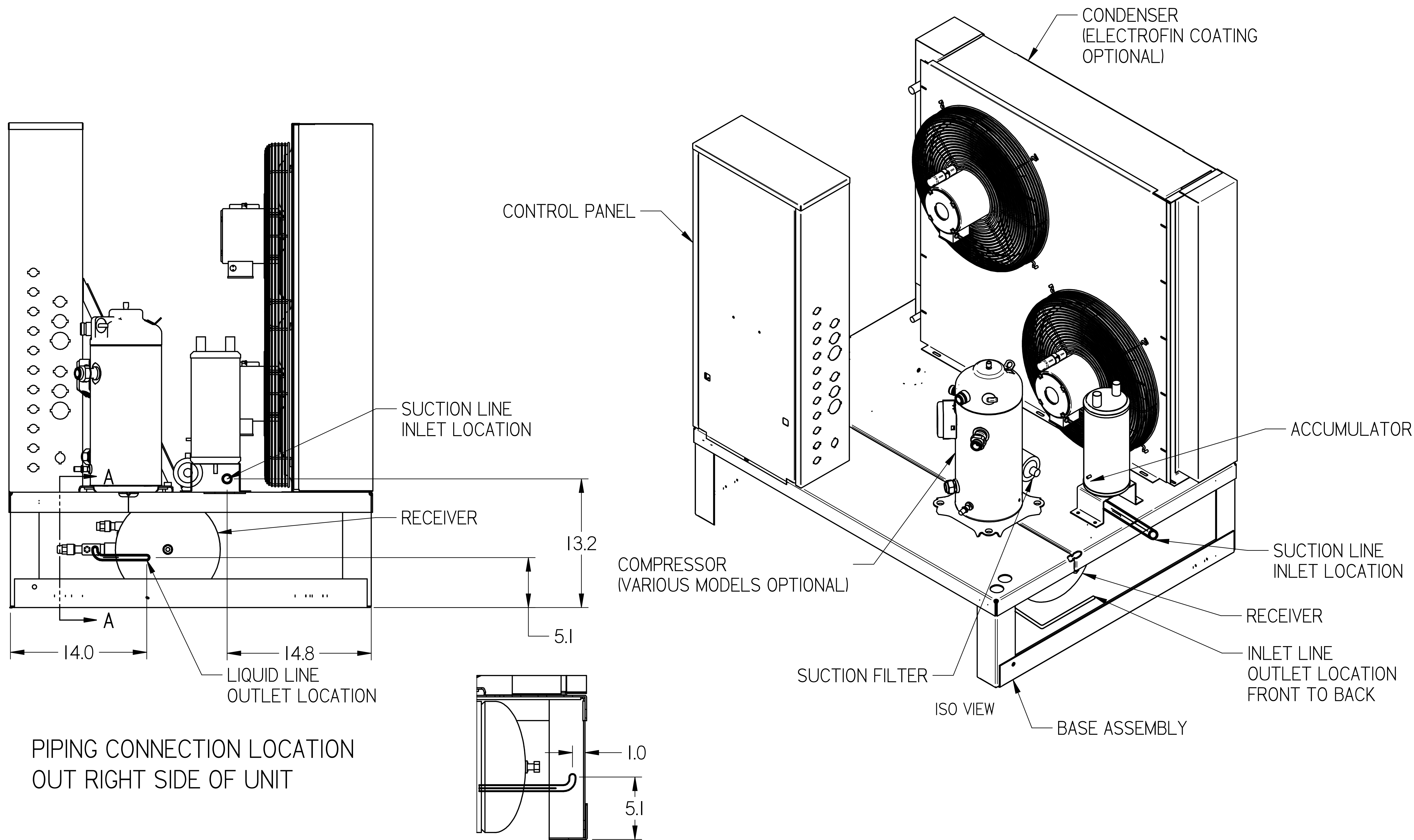
NOTES:

1. IT IS THE RESPONSIBILITY OF THE INSTALLING CONTRACTOR TO ENSURE THAT THE FINAL EQUIPMENT INSTALLATION MEETS ALL APPLICABLE CODE REQUIREMENTS.
2. ILLUSTRATION SHOWN IS FOR GENERAL REPRESENTATION ONLY. ACTUAL PRODUCT WILL VARY DEPENDENT UPON APPLICATION.
3. OVERALL DIMENSIONS: 53.0 L X 37.3 W X 49.6 H.

INFORMATION SUBJECT TO CHANGE

DIMENSIONS ARE IN INCHES	HUSSMANN [®]
DRAWN: DEC 2019	
 THIRD ANGLE PROJECTION	HIGH EFFICIENCY H-SERIES MEDIUM INDOOR HD BASE
SHEET 1 OF 3	DOC PD-00000010 REV D

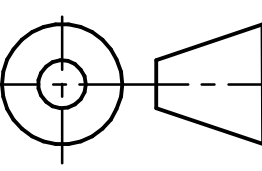
SWN 1.0 SUBMITTAL SHEET SIZE D



NOTES:

1. IT IS THE RESPONSIBILITY OF THE INSTALLING CONTRACTOR TO ENSURE THAT THE FINAL EQUIPMENT INSTALLATION MEETS ALL APPLICABLE CODE REQUIREMENTS.
2. ILLUSTRATION SHOWN IS FOR GENERAL REPRESENTATION ONLY. ACTUAL PRODUCT WILL VARY DEPENDENT UPON APPLICATION.
3. OVERALL DIMENSIONS: 53.0 L X 37.3 W X 49.6 H.

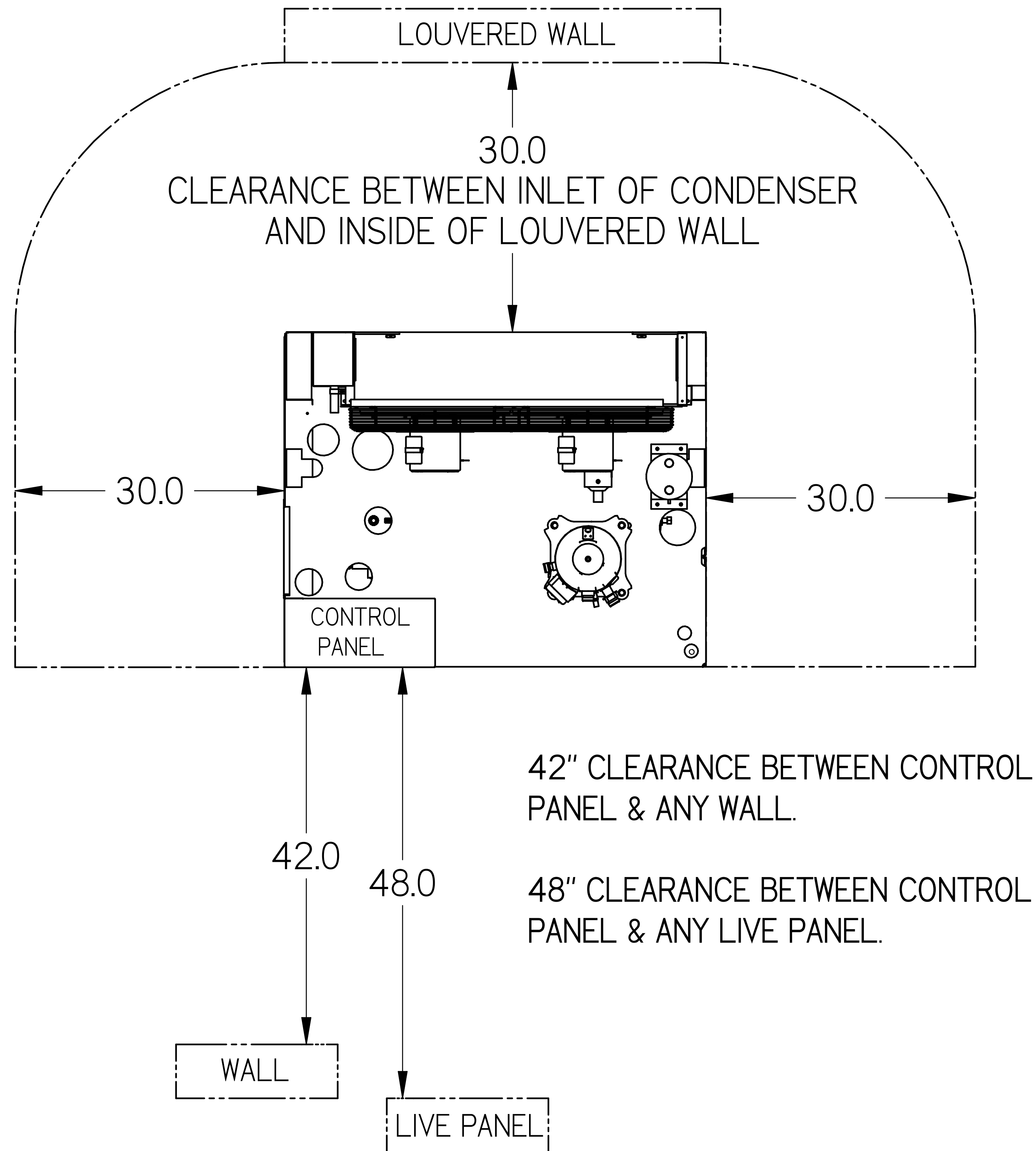
INFORMATION SUBJECT TO CHANGE

DIMENSIONS ARE IN INCHES	HUSSMANN [®]
DRAWN: DEC 2019	
 THIRD ANGLE PROJECTION	HIGH EFFICIENCY H-SERIES MEDIUM INDOOR HD BASE
SHEET 2 OF 3	DOC PD-00000010 REV D

SWN 1.0 SUBMITTAL SHEET SIZE D

MINIMUM CLEARANCE REQUIREMENTS:

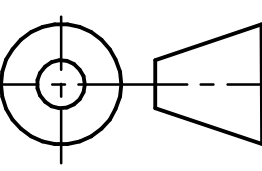
ACTUAL CLEARANCE REQUIREMENTS ARE DEPENDENT UPON AUTHORITY HAVING JURISDICTION, AND MAY EXCEED DIMENSIONS SHOWN.



NOTES:

1. IT IS THE RESPONSIBILITY OF THE INSTALLING CONTRACTOR TO ENSURE THAT THE FINAL EQUIPMENT INSTALLATION MEETS ALL APPLICABLE CODE REQUIREMENTS.
2. ILLUSTRATION SHOWN IS FOR GENERAL REPRESENTATION ONLY. ACTUAL PRODUCT WILL VARY DEPENDENT UPON APPLICATION.
3. OVERALL DIMENSIONS: 53.0 L X 37.3 W X 49.6 H.

INFORMATION SUBJECT TO CHANGE

DIMENSIONS ARE IN INCHES	HUSSmann [®]
DRAWN: DEC 2019	
 THIRD ANGLE PROJECTION	HIGH EFFICIENCY H-SERIES MEDIUM INDOOR HD BASE
SHEET 3 OF 3	DOC PD-000000010 REV D

SWN 1.0 SUBMITTAL SHEET SIZE D