

HUSSMANN[®]

microDS[™]

Insight[®] IC5BU-W

Dairy / Delicatessen / Beverage

Water-cooled

Self-Contained

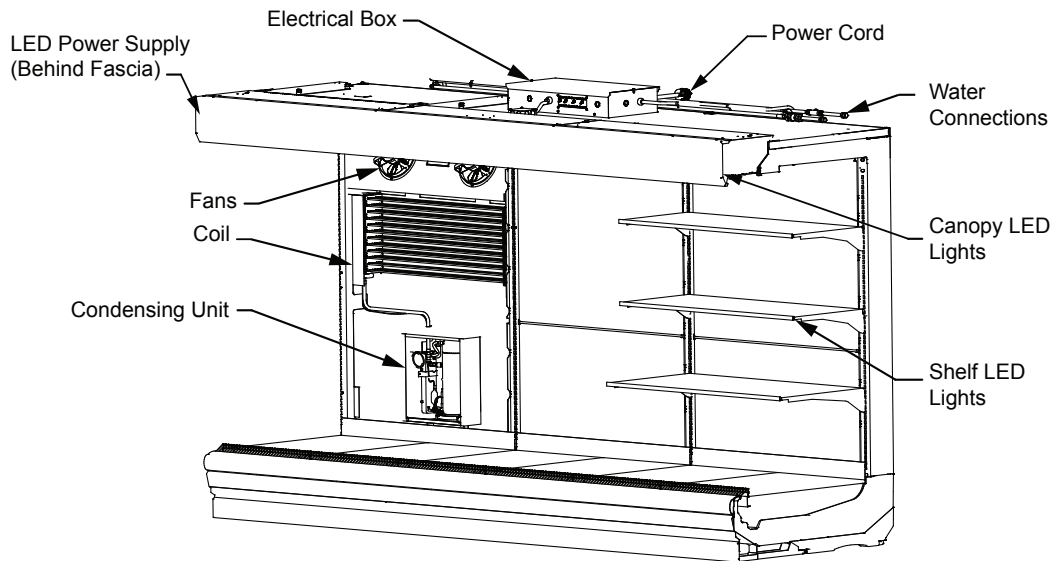
R290 (Propane)

Merchandise Data Sheet

P/N 3047946_E

UL EPH[®] Certified

February 2019



*Coils, fans and condensing units are modular with one per 3 or 4 foot section.

Portion of parts removed for clarity.

12 foot merchandiser shown.

Insight standard electrical connections are at the top left of the merchandiser

UL EPH Certification

This merchandiser model is manufactured to meet ANSI/SCC Standards requirements for construction, materials, and cleanability.

IMPORTANT

ONE FLOOR DRAIN IS REQUIRED FOR EACH CASE.

Performance Data	Page 2	Estimated Shipping Weights	Page 6
Product Data (AHRI Statistics)	Page 2	Shelf Options	Page 6
Cross Section	Page 3	Replacement Parts List	Page 7
Plan View	Page 4	Wiring Diagrams	Page 8
Electrical Loads	Page 5	Revision History	Page 17

Data sheet-Insight IC5BU-W

We reserve the right to change or revise specifications and product design in connection with any feature of our products. Such changes do not entitle the buyer to corresponding changes, improvements, additions or replacements for equipment previously sold or shipped.

Insight IC5BU-W
Dairy / Delicatessen

Refrigeration Data ¹

IC5BU-W		Optimal Shelf Life
Application		Dairy/Deli/ Beverage/ Produce
Unlit Shelves	Discharge Air °F (°C)	29 (-1.7)
	Average Evaporator °F (°C)	26 (-3.3)
Lit Shelves	Discharge Air °F (°C)	28 (-2.2)
	Average Evaporator °F (°C)	25 (-3.9)
Fan Speed ²	IC5BU6W (8.25")	1300 ²
	IC5BU8W, 12 (8.25")	1500 ²

Notes:

1. All data based on store temperature and humidity that does not exceed NSF Type 1 ambient conditions of 75°F and 55% relative humidity, except where noted.
2. Some lengths and/or applications require optional fan speed control kits applied by the Hussmann Product Configurator.
3. Water supply design conditions are 41 to 118°F (5 to 48°C).

Compressor Data

Total Heat of Rejection	BTU/Hr
6 ft	12,685
8 ft	16,913
12 ft	25,390

Defrost Data

Frequency (hours between defrost)	4
OFFTIME	IC5BU-W
Time (minutes)	20
ELECTRIC OR GAS	Not Available
Defrost Water ⁴	8.1 lb/ft/day (12 kg/m)

⁴ (± 15% based on case configuration and product loading).

Glycol/Water Flow Rate ⁵

	IC5BU-W	
	GPM	LPM
6 ft	4.0	15.1
8 ft	4.0	15.1
12 ft	6.0	22.7

⁵ Use a pre-mixed inhibited glycol solution. If the mixing is to be done on site, use only distilled or de-ionized water (do not use city water).

Charge ⁶

	IC5BU-W		
6 ft	0.66 lb	11 oz	300 g
8 ft	0.66 lb	11 oz	300 g
12 ft	0.99 lb	16 oz	450 g

⁶ Maximum charge per condensing unit = 150 g.

Product Data

Gross Refrigerated Volume⁷ (Cu Ft/Ft)	12.9 ft ³ /ft (1.20 m ³ /m)
AHRI Total Display Area⁸ (Sq Ft/Ft)	5.1 ft ² /ft (1.55 m ² /m)
Shelf Area⁹ (Sq Ft/Ft)	8.2 ft ² /ft (2.49 m ² /m)

⁷ AHRI Gross Refrigerated Volume: Refrigerated Volume/Unit of Length, ft³/ft [m³/m]

⁸ Computed using AHRI 1200 standard methodology: Total Display Area, ft² [m²]/Unit of Length, ft [m]

⁹ Shelf surface area is composed of bottom deck plus standard shelf complement for this model: (2) 20-inch, (1) 24-inch shelves, evenly distributed vertically.

Insight Multideck Merchandiser, 5 Display Levels,
Bulk Bottom, Ultra Low Height Front, Water-cooled,
Self-Contained R290 (Propane)

Insight IC5BU-W
Dairy / Delicatessen

DOE 2017
Energy Efficiency
Compliant

Husmann refrigerated merchandisers configured for sale for use in the United States meet or surpass the requirements of the DOE 2017 energy efficiency standards.

Shelf complement shown as tested:

Three rows of shelves (20-in, 20-in, 24-in) spaced equally between bottom display pan and interior top panel.

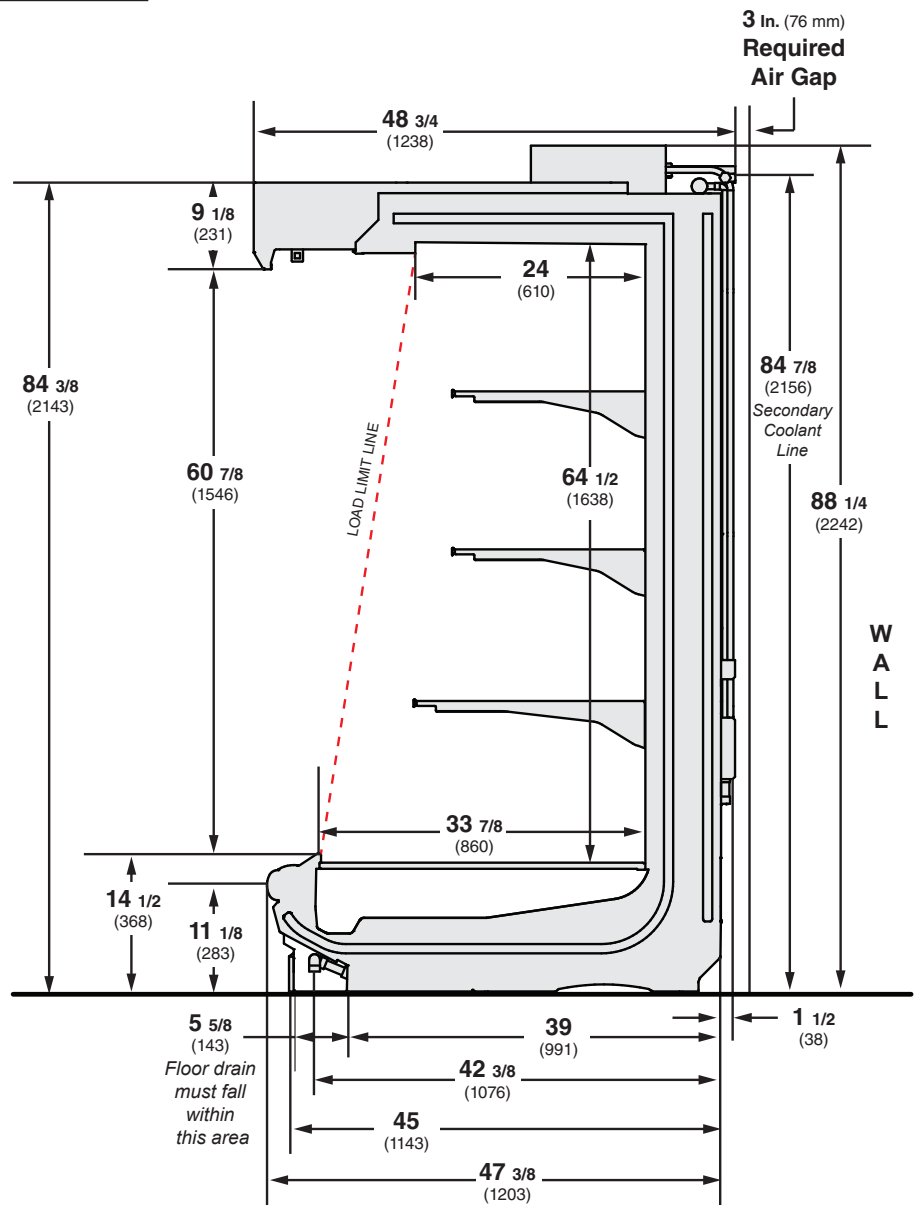
IC5BU-W

Dimensions shown as in. and (mm).

Other optional kits (top piping and vent fans) add to the overall case height.

A minimum 1 1/2-in. clearance required to remove raceway cover, 6 1/2-in. for full access. See the Installation manual for instructions.

3-in. between back to back cases.



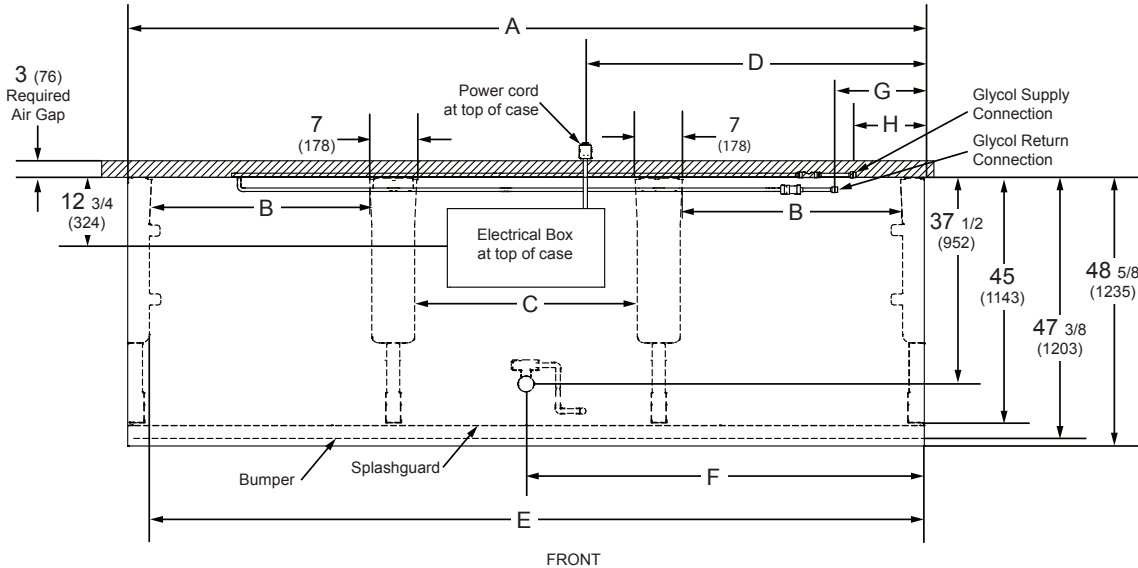
UL EPH Certification

This merchandiser model is manufactured to meet ANSI/SCC Standards requirements for construction, materials, and cleanability.

Engineering Plan View

IC5BU-W

Dimensions shown as in. and (mm).



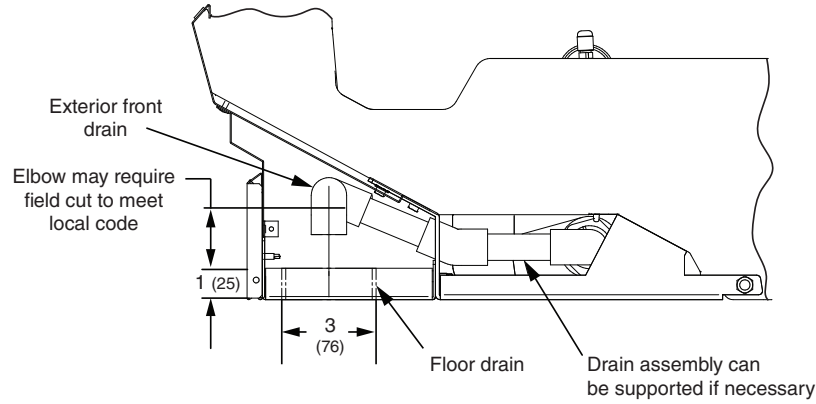
(12 Foot Model shown above)

	6 ft	8 ft	12 ft
General			
(A) Case Length (<i>without ends or partitions</i>) (<i>Each end and insulated partition adds 1 1/2 in. (38 mm) to case line up.</i>)	72 1/4 (1835)	96 1/4 (2445)	144 3/8 (3668)
Maximum O/S dimension of case back to front (<i>includes bumper</i>)	48 5/8 (1235)	48 5/8 (1235)	48 5/8 (1235)
Back of case to front of splashguard	45 (1143)	45 (1143)	45 (1143)
(B) Distance between edges of external legs and center legs	29 (737)	41 (1041)	41 (1041)
(C) Distance between edges of center legs	NA	NA	41 1/8 (1045)
Distance between front legs and splashguard	18 (457)	18 (457)	18 (457)
Electrical Service (<i>Field Electrical Wiring Connection</i>)			
(D) RH End of case to center of Electrical Wiring Connection (<i>top of case</i>)	9 (229)	13 1/8 (333)	61 1/2 (1562)
Back of case to center of Electrical Wiring Connection	12 3/4 (324)	12 3/4 (324)	12 3/4 (324)
Length of electrical wireway	33 1/2 (851)	45 7/8 (1165)	45 7/8 (1165)
(E) RH end of case to LH end of electrical wireway (<i>top of case</i>)	70 1/2 (1791)	94 1/2 (2400)	142 5/8 (3630)
Waste Outlets (<i>with required drain extension</i>)			
(F) RH End of case to the center of waste outlet	24 1/8 (613)	24 1/8 (613)	72 1/4 (1835)
Back O/S of case to center of waste outlet(s)	42 3/8 (1076)	42 3/8 (1076)	42 3/8 (1076)
Schedule 40 PVC drip pipe	1 1/4 (32)	1 1/4 (32)	1 1/4 (32)
Refrigeration Outlet			
(G) RH End of case to glycol/water outlet	9 1/2 (241)	15 1/2 (394)	15 3/4 (400)
(H) RH End of case to glycol/water inlet	6 1/2 (165)	12 1/4 (311)	12 3/8 (314)

Waste Outlet Drain Extension Option

Insight IC5BU-W
Dairy / Delicatessen

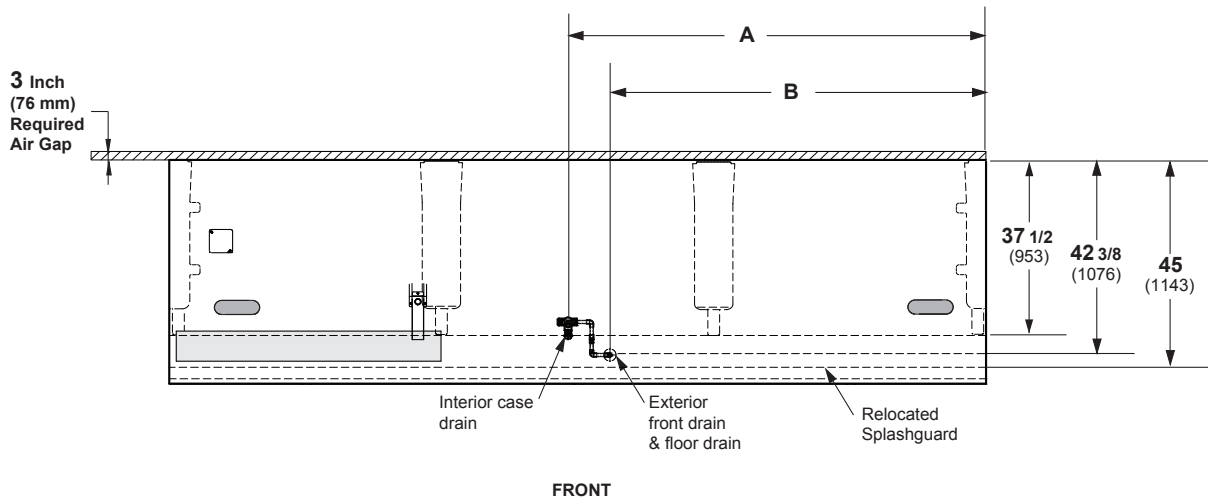
Drain Extension Option (Partial End View)



IMPORTANT: If hub drain is used in lieu of flush floor sink, a drain extension kit must be installed. Hub drains must be located in front of the waste outlet to achieve adequate air gap.

Engineering Plan View

Dimensions shown as in. and (mm).



(12 Foot Model shown above)

	4 ft	6 ft	8 ft	12 ft
Waste Outlet Drain Option				
(A) RH of case to center of interior case drain	24 1/8 (613)	24 1/8 (613)	24 1/8 (613)	72 1/4 (1835)
(B) RH of case to center of exterior front drain and floor drain	13 3/4 (349)	13 3/4 (349)	13 3/4 (349)	61 7/8 (1572)

Electrical Data

Number of Fans	6 ft	8 ft	12 ft
8.25-in.	4	4	6

	Amperes			Watts		
	6 ft	8 ft	12 ft	6 ft	8 ft	12 ft
Evaporator Fan						
120V 60Hz Energy Efficient	1.60	1.60	2.40	102	102	153

Condensing Unit (208V, 3 ph, 60 Hz) Standard

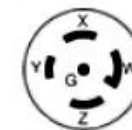
NOTE: One compressor can start at a time.

Compressor RLA	10.0	10.0	15.0
Compressor LRA	58/unit	58/unit	58/unit

NEMA Plugs



L21-20P



L21-30P

Merchandiser Circuit Requirements (208V, 3 Ph, 60 Hz)

Total Amps	12.6	12.9	19.4
MCA	13.8	14.1	20.6
Maximum Over Current Protection	20	30	30

Electrical Plug - NEMA	L21-20	L21-30	L21-30
-------------------------------	--------	--------	--------

ONLY LIGHTING CONFIGURATIONS THAT ARE COMPLIANT WITH THE U.S. DEPT. OF ENERGY (DOE) 2017 REGULATION ARE AVAILABLE FOR SALE FOR USE IN THE U.S.A.

STANDARD LIGHTING

EcoShine II Canopy

1 Row EcoShine II	0.26	0.32	0.48	31.6	38.6	58.0
-------------------	------	------	------	------	------	------

OPTIONAL LIGHTING

EcoShine II Canopy

1 Row EcoShine II HO	0.33	0.44	0.66	39.5	53.0	79.4
----------------------	------	------	------	------	------	------

EcoShine II Shelf

1 Row of Shelves	0.12	0.16	0.25	14.1	19.8	29.7
2 Rows of Shelves	0.23	0.33	0.49	28.2	39.5	59.3
3 Rows of Shelves	0.35	0.49	0.74	42.3	59.3	89.0
4 Rows of Shelves	0.47	0.66	0.99	56.4	79.1	118.6
5 Rows of Shelves	0.59	0.82	1.24	70.5	98.9	148.3
6 Rows of Shelves	0.70	0.99	1.48	84.5	118.6	178.0

120V Lighting Circuit Total = Standard Lighting + Total Optional Lighting + Optional Shelf Lighting

ENDS or PARTITIONS
Each standard end and each insulated partition adds 1 1/2 in. (38 mm) to case line up. Optional view end with end bumper adds 3 3/4 in. (95 mm).

PHYSICAL DATA
Merchandiser Drip Pipe (in.) 1 1/4
Schedule 40 PVC

ESTIMATED SHIPPING WEIGHT †				
Case	6 ft	8 ft	12 ft	Solid End (each)
lb (kg)	1300 (591)	1500 (682)	2000 (909)	120 (55)
† Actual weights will vary according to optional kits included.				

Shelf Options

Approved shelf sizes for standard (horizontal, 2-3 position brackets) displays:

- 18-inch
- 20-inch
- 22-inch
- 24-inch

Contact engineering for non-standard (4 position brackets or other) display recommendations.

Minimum number of Shelves:3

Optimal number of Shelves:4

Maximum number of Shelves:8

Maximum number of Lighted Shelves:6

Standard shelf complement for test purposes: (2) 20-in., (1) 24-in. shelves, evenly distributed vertically

Replacement Parts List

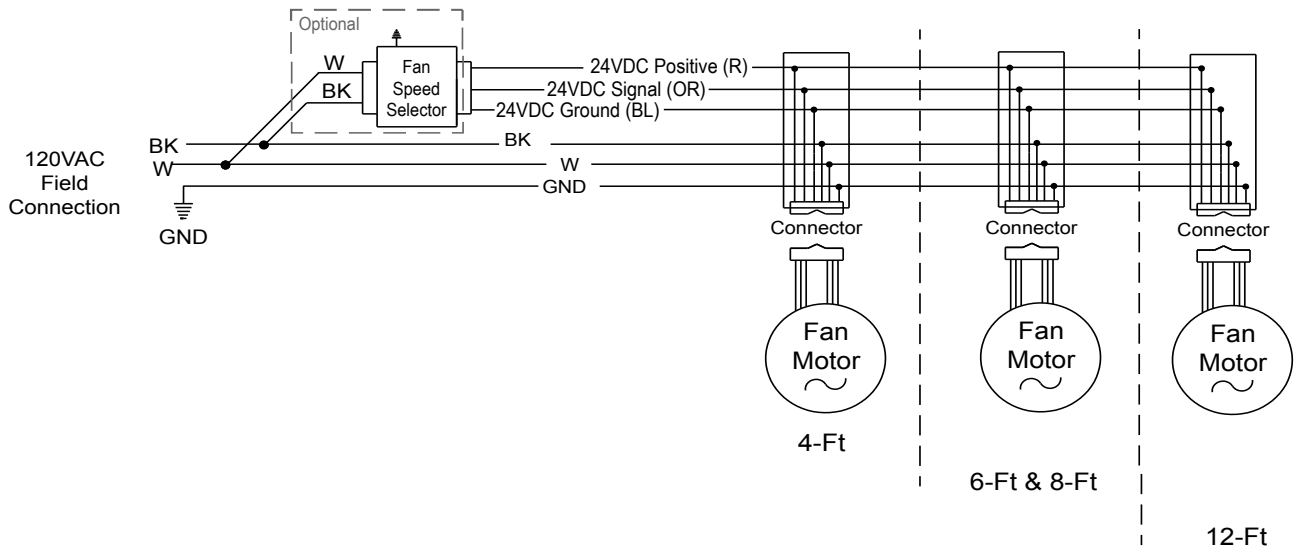
Part #	Description	Part #	Description
FAN ASSEMBLIES		HONEYCOMB - WHITE	
4 Ft, 6 Ft, 8 Ft & 12 Ft		0536831	4 ft, 8 ft, 12 ft
Standard HE Fan Assembly		0536829	6 ft only
0535563	8.25-in. Fan Assembly	RELAYS	
0534013	Fan Speed Selector	3047275	Lights
0534357	Fan Speed Key 1300 RPM (6 ft)	3049121	Fans / Night curtain
0534361	Fan Speed Key 1500 RPM (8 ft, 12 ft)	3050554	Compressors
LED FIXTURES AND POWER SUPPLY		CORELINK CONTROL	
0501213	Power Supply	0554376	CoreLink Controller
	LED Canopy Fixture	3017903	XEV20D Expansion Board (12 ft only)
	<i>Replace with like fixtures.</i>	3013759	Discharge Air Sensor
	LED Shelf Fixture	0005226	Compressor Discharge Sensor
	<i>Replace with like fixtures.</i>	OTHER	
	LED Rail Fixture	3026484	8ft, 12 ft Compressor - ZB10
	<i>Replace with like fixtures.</i>	3036087	6ft Compressor - ZB09
COILS		3026481	Heat Exchanger
0534323	4 ft, 8 ft, 12 ft	0527748	Strainer, Water
0534322	6 ft only	3040939	Balancing Valve, 6 GPM (12 ft)
		3040940	Balancing Valve, 4 GPM (6 & 8 ft)
		0530462	Filter/drier
		3048494	Capillary Tube
		3047251	20 AMP Breaker
		3047536	15 AMP Breaker, 3 pole

NOTE: For LED lighting parts contact your Husmann service representative at 1-800-922-1919. Please have your model and serial number available. Descriptions including size and color are at [HTTP://WWW.HUSSMANN.COM/EN/PRODUCTS/LED-LIGHTING/PAGES/DEFAULT.ASPX](http://www.husmann.com/en/products/led-lighting/pages/default.aspx).

FOR ADDITIONAL PARTS INFORMATION, VISIT [HTTP://WWW.HUSSMANN.COM/EN/PAGES/AFTERMARKET-PARTS.ASPX](http://www.husmann.com/en/pages/aftermarket-parts.aspx)

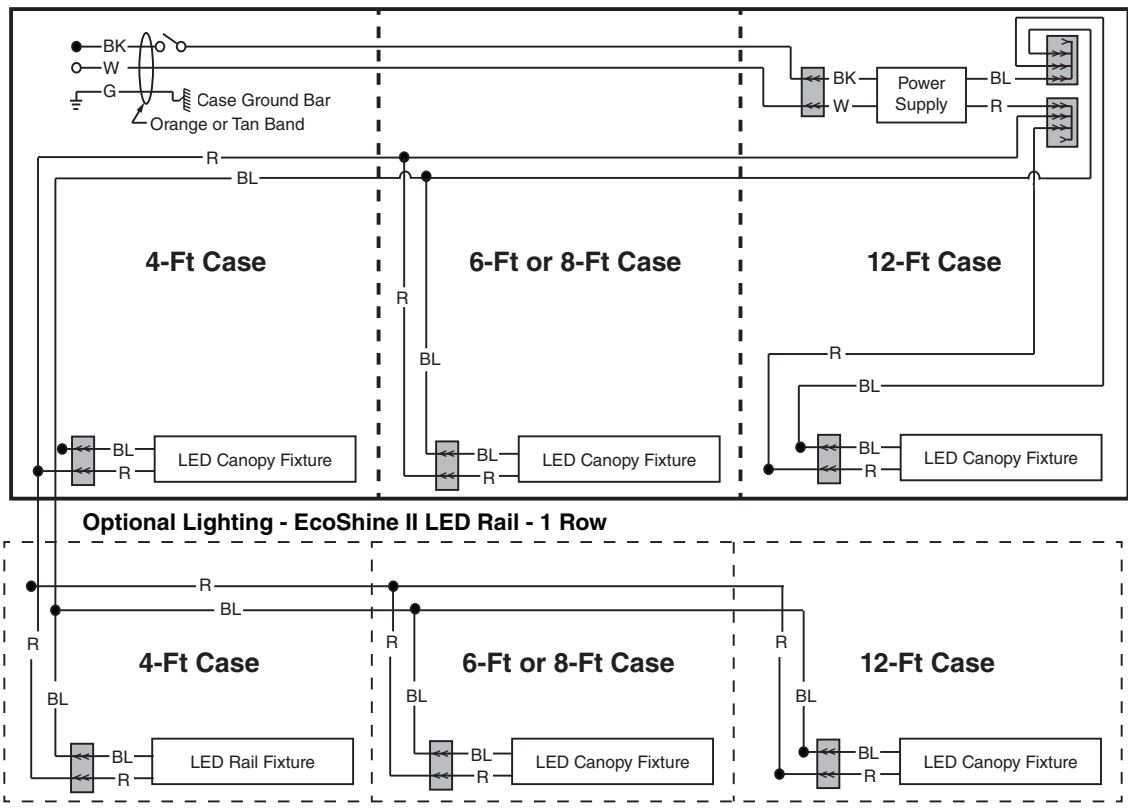
Fan Wiring Offtime Defrost

Insight IC5BU-W
Dairy / Delicatessen



LED Canopy Light Circuits

EcoShine II LED Canopy Lighting - 1 Row

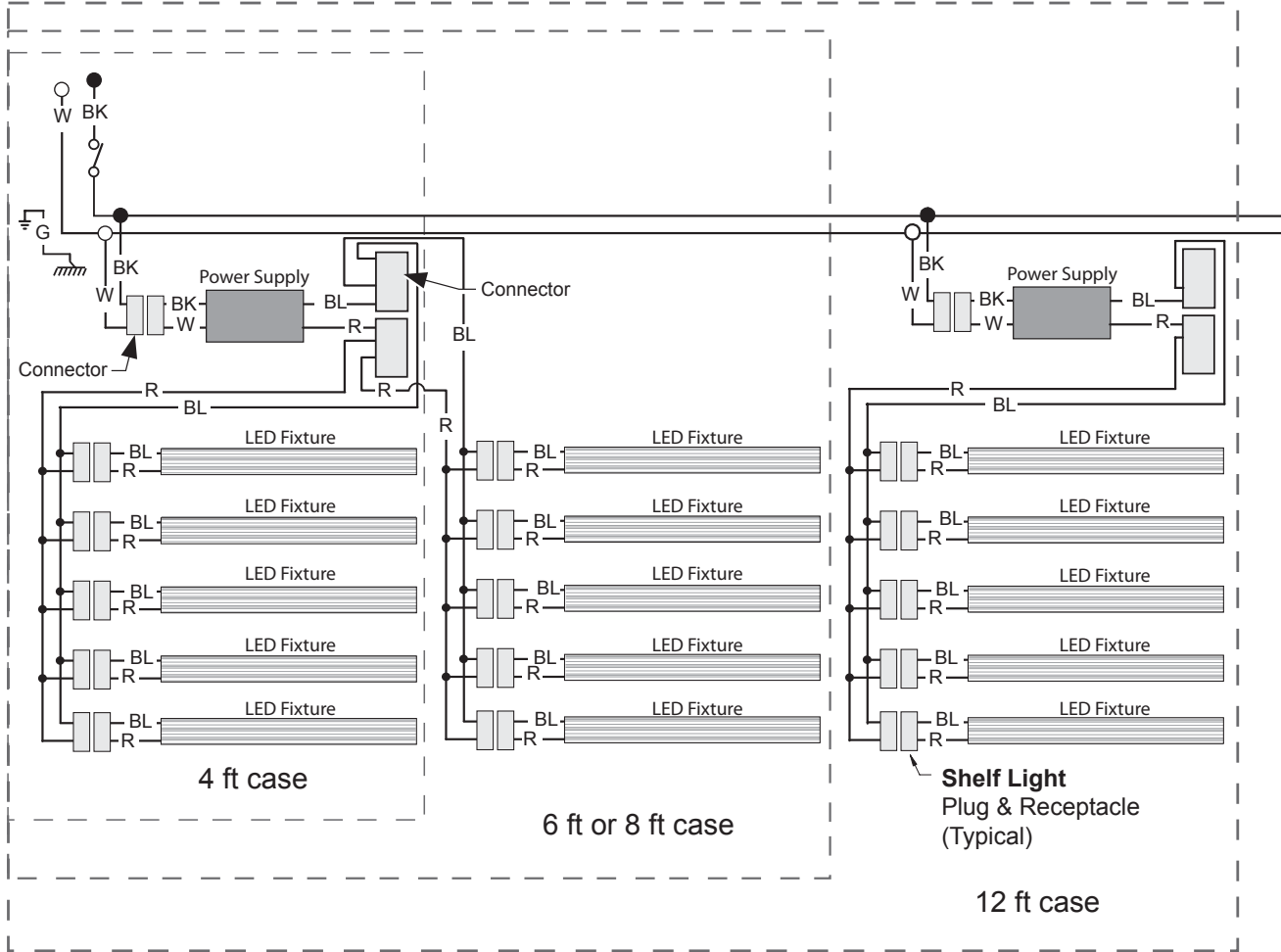


WARNING

All components must have mechanical ground, and the merchandiser must be grounded.

R = Red Y = Yellow G = Green BL = Blue BK = Black W = White
● = 120V POWER ○ = 120V NEUTRAL ⚡ = FIELD GROUND = CASE GROUND

Optional Shelf Harness and LED Light Circuits for 4 or 5 Rows of Shelves

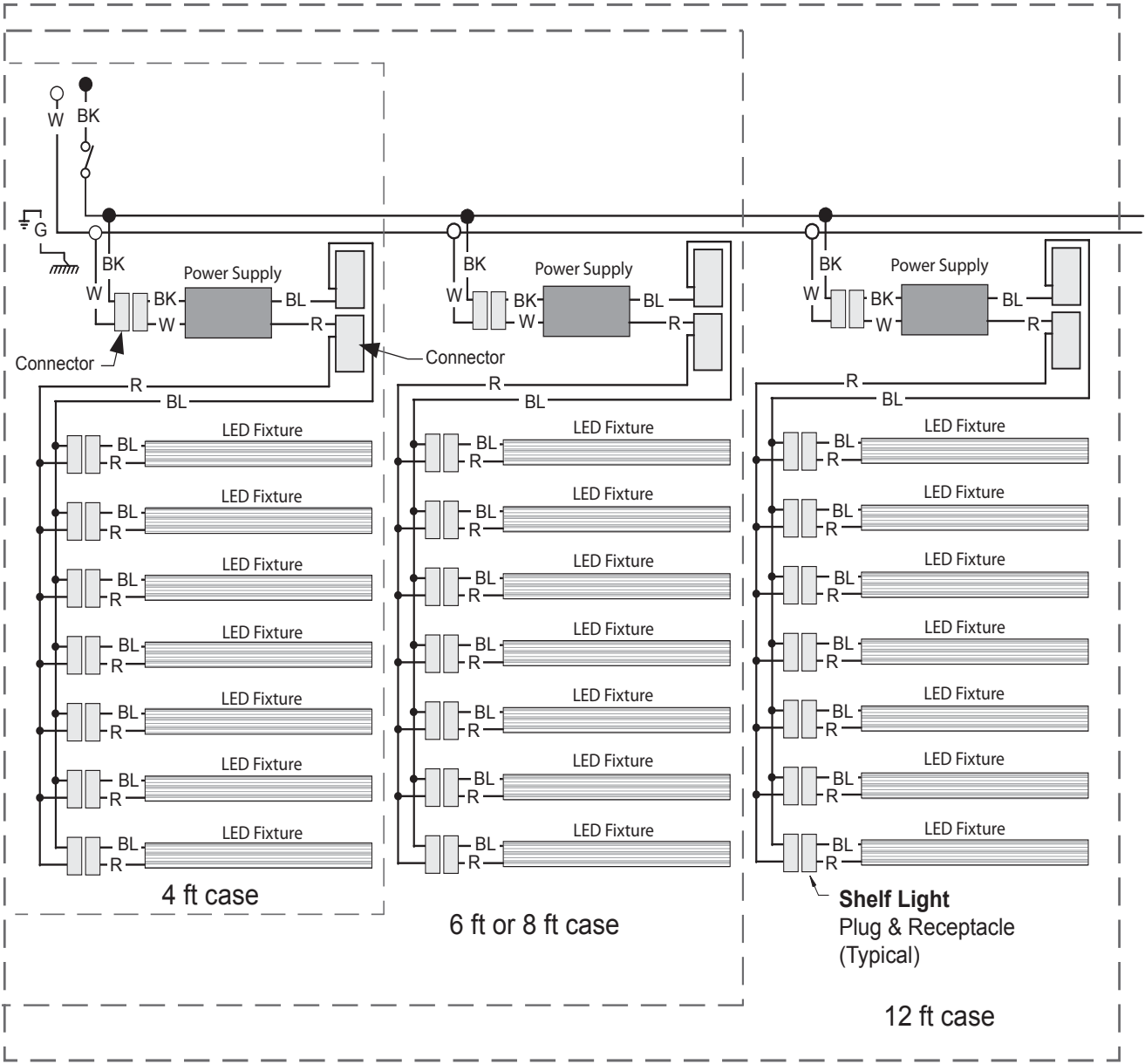


WARNING

All components must have mechanical ground, and the merchandiser must be grounded.

R = Red Y = Yellow G = Green BL = Blue BK = Black W = White
 ● = 120V POWER ○ = 120V NEUTRAL ⊥ = FIELD GROUND ≡ = CASE GROUND

Optional Shelf Harness and LED Light Circuits for 6 or 7 Rows of Shelves

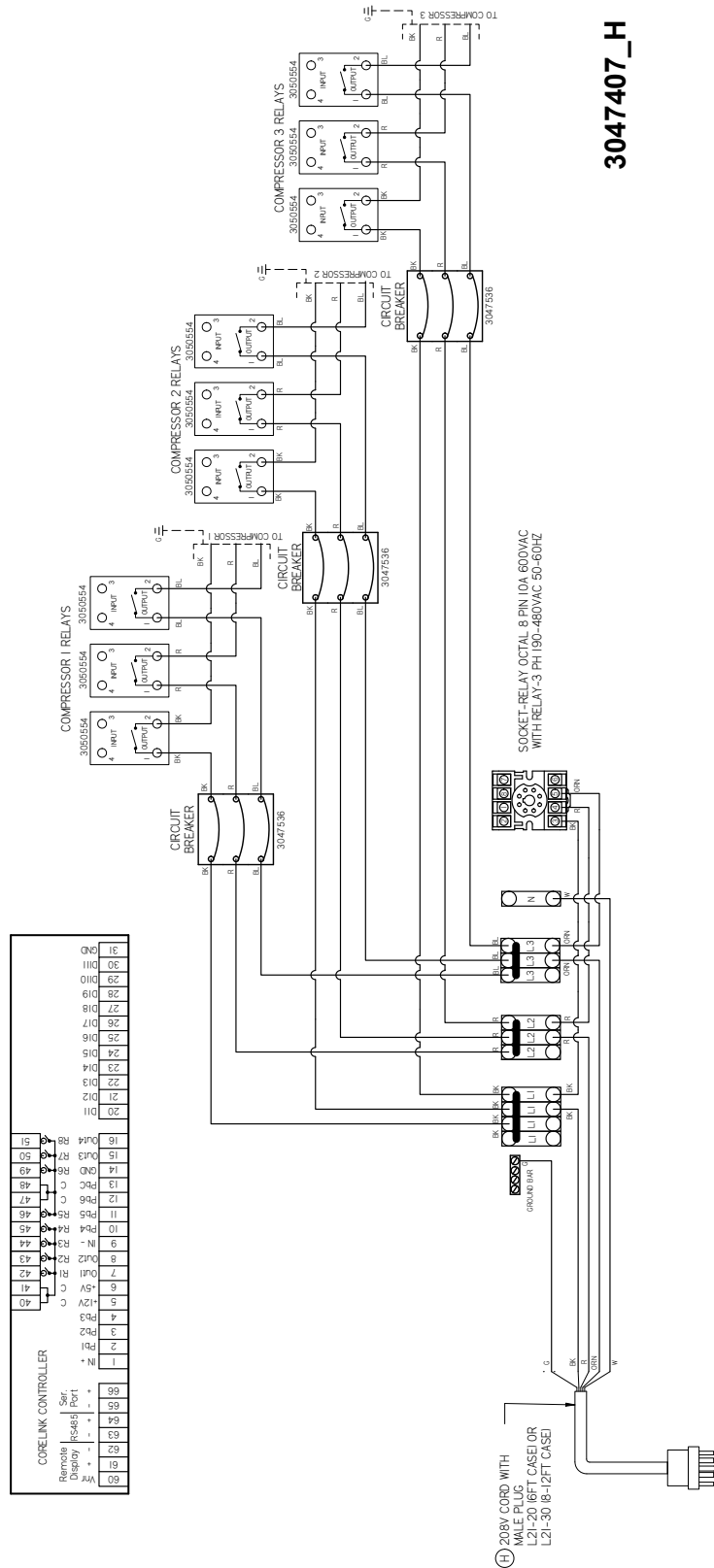


WARNING

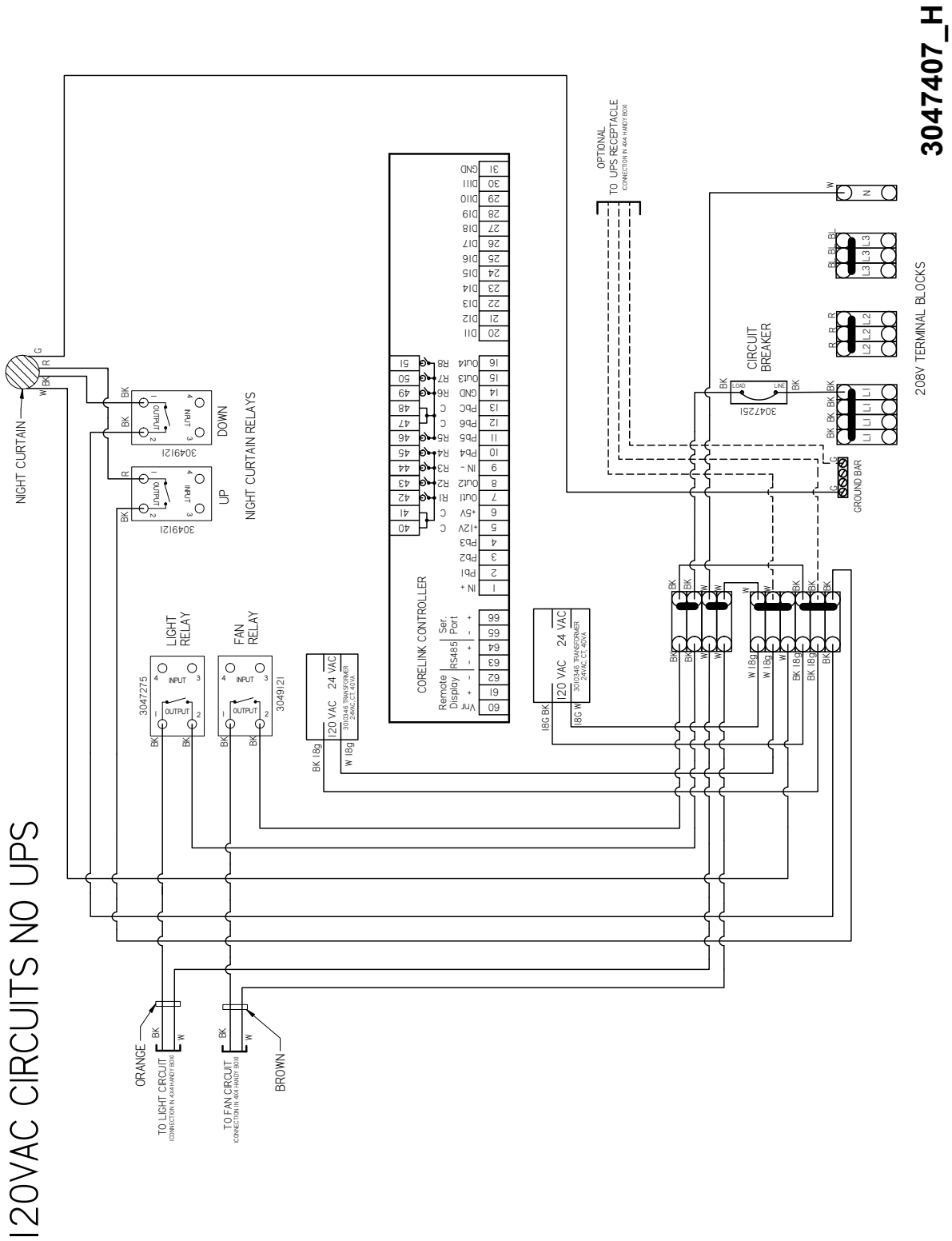
All components must have mechanical ground, and the merchandiser must be grounded.

- R = Red Y = Yellow G = Green BL = Blue BK = Black W = White
 ● = 120V POWER ○ = 120V NEUTRAL ⊥ = FIELD GROUND ≡ = CASE GROUND

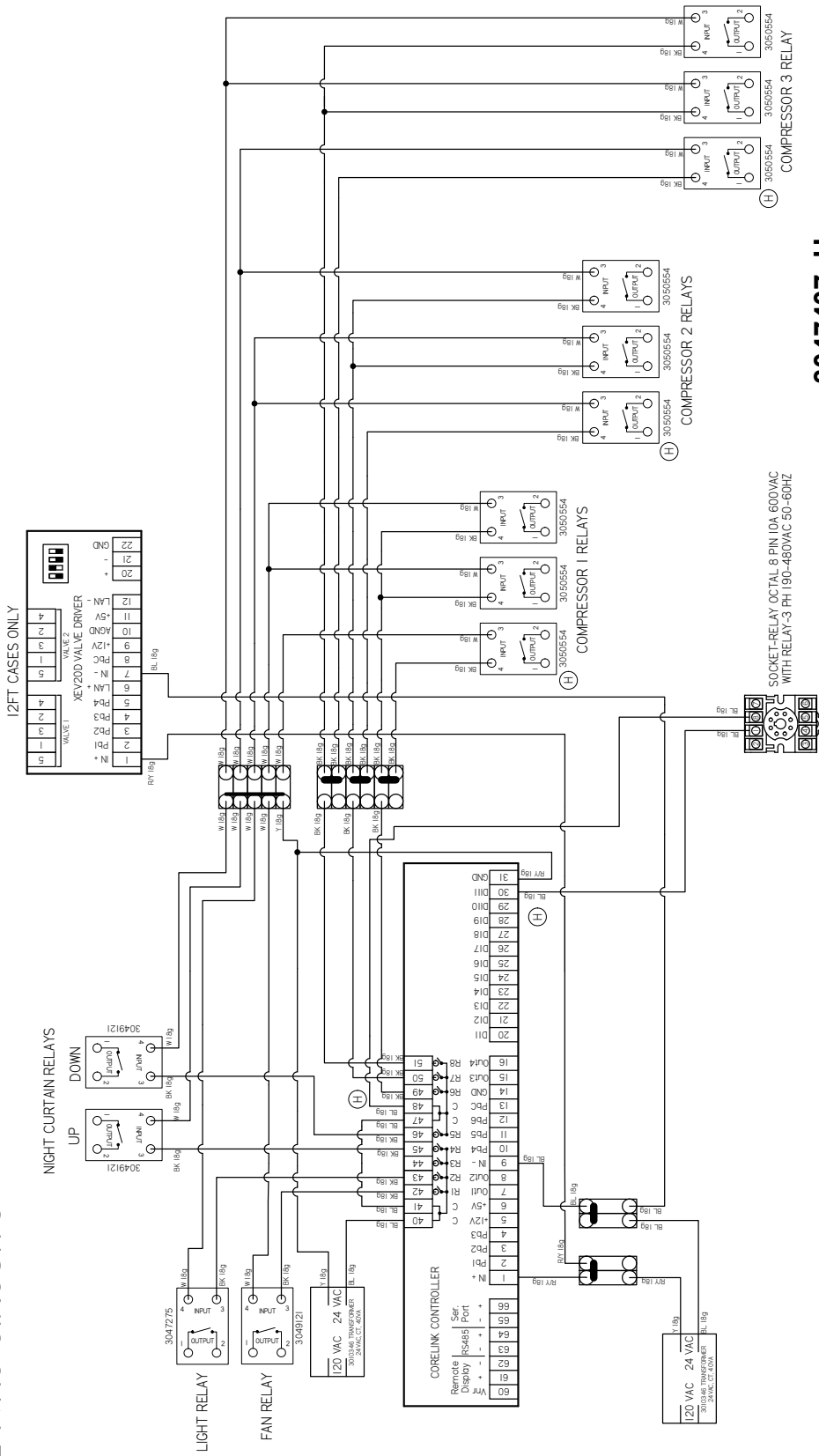
208VAC CIRCUITS



3047407_H



24VAC CIRCUITS

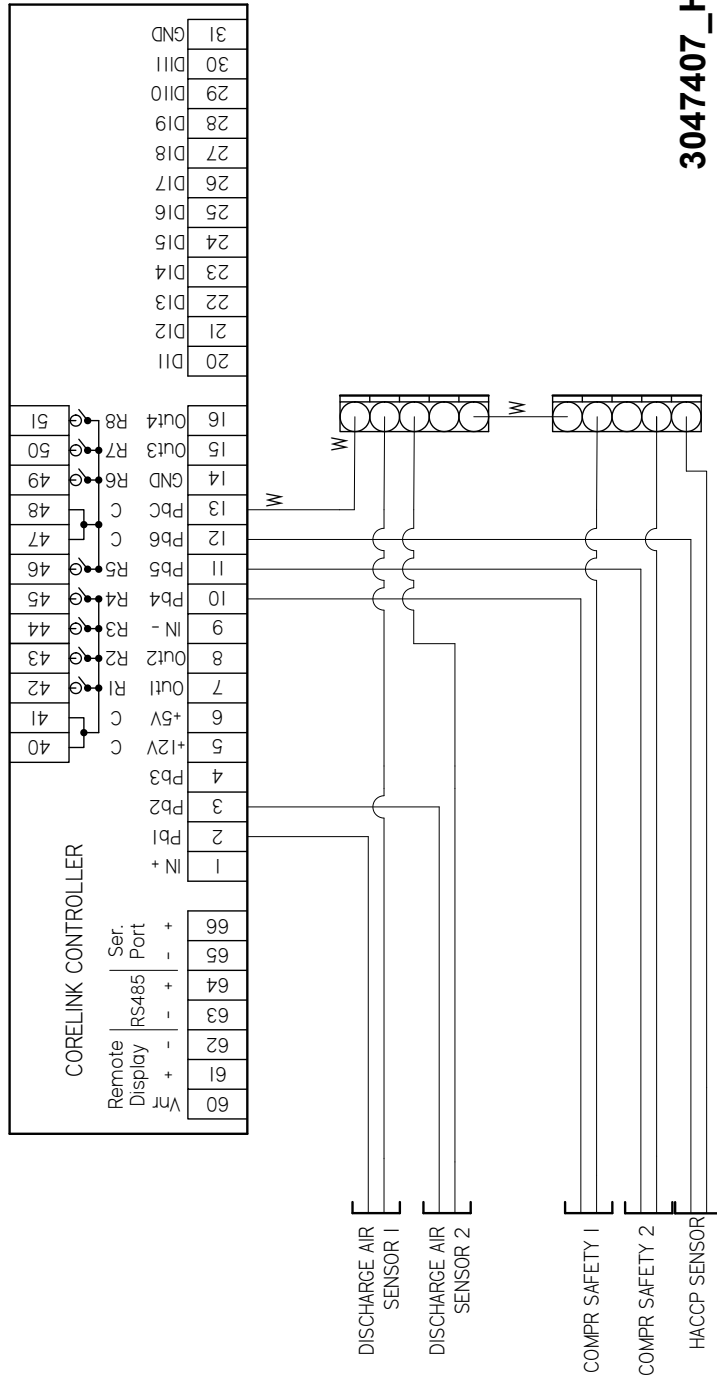


3047407_H

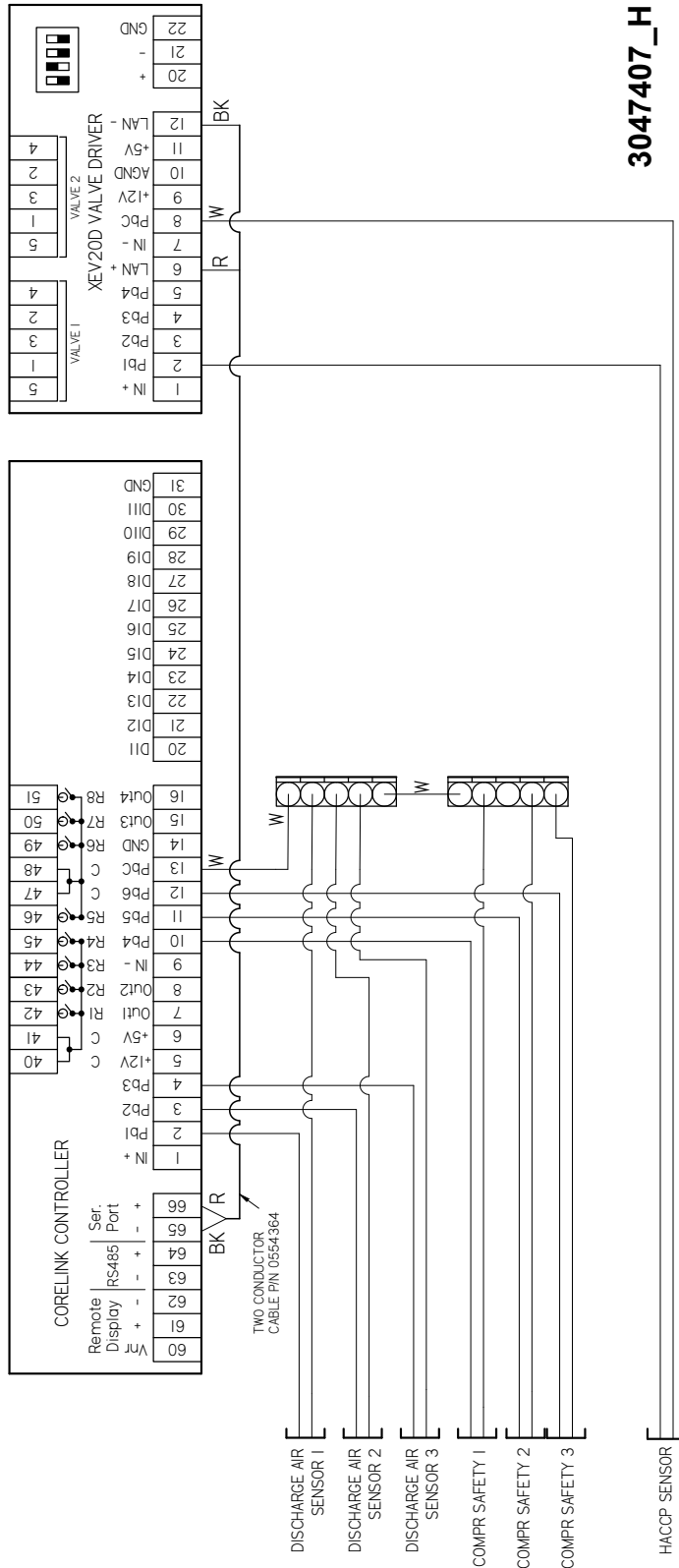
CoreLink Propane Wiring

Insight **IC5BU-W**
Dairy / Delicatessen

SENSORS 6FT/8FT



SENSORS 12FT





Scan QR code to
access product
information on your
mobile device.

Revision History

Revision A: January 2018: Original Issue

Revision B: January 2018: Updated logos and replacement parts.

Revision C: May 2018: Removed NSF references.

Revision D: November 2018: Updated performance data and wiring diagrams.

Revision E: February 2019: Added MicroDS logo.