

# HUSSMANN®

# microDS™

## RLNI-SP

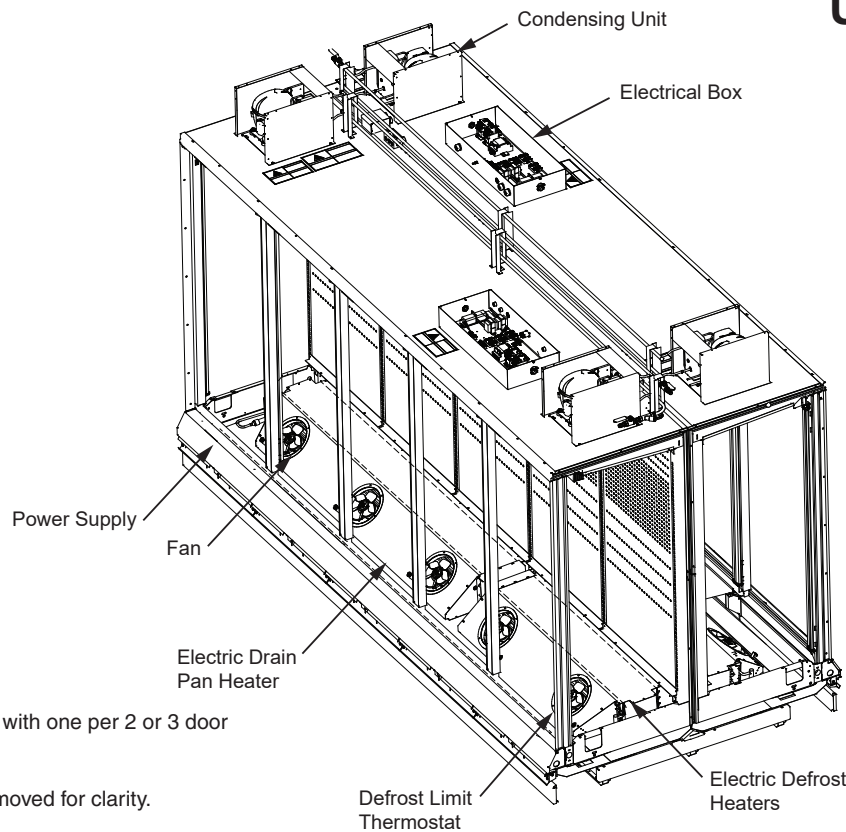
INNOVATOR Doors or  
INNOVATOR II Doors  
Self-Contained  
R290 (Propane)

Merchandise Data Sheet

P/N 3036862\_D

UL EPH® Certified

February 2019



\*Coils are modular with one per 2 or 3 door section.

Portion of parts removed for clarity.

5-door merchandiser shown.



### UL EPH Certification

This merchandiser model is manufactured to meet ANSI/SCC Standards requirements for construction, materials, and cleanability.

**Standard electrical connections  
are at the top left of the merchandiser**

Performance Data	Page 2	Estimated Shipping Weights	Page 7
Product Data (AHRI Statistics)	Page 2	Shelf Options	Page 7
Cross Section	Page 3	Replacement Parts List	Page 8
Plan View	Page 4	Wiring Diagrams	Page 9
Electrical Loads	Page 6	Revision History	Page 11

Data sheet-RLNI-SP

We reserve the right to change or revise specifications and product design in connection with any feature of our products. Such changes do not entitle the buyer to corresponding changes, improvements, additions or replacements for equipment previously sold or shipped.

# RLNI-SP

With INNOVATOR or INNOVATOR II Doors  
Low Temperature

## Refrigeration Data <sup>1</sup>

RLNI-SP		Optimal Shelf Life	
Application		Frozen Food (FF)	Ice Cream (IC)
Temperature	Discharge Air °F (°C)	-3 (-19.4)	-12 (-24.4)
	Average Evaporator °F (°C)	-8 (-22.2)	-17 (-27.2)
Fan Speed	RLNI-SP RPM	1550	1550

Notes:

- All data based on store temperature and humidity that does not exceed NSF Type 1 ambient conditions of 75°F and 55% relative humidity, except where noted.
- Water supply design conditions are 45+/-2°F.

## Compressor Data (per side)

<b>Total Heat of Rejection</b>	<b>BTU/Hr</b>
<b>4 Door</b>	7,700
<b>5 Door</b>	9,620

## Defrost Data

Frequency (hours between defrost)	24
Time (minutes)	RLNI-SP 45
Failsafe Temp Termination (°F)	48

**ELECTRIC OR GAS** Electric

**Defrost Water** <sup>3</sup> 1.2 lb/dr/day  
(0.5 kg/m)

<sup>3</sup> (± 15% based on case configuration and product loading).

## Glycol/Water Flow Rate <sup>4</sup>

	RLNI-SP (per side)	
	GPM	LPM
<b>4 Door</b>	2	7.6
<b>5 Door</b>	2.5	9.5

<sup>4</sup> Use a pre-mixed inhibited glycol solution. If the mixing is to be done on site, use only distilled or de-ionized water (do not use city water).

## Charge <sup>5</sup>

	RLNI-SP		
<b>4 Door (LH)</b>	0.27 lb	4.4 oz	125 g
<b>4 Door (RH)</b>	0.27 lb	4.4 oz	125 g
<b>5 Door (LH)</b>	0.27 lb	4.4 oz	125 g
<b>5 Door (RH)</b>	0.33 lb	5.3 oz	150 g

<sup>5</sup> Maximum charge per condensing unit = 150 g.

## Product Data (per side)

<b>Gross Refrigerated Volume</b> <sup>6</sup> (Cu Ft/Ft)	22.80 ft <sup>3</sup> /dr (0.65 m <sup>3</sup> /m)
<b>AHRI Total Display Area</b> <sup>7</sup> (Sq Ft/Ft)	13.04 ft <sup>2</sup> /dr (1.21 m <sup>2</sup> /m)
<b>Shelf Area</b> <sup>8</sup> (Sq Ft/Ft)	28.50 ft <sup>2</sup> /dr (2.65 m <sup>2</sup> /m)

<sup>6</sup> AHRI Gross Refrigerated Volume: Refrigerated Volume/Unit of Length, ft<sup>3</sup>/ft [m<sup>3</sup>/m]

<sup>7</sup> Computed using AHRI 1200 standard methodology: Total Display Area, ft<sup>2</sup> [m<sup>2</sup>]/Unit of Length, ft [m]

<sup>8</sup> Shelf surface area is composed of bottom deck plus standard shelf complement for this model: (5 per door) 22-inch shelves, evenly distributed vertically.

Reach-in Multideck Merchandiser, 6 Display Levels, Low Bottom, Narrow Height Front, Island

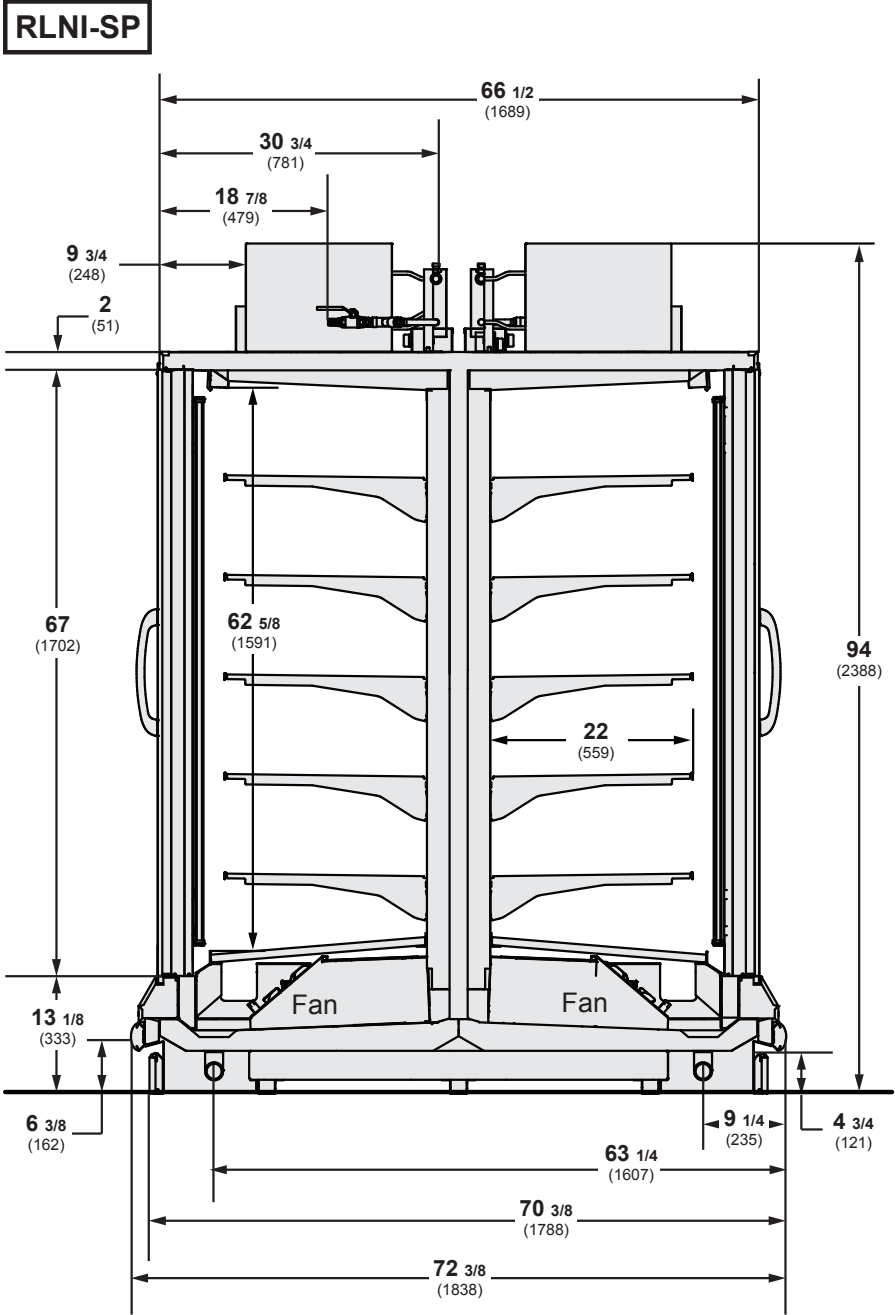
**RLNI-SP**  
With INNOVATOR or INNOVATOR II Doors  
Low Temperature

**DOE 2017**  
Energy Efficiency  
Compliant

Hussmann refrigerated merchandisers configured for sale for use in the United States meet or surpass the requirements of the DOE 2017 energy efficiency standards.

Shelf complement shown as tested:  
  
Five rows of shelves per door (22-in) spaced equally between bottom display pan and interior top panel.

Dimensions shown as in. and (mm).



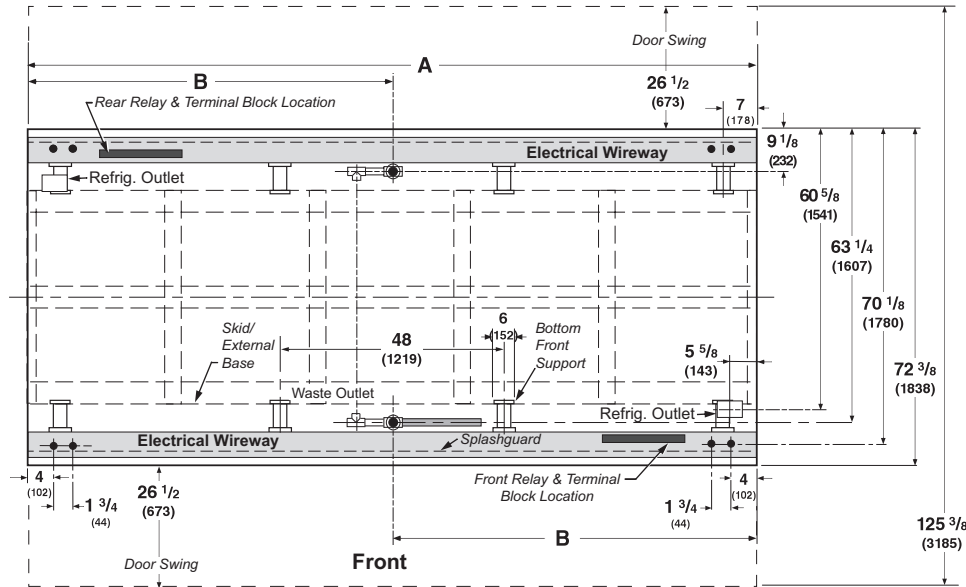
**UL EPH Certification**

This merchandiser model is manufactured to meet ANSI/SCC Standards requirements for construction, materials, and cleanability.

# Engineering Plan View

**RLNI-SP  
4 & 5 Door**

Dimensions shown as in. and (mm).



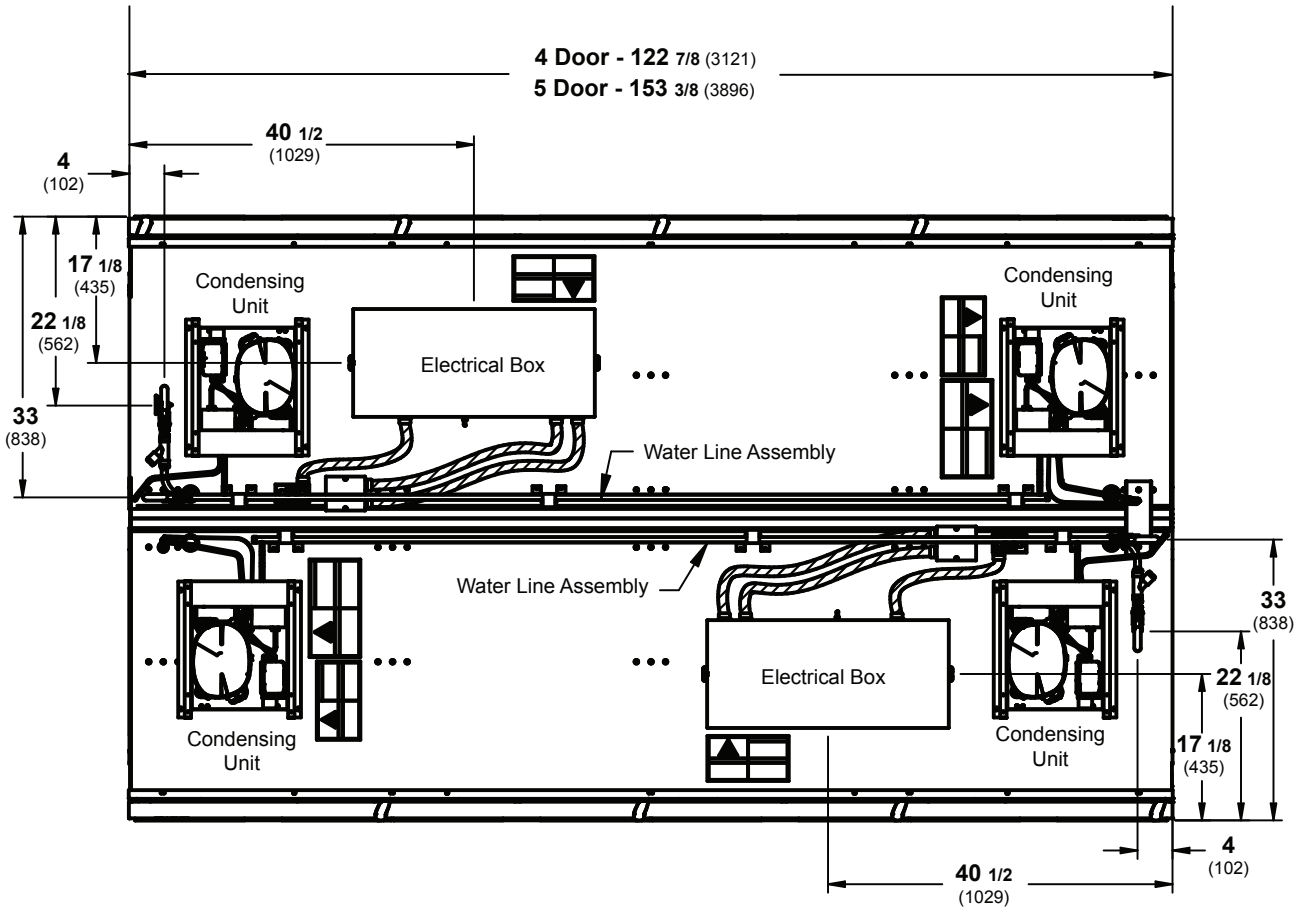
(5 Door Model shown above)

	4 Dr	5 Dr
<b>General</b>		
(A) Case Length (without ends or partitions) (Each solid end adds approximately 2 3/8 in. (60 mm) to length of line up; each partition add approximately 2 3/4 in. (70 mm); case to case joints can add approximately 1/8 in. (3 mm) for gasket material.)	122 7/8 (3121)	153 3/8 (3896)
Maximum O/S dimension of case back to front (includes bumper) (Add 26 1/2 in. (673 mm) for door swing.)	72 3/8 (1837)	72 3/8 (1837)
Back of case to rear of splashguard	68 1/2 (1740)	68 1/2 (1740)
Width of Skidrail	3 3/4 (95)	3 3/4 (95)
Width of bottom front support	6 (152)	6 (152)
Stub-up area between front skidrail and splashguard	9 (229)	9 (229)
<b>Electrical Service (Field Electrical Wiring Connection)</b>		
RH End of case to center of Electrical Wiring Connection (top of case)	26 1/2 (673)	26 1/2 (673)
Back O/S of case to center of Electrical Wiring Connection <i>*NOTE: Electrical Wiring Connection point is at terminal.)</i>	47 1/2 (1207)	47 1/2 (1207)
<b>Waste Outlets (with required drain extension)</b>		
(B) RH End of case to the center of waste outlet	46 1/4 (1175)	76 5/8 (1946)
Back O/S of case to center of waste outlet(s)	63 1/4 (1607)	63 1/4 (1607)
Schedule 40 PVC drip pipe	1 1/4 (32)	1 1/4 (32)
<b>Water Seal</b>		
Edge of water seal to center of waste outlet <i>**NOTE: Field installed water seal outlets, tees, and connectors are shipped with case.</i>	13 (330)	13 (330)

# Engineering Plan View

**RLNI-SP**  
With INNOVATOR or INNOVATOR II Doors  
Low Temperature

## RLNI-SP Top Views



RLNI-SP

# RLNI-SP

With INNOVATOR or INNOVATOR II Doors  
Low Temperature

Hussmann recommends against frame heater cycling with *Innovator* doors or *Innovator III* doors to prevent door seals from freezing to the frames and tearing.

ELECTRICAL DATA IS PER SIDE — TWO CIRCUITS REQUIRED PER CASE.

## Electrical Data

Number of Fans 8.25-in.	4 Dr		5 Dr			
	4	5				
		Amperes		Watts		
Energy Efficient Evaporator Fan	4 Dr	5 Dr	4 Dr	5 Dr		
120V 50/60Hz Innovator	1.20	1.50	72	90		
120V 50/60Hz Innovator III	1.20	1.50	72	90		
Door Anti-Sweat Heaters (on fan circuit)	4 Dr	5 Dr	4 Dr	5 Dr		
120V 50/60Hz Innovator	3.00	3.80	364	455		
120V 50/60Hz Innovator III	1.70	2.20	208	260		
Frame Anti-Sweat Heaters (on fan circuit)	4 Dr	5 Dr	4 Dr	5 Dr		
120V 50/60Hz Innovator	1.57	1.97	188	236		
120V 50/60Hz Innovator III	1.57	1.97	188	236		
Defrost	4 Dr	5 Dr	4 Dr	5 Dr		
120V Drain Heaters	2.00	2.57	240	300		
208V Electric Defrost	13.46	16.82	2800	3500		
Condensing Unit (208/230V, 3 ph, 60 Hz) Standard						
<b>NOTE:</b> One compressor can start at a time.						
Compressor RLA	7.0	7.0				
Compressor LRA	25/unit	25/unit				
Merchandiser Circuit Requirements (208V, 3 Ph, 60 Hz)						
Total Amps	18.0	22.4				
MCA	22.5	28.1				
Maximum Over Current Protection	30	30				

ONLY LIGHTING CONFIGURATIONS THAT ARE COMPLIANT WITH THE U.S. DEPT. OF ENERGY (DOE) 2017 REGULATION ARE AVAILABLE FOR SALE FOR USE IN THE U.S.A.

### STANDARD LIGHTING

EcoShine II	4 Dr	5 Dr	4 Dr	5 Dr		
120V	0.72	0.90	86	108		
220V Export	0.39	0.49	86	108		

### OPTIONAL LIGHTING

GE Illumination	4 Dr	5 Dr	4 Dr	5 Dr		
120V	0.60	0.75	72	90		
220V Export	0.33	0.41	72	90		

**RLNI-SP**  
 With INNOVATOR or INNOVATOR II Doors  
 Low Temperature

**ENDS or PARTITIONS**  
*Each standard end, each insulated partition, view end adds 2 3/8 in. (60 mm) to case line up.*

**PHYSICAL DATA**  
 Merchandiser Drip Pipe (in.) 1 1/4  
 Schedule 40 PVC

**ESTIMATED SHIPPING WEIGHT †**

Case	<i>4 Dr</i>	<i>5 Dr</i>	Solid End <i>(each)</i>
<b>lb (kg)</b>	3160 (1433)	3904 (1771)	110 (50)

† Actual weights will vary according to optional kits included.  
 \*\*NOTE: Case joint add approximately 1/8 to length of lineup for gasket material.

**Shelf Options**

Approved shelf sizes for standard (horizontal, 2 position brackets) displays:

20-inch, 22-inch

Contact engineering for non-standard display recommendations.

Optimal number of Shelves: 5 per door

Maximum number of Shelves: 5 per door

Standard shelf complement for test purposes: (5 per door) 22-inch shelves, evenly distributed vertically

# RLNI-SP

With INNOVATOR or INNOVATOR II Doors  
Low Temperature

## Replacement Parts List

Part #	Description	Part #	Description
<b>FAN ASSEMBLIES</b>		<b>HONEYCOMB - CLEAR</b>	
<b>2, 3, 4 &amp; 5 Dr</b>		0495287	(4) 4 Dr
<b>Standard HE Fan Assembly</b>		0495262	(4) 5 Dr
0529672	8.25-in. Fan Assembly	<b>RELAYS</b>	
0527610	Fan Motor, Evaporator	3047277	Defrost Relay
0461805	Fan Blade	3049121	Fans Relay
<b>LED FIXTURES AND POWER SUPPLY</b>		3047275	Anti-sweat / LED Relay
0499399	Power Supply	<b>CORELINK CONTROL</b>	
	LED Canopy Fixture	5054376	CoreLink Controller
	<i>Replace with like fixtures.</i>	3017903	Expansion Board
	LED Shelf Fixture	3013759	(4) Discharge Air Sensor
	<i>Replace with like fixtures.</i>	3013760	(4) Defrost Sensor Harness
<b>HEATERS</b>		0005226	Compressor Discharge Sensor
<b>Electric Defrost</b> Front or Rear (208V)		<b>OTHER</b>	
3020841	(8) 4 Dr, (4) 5 Dr	3047251	(2) Side Circuit Breaker
3020842	(4) 5 Dr	0528933	(4) Condensing Unit
<b>Drain Pan Heater</b> Electric (120V)		0528947	(4) Capillary Tube (0.064 ID x 142 in. long)
0389038	(2) 4 Dr		
0387039	(2) 5 Dr		

**NOTE: For LED lighting parts contact your Hussmann service representative at 1-800-922-1919. Please have your model and serial number available. Descriptions including size and color are at [HTTP://WWW.HUSSMANN.COM/EN/PRODUCTS/LED-LIGHTING/PAGES/DEFAULT.ASPX](http://www.hussmann.com/en/products/led-lighting/pages/default.aspx).**

**Refer to INNOVATOR REACH-IN GLASS DOOR INSTALLATION AND SERVICE manual, P/N 0425683, for Innovator, Innovator II, or Innovator III door and frame replacement parts.**

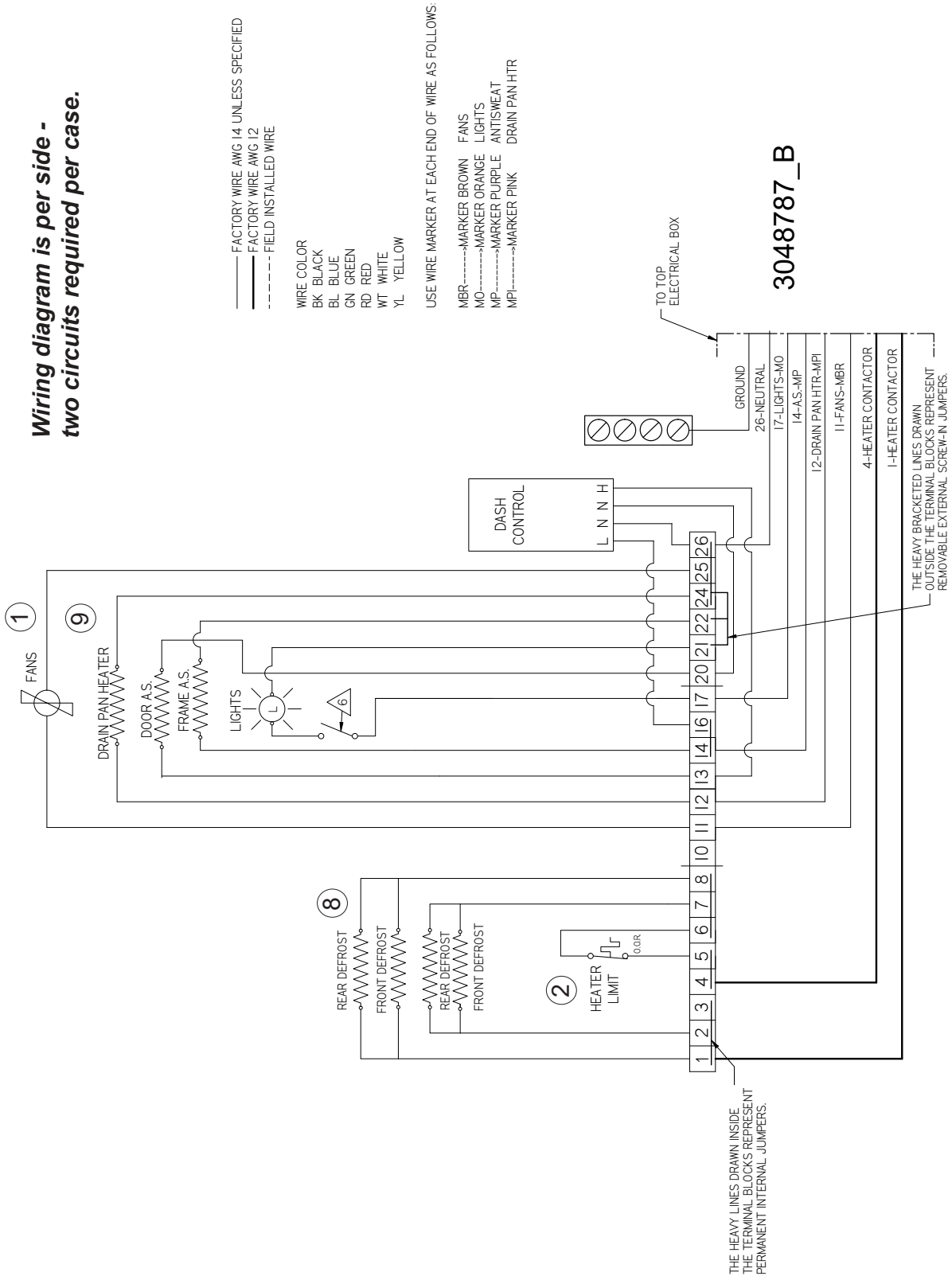
FOR ADDITIONAL PARTS INFORMATION, VISIT [HTTP://WWW.HUSSMANN.COM/EN/PAGES/AFTERMARKET-PARTS.ASPX](http://www.hussmann.com/en/pages/aftermarket-parts.aspx)



# 2-3 Door Wiring Diagram

# RLNI-SP With INNOVATOR or INNOVATOR II Doors Low Temperature

**Wiring diagram is per side -  
two circuits required per case.**



— FACTORY WIRE AWG 14 UNLESS SPECIFIED  
 - - - - - FACTORY WIRE AWG 12  
 - - - - - FIELD INSTALLED WIRE

WIRE COLOR  
 BK BLACK  
 BL BLUE  
 GN GREEN  
 RD RED  
 WT WHITE  
 YL YELLOW

USE WIRE MARKER AT EACH END OF WIRE AS FOLLOWS:  
 MBR-----MARKER BROWN FANS  
 MO-----MARKER ORANGE LIGHTS  
 MP-----MARKER PURPLE ANTISWEAT  
 MPI-----MARKER PINK DRAIN PAN HTR

TO TOP  
 ELECTRICAL BOX

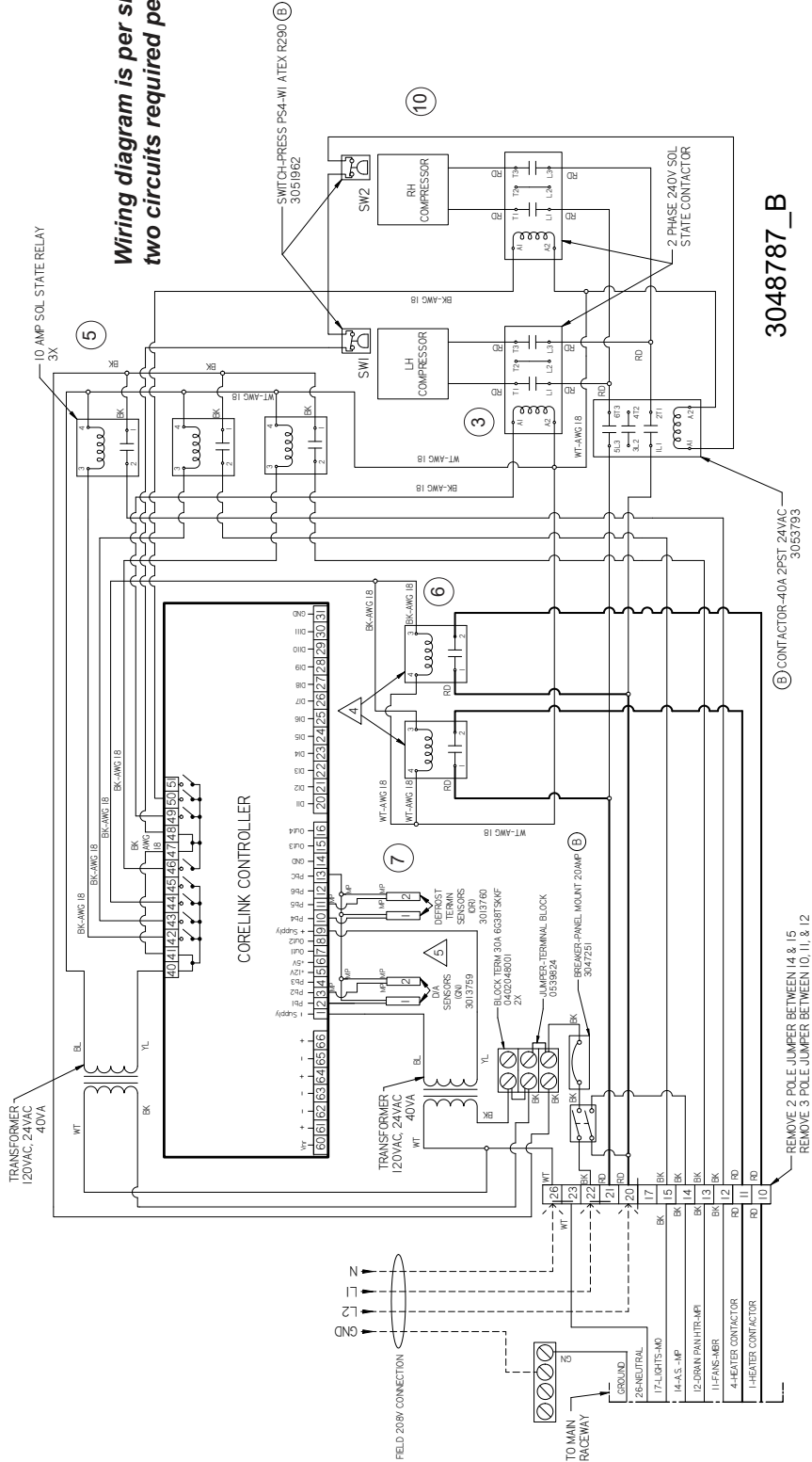
3048787\_B

# RLNI-SP

With INNOVATOR or INNOVATOR II Doors  
Low Temperature

# 4-5 Door Corelink Wiring Diagram

**Wiring diagram is per side -  
two circuits required per case.**





Scan QR code to  
access product  
information on your  
mobile device.

---

### Revision History

Revision A: January 2018: Original Issue

Revision B: May 2018: New format

Revision C: June 2018: Updated shipping weight

Revision D: February 2019: Added MicroDS logo