

Scan QR code to
access product
information on your
mobile device.

We reserve the right to change or revise specifications and product design in connection with any feature of our products. Such changes do not entitle the buyer to corresponding changes, improvements, additions or replacements for equipment previously sold or shipped.

Item	Part #	Description	Wiring Item #	Item	Part #	Description	Wiring Item #
FAN ASSEMBLIES				LED FIXTURES AND POWER SUPPLY			
12 Ft				C.	0501213	Power Supply (EP.4481861)	(5)
A.	12W Standard Energy Efficient Fan Assembly (1)			D.		LED Canopy Fixture	(6)
	0477655	Fan Motor, Evaporator (MO.4410546)				<i>Replace with like fixtures</i>	
B.	0461805	Fan Blade		E.		LED Shelf Fixture	(7)
						<i>Replace with like fixtures</i>	

Data sheet-Excel B5XEC-L

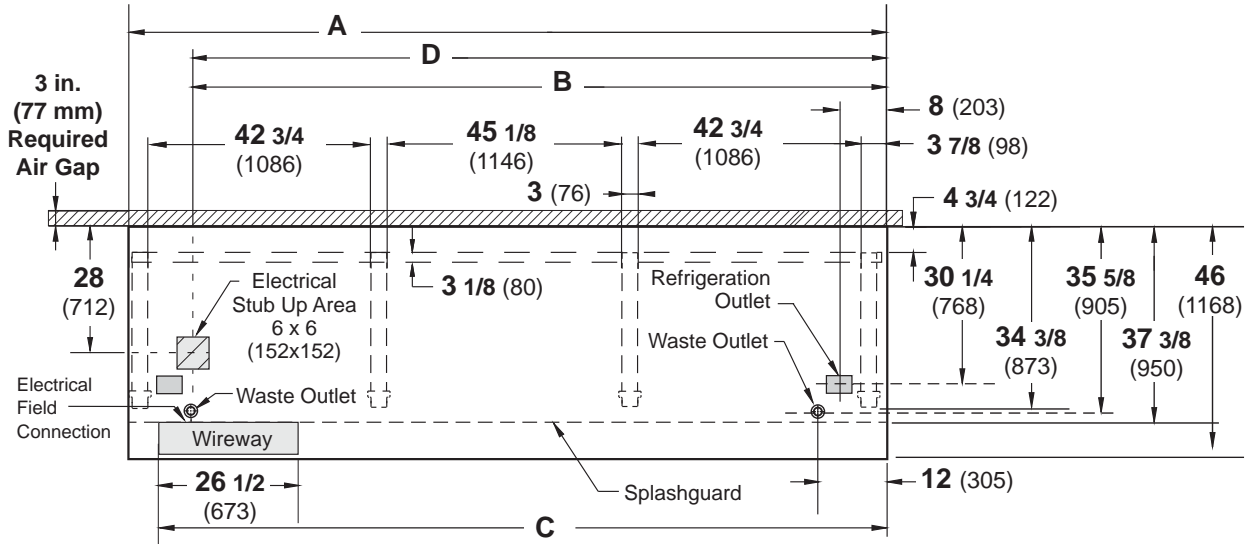
Note: Revision G: April 2017. Updated LED energy values. Other changes marked with a bar, circle or underline.

Engineering Plan Views

PHYSICAL DATA	
Merchandiser Drip Pipe (in.)	1 1/4
Merchandiser Liquid Line (in.)	3/8
Merchandiser Suction Line (in.)	7/8





Bulk Convertible

Dimensions shown as inches and (mm).



NOTE: Case-to-Case Electrical Connections are made IN FRONT of SPLASHGUARD. FRONT

(12 Ft shown)

	8 ft	12 ft
General		
(A) Case Length (without ends or partitions) (Each end and insulated partition adds 1 1/2 in. (38 mm) to case line up.) Maximum O/S dimension of case back to front (includes bumper)	96 3/8 (2448)	144 1/2 (3670)
Back of case to front of splashguard	46 (1168)	46 (1168)
Back of case to O/S edge of front leg	37 3/8 (950)	37 3/8 (950)
Distance between edges of external legs and center legs	34 1/8 (867)	34 1/8 (867)
Distance between edges of center legs	41 1/2 (1054)	41 1/2 (1054)
Distance between front legs and splashguard	NA	43 7/8 (1114)
	2 5/8 (66)	2 5/8 (66)
Electrical Service  (Electrical Field Wiring connection point)		
(B) RH End of case to center of stub up area Back of case to center of stub up area Length of electrical wireway 	84 1/4 (2140) 28 (712) 26 1/2 (673)	132 3/8 (3363) 28 (712) 26 1/2 (673)
(C) RH End of case to LH end of wireway	90 1/8 (2289)	138 1/4 (3511)
Waste Outlets (One each end) 		
(D) RH End of case to the center of LH waste outlet RH End of case to the center of RH waste outlet Back O/S of case to center of waste outlets Schedule 40 PVC drip pipe	84 3/8 (2143) 12 (305) 35 5/8 (905) 1 1/4 (32)	132 1/2 (3366) 12 (305) 35 5/8 (905) 1 1/4 (32)
Refrigeration Outlet 		
Back of case to center of refrigeration outlet RH end of case to center of refrigeration outlet	30 1/4 (768) 8 (203)	30 1/4 (768) 8 (203)

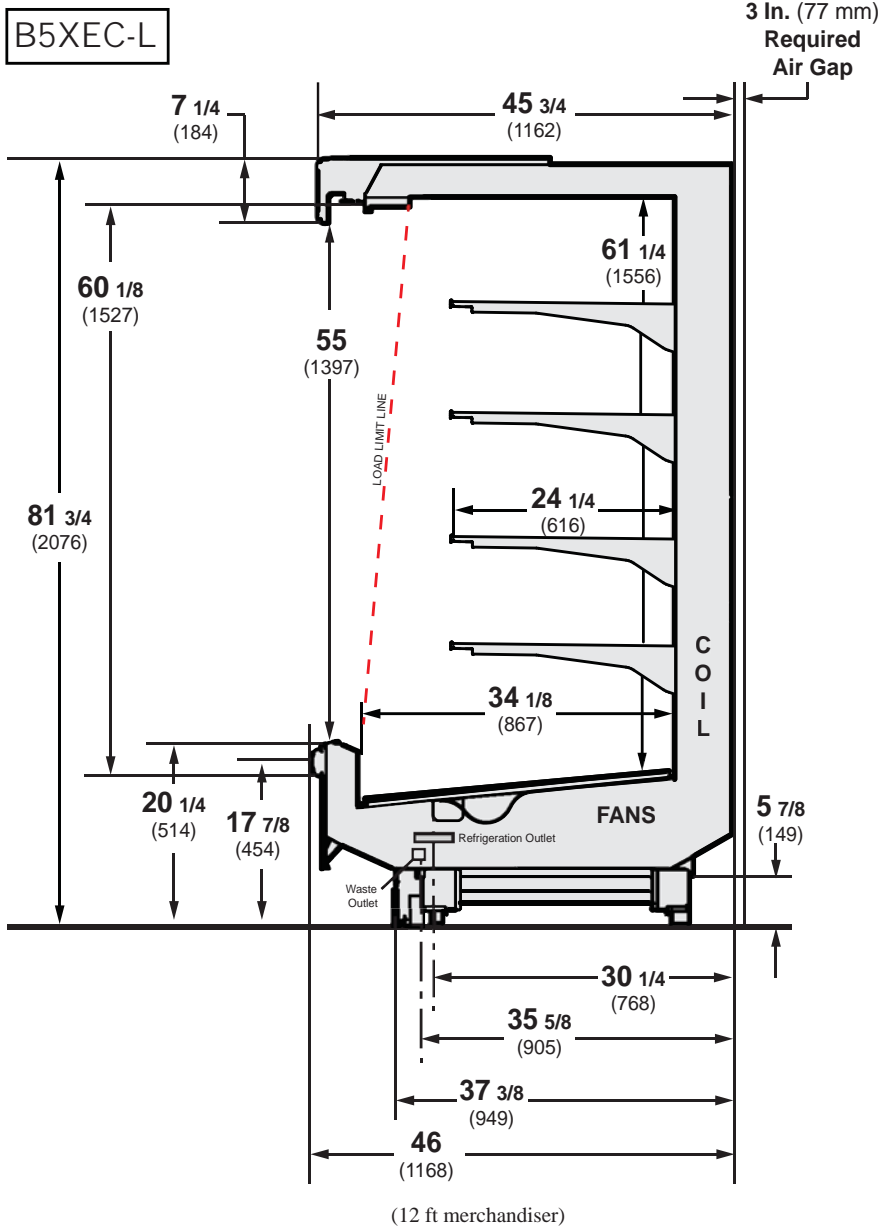
Multi-deck, 5 Display Levels



Hussmann refrigerated merchandisers configured for sale for use in the United States meet or surpass the requirements of the DOE 2017 energy efficiency standards.

Excel B5XEC-L
Bulk Convertible

Dimensions shown as inches and (mm).



REFRIGERATION DATA

Note: This data is based on store temperature and humidity that does not exceed 75°F and 55% R.H.

B5XEC-L	DAIRY/DELI/PRODUCE/BEVERAGE [§]	UNLIT
Discharge Air °F		33
Evaporator °F		28
Unit Sizing °F		30

[§] Average evaporator temperature shown. Use dew point for high glide refrigerants for unit sizing. Care should be taken to use the dew point in PT tables for measuring and adjusting superheat. Adjust evaporator pressure as needed to maintain discharge air temperature shown.

Btu/hr/ft — Unlit Shelves [‡]	DAIRY/DELI/PRODUCE	
	Parallel	Conventional
B5XEC-L		
UNLIT	1455	1510

DEFROST DATA

	B5XEC-L
Frequency (hr)	12
Defrost Water (lb/ft/day)	7.5

(±15% based on case configuration and product loading.)

OFFTIME	B5XEC-L
Time (Minutes)	25
ELECTRIC OR GAS	Not Recommended

CONVENTIONAL CONTROLS

Low Pressure Backup Control	
CI/CO*	
B5XEC-L	DAIRY/DELI/PRODUCE [‡]
Temp (°F)	21°F / 11°F

Indoor Unit Only, Pressure Defrost Termination* 48°F

*Use a Temperature Pressure Chart to determine PSIG conversions.
[‡] For red meat application, reduce low pressure backup control by 3°F.

Estimated Charge **	B5XEC-L		
8 ft	3.7 lb	59 oz	1.7 kg
12 ft	5.1 lb	82 oz	2.3 kg

**This is an average for all refrigerant types. Actual refrigerant charge may vary by approximately half a pound (8 oz/0.2 kg).

NSF Certification

This merchandiser model is manufactured to meet NSF/ANSI (National Sanitation Foundation) Standard #7 requirements for construction, materials & cleanability.

Excel B5XEC-L Bulk Convertible

Electrical Data

	8 ft	12 ft		
Number of Fans—12W	2	3		
Number of Fans—7W	—	—		
	Amperes			
	8 ft	12 ft	8 ft	12 ft
Evaporator Fan				
120V 50/60Hz Standard Energy Efficient	0.60	0.90	36	54
230V 50/60Hz Standard Energy Efficient	0.30	0.45	36	54
230V 60Hz Export	0.66	0.99	100	150
230V 50Hz Export	0.76	1.14	114	171
Minimum Circuit Ampacity				
120V 50/60Hz Standard Energy Efficient	0.80	1.10		
230V 50/60Hz Standard Energy Efficient	0.50	0.65		
230V 60Hz Export	0.86	1.19		
230V 50Hz Export	0.96	1.34		
Maximum Over Current Protection 120V	20	20		
Maximum Over Current Protection 230V	15	15		

ONLY LIGHTING CONFIGURATIONS THAT ARE COMPLIANT WITH THE U.S. DEPT. OF ENERGY (DOE) 2017 REGULATION ARE AVAILABLE FOR SALE FOR USE IN THE U.S.A.

EcoShine II Canopy

EcoShine II	0.32	0.48	38.6	58.0
EcoShine II HO	0.44	0.66	53.0	79.4
EcoShine II Rail Light —1 Row	0.16	0.25	19.8	29.7

120V Lighting Circuit Total = Standard Lighting + Total Optional Lighting + Optional Shelf Lighting

120V LED Lighting Circuit Total = Canopy Lighting + Shelf Lighting + Optional Rail Lighting

230V Lighting Circuit Total = Multiply 120V Lighting Circuit Total by 0.52

Please note: some combinations of fluorescent lights on this case model may not be compliant with DOE 2017 and may not be available to order in the US and Canada. More lighting options are available with LED lights. The Hussmann Product Configurator will not allow lighting options that do not comply with the DOE 2017 standards.

Shelf Options

Approved shelf sizes for standard (horizontal, 2-3 position brackets) displays:

24-inch

Contact engineering for non-standard (4 position brackets or other) display recommendations.

Minimum number of Shelves: 4

Optimal number of Shelves: 4

Maximum number of Shelves: 4

Maximum number of Lighted Shelves: 4

Standard shelf complement for test purposes: (4) 24-inch shelves, evenly distributed vertically.

Excel B5XEC-L

Bulk Convertible

Product Data

Recommended Usable Cube ¹ (Cu Ft/Ft)	13.46 ft ³ /ft (1.25 m ³ /m)
AHRI Total Display Area ² (Sq Ft/Ft)	4.58 ft ² /ft (1.40 m ² /m)
Shelf Area ³ (Sq Ft/Ft)	10.83 ft ² /ft (3.30 m ² /m)

¹ AHRI Refrigerated Volume less shelving and other unusable space: Refrigerated Volume/Unit of Length, ft³/ft [m³/m]

² Computed using AHRI 1200 standard methodology: Total Display Area, ft² [m²]/Unit of Length, ft [m]

³ Shelf surface area is composed of bottom deck plus standard shelf complement, as shown in the Hussmann **Product Reference Guide**. The standard shelf complement for this model is (4) rows of 24-inch shelves.

ESTIMATED SHIPPING WEIGHT ⁴

Case	8 ft	12 ft	Solid End (each)
lb (kg)	1000 (454)	1200 (544)	100 (45)

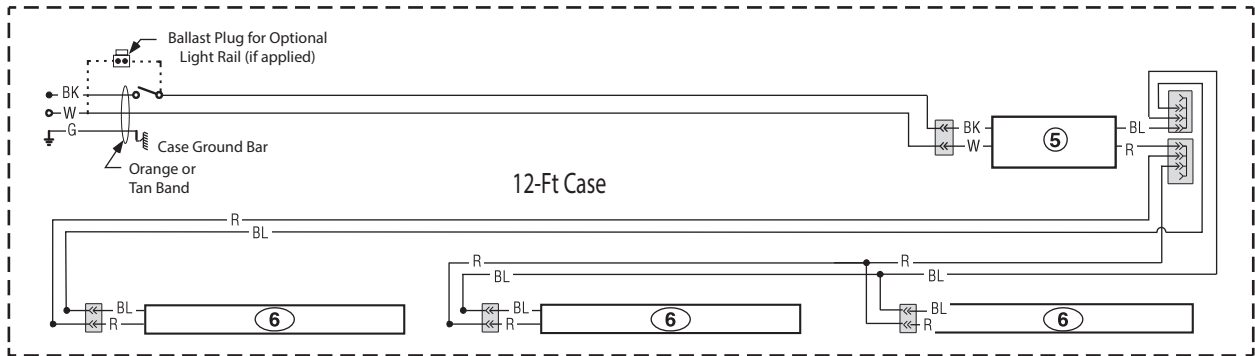
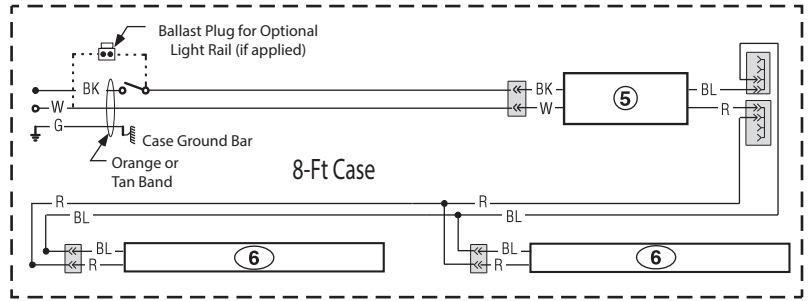
⁴ Actual weights will vary according to optional kits included.

Shelf Options

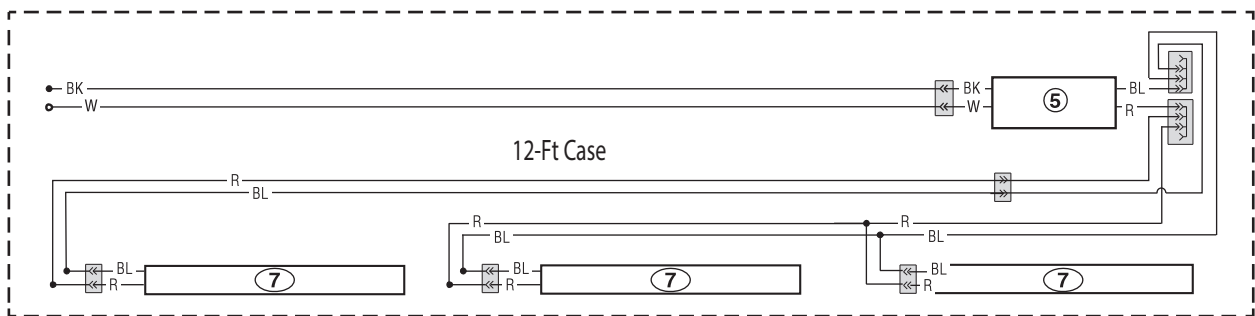
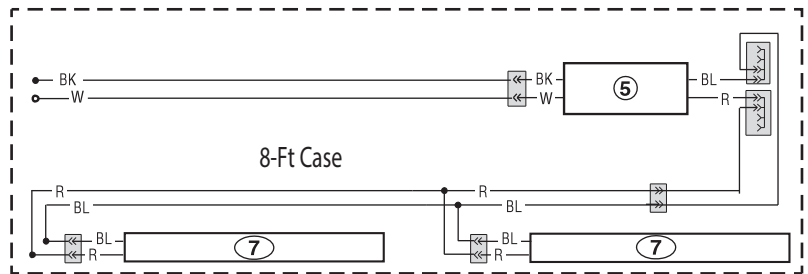
Compatible with three (3) to five (5) 24 in. shelves.

Optional Canopy and Rail Light Circuits — LED Fixtures

EcoShine II LED Canopy Lighting – 1 Row



EcoShine II LED Rail Lighting – 1 Row



WARNING

All components must have mechanical ground, and the merchandiser must be grounded.

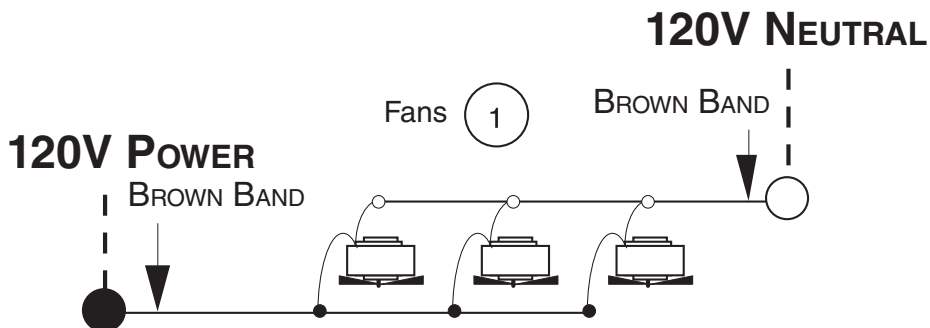
CIRCLED NUMBERS = PARTS LIST ITEM NUMBERS

- | | | | | | |
|----------------|------------------|------------------|-----------------|------------|-----------|
| R = Red | Y = Yellow | G = Green | BL = Blue | BK = Black | W = White |
| ● = 120V POWER | ○ = 120V NEUTRAL | ⊥ = FIELD GROUND | ▨ = CASE GROUND | | |

**Fan Wiring
Offtime Defrost**

2 & 3 Fans

**8 ft – 2 Fans
12 ft – 3 Fans**



WARNING

All components must have mechanical ground, and the merchandiser must be grounded.

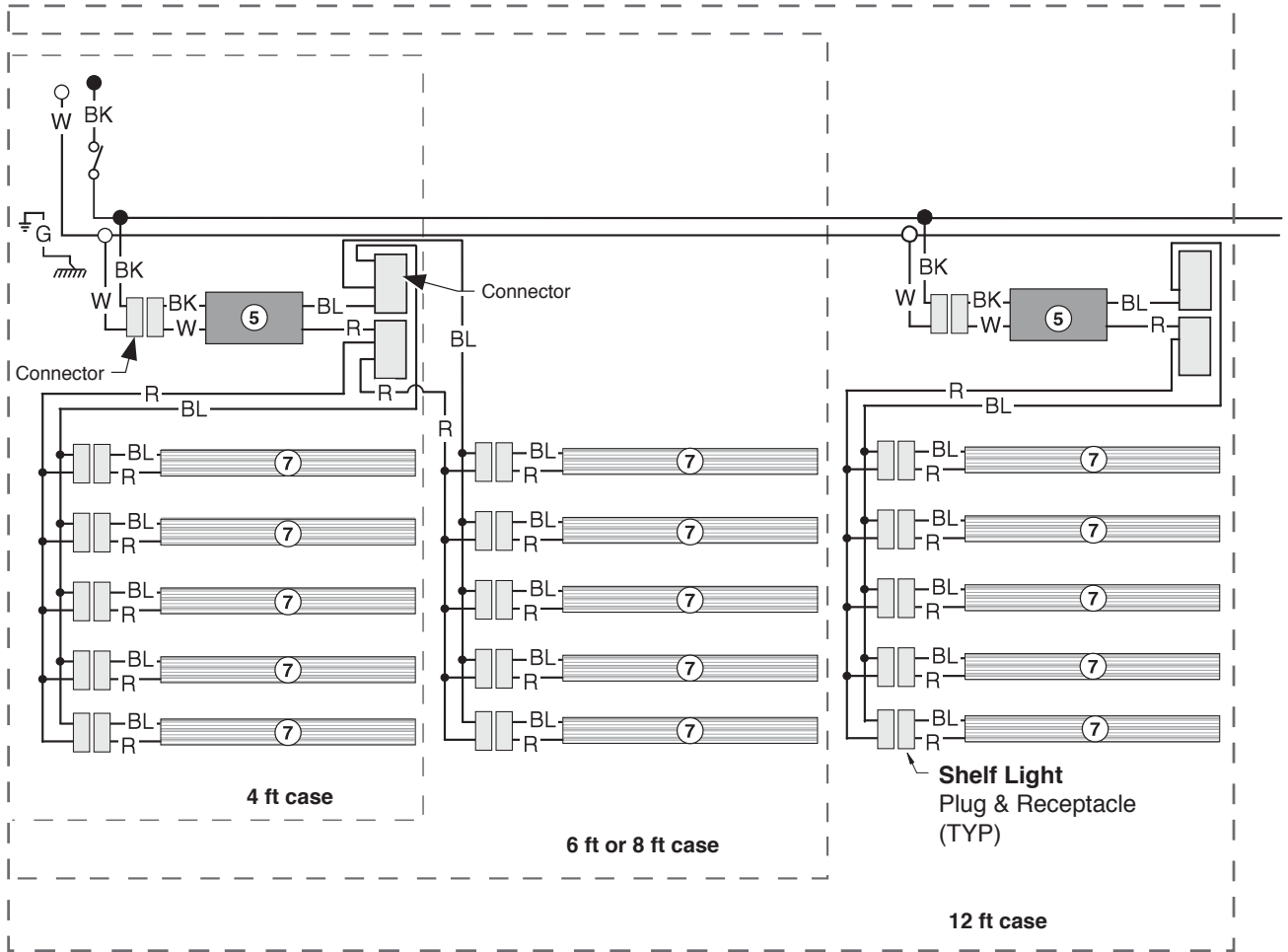
CIRCLED NUMBERS = PARTS LIST ITEM NUMBERS

R = Red Y = Yellow G = Green BL = Blue BK = Black W = White

● = 120V POWER ○ = 120V NEUTRAL ⊥ = FIELD GROUND ≡ = CASE GROUND

Optional Shelf Lighting LED Fixtures

Optional Shelf Harness and LED Light Circuits for 4 or 5 Rows of Shelves



WARNING

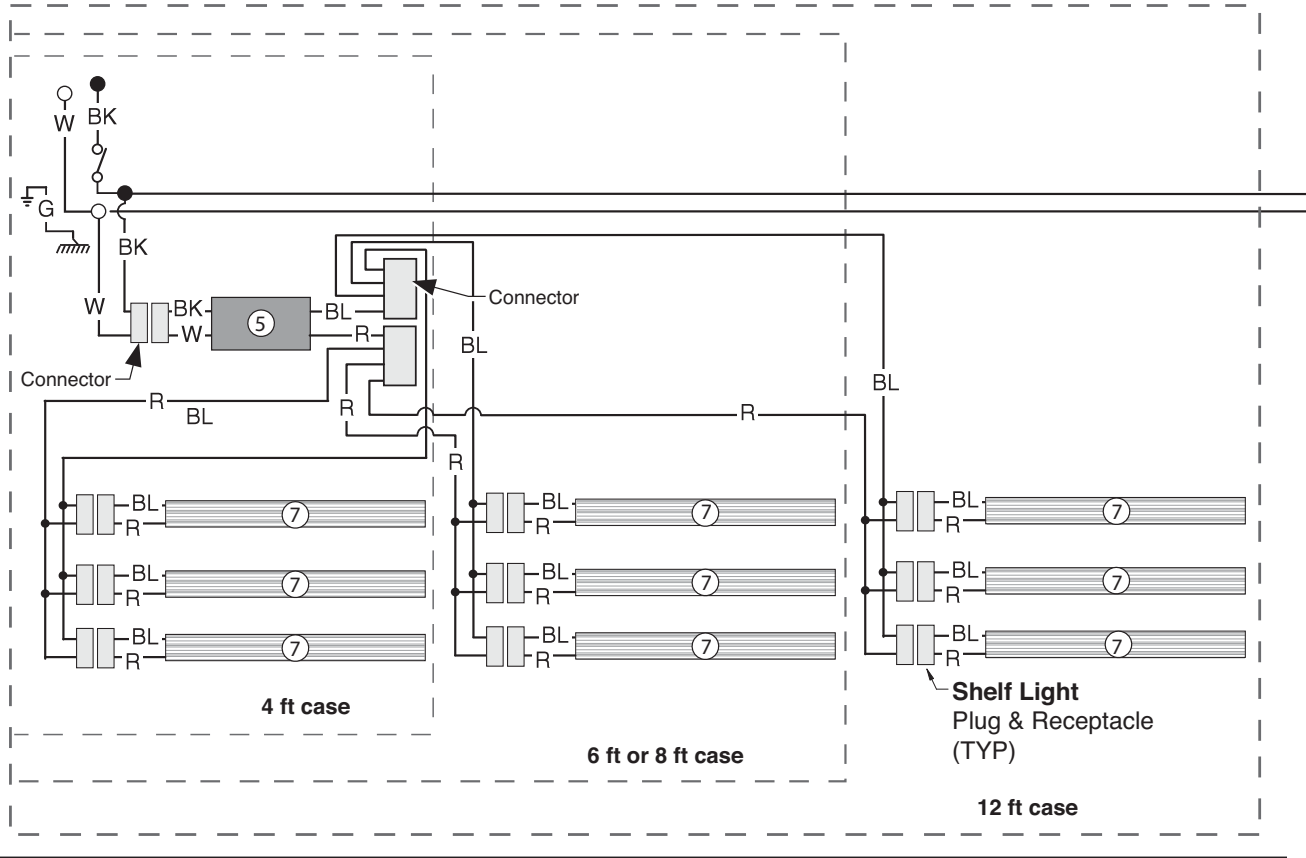
All components must have mechanical ground, and the merchandiser must be grounded.

CIRCLED NUMBERS = PARTS LIST ITEM NUMBERS

R = Red G = Green BL = Blue BK = Black W = White
 ● = 70V POWER ○ = 70V NEUTRAL ⊥ = FIELD GROUND ≡ = CASE GROUND

Optional Shelf Lighting LED Fixtures

Optional Shelf Harness and LED Light Circuits for 2 or 3 Rows of Shelves



WARNING

All components must have mechanical ground, and the merchandiser must be grounded.

CIRCLED NUMBERS = PARTS LIST ITEM NUMBERS

R = Red G = Green BL = Blue BK = Black W = White
 ● = 120V POWER ○ = 120V NEUTRAL ⊥ = FIELD GROUND ≡ = CASE GROUND