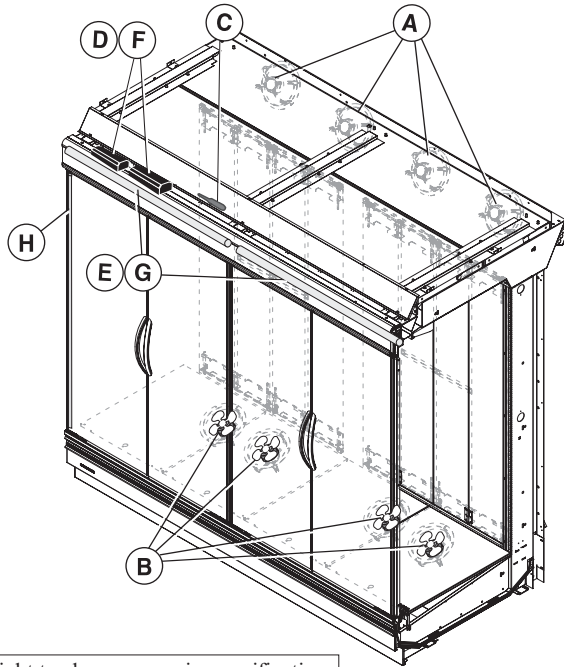


HUSSMANN[®] Excel



DD6X-URE
Technical Data Sheet
P/N 0520501_H

NSF[®] Certified
July 2018



DOE 2017
Energy Efficiency
Compliant



Scan QR code to
access product
information on your
mobile device.

We reserve the right to change or revise specifications and product design in connection with any feature of our products. Such changes do not entitle the buyer to corresponding changes, improvements, additions or replacements for equipment previously sold or shipped.

IMPORTANT
**ONE FLOOR DRAIN IS
REQUIRED FOR EACH CASE.**

Item	Part #	Description	Wiring Item #	Item	Part #	Description	Wiring Item #
FAN ASSEMBLIES				THERMOSTATS			
8 Ft & 12 Ft				C. Optional Adjustable Refrigeration Thermostat (3)			
A. 13W Standard Energy Efficient				LAMPS, BALLASTS, LED FIXTURES AND POWER SUPPLY			
		Fan Assembly — Discharge	(1)	D.	Ballast, Electronic		(4)
	0477656	Fan Motor, Discharge (MO.4410547)		0480130	2 lamps (BA.4481676)		
	0463643	Fan Blade (FB.4780648)		0480131	3 lamps (BA.4481654)		
6 Ft Only				0480132	4 lamps (BA.4481677)		
A. 13W Standard Energy Efficient				E.	Fluorescent Lamp		(5)
		Fan Assembly — Discharge	(1)		<i>Replace with like fixtures</i>		
	0477656	Fan Motor, Discharge (MO.4410547)		F.	0501213 Power Supply (EP.4481861)		(6)
	0124150	Fan Blade (FB.0124150)		G.	LED Canopy Fixture		(7)
8 Ft & 12 Ft					<i>Replace with like fixtures</i>		
B. 12W Standard Energy Efficient				H.	LED Mullion Fixture		(8)
		Fan Assembly — Return	(2)		<i>Replace with like fixtures</i>		
	0477655	Fan Motor, Return (MO.4410546)					
	0315470	Fan Blade (FB.0315470)					
6 Ft Only							
B. 7W Standard Energy Efficient							
		Fan Assembly — Return	(2)				
	0477654	Fan Motor, Return (MO.4410545)					
	0124150	Fan Blade (FB.0124150)					

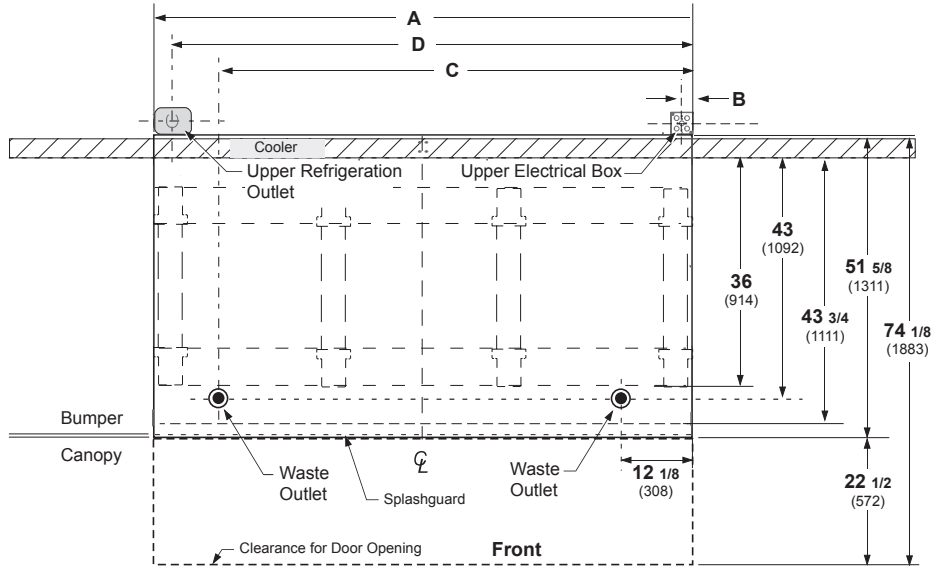
Note: Revision H: Updated lighting energy values. Other changes marked with a bar, circle or underline.

Engineering Plan Views

PHYSICAL DATA	
Merchandiser Drip Pipe (in.)	1 1/4
Merchandiser Liquid Line (in.)	3/8
Merchandiser Suction Line (in.)	7/8

Rear Load Ultra Low Front Dairy

Dimensions shown as in. & (mm).



Note: ALL FIELD WIRING CONNECTION POINTS ARE ABOVE THE CASE. Case to case connections are made in the electrical box at the top of the case.

	6 ft	8 ft	12 ft
General			
(A) Case Length (<i>without ends or partitions</i>) (Each end and insulated partition adds 1 1/2 in. (38 mm) to case line up.)	72 3/8 (1838)	96 3/8 (2448)	144 1/2 (3670)
Maximum O/S dimension of case back to front (front of canopy through cooler wall not including electrical box)	51 5/8 (1311)	51 5/8 (1311)	51 5/8 (1311)
Cooler wall to front of splashguard	43 3/4 (1111)	43 3/4 (1111)	43 3/4 (1111)
Cooler wall to O/S edge of front rails	40 3/4 (1035)	40 3/4 (1035)	40 3/4 (1035)
Distance between edges of external rails and center rails	41 1/2 (1054)	41 1/2 (1054)	41 1/2 (1054)
Distance between edges of center rails	NA	NA	43 7/8 (1114)
Distance between front rails and splashguard	7 3/4 (197)	7 3/4 (197)	7 3/4 (197)
Electrical Service <input checked="" type="checkbox"/> (<i>Electrical Field Wiring connection point located on top of case</i>)			
(B) RH End of case to center of 4 x 4 x 2 Electrical Box	2 (51)	2 (51)	2 (51)
Back of case (cooler wall) to center of 4 x 4 x 2 Electrical Box	2 1/4 (57)	2 1/4 (57)	2 1/4 (57)
Waste Outlets (<i>One each end</i>) <input checked="" type="checkbox"/>			
(C) RH End of case to the center of LH waste outlet	60 1/4 (1530)	84 1/4 (2140)	132 3/8 (3363)
RH End of case to the center of RH waste outlet	12 1/8 (308)	12 1/8 (308)	12 1/8 (308)
Cooler wall to center of waste outlets	42 (1067)	42 (1067)	42 (1067)
Schedule 40 PVC drip pipe	1 1/4 (32)	1 1/4 (32)	1 1/4 (32)
Refrigeration Outlet <input checked="" type="checkbox"/>			
Cooler wall to center of refrigeration outlet	4 1/4 (108)	4 1/4 (108)	4 1/4 (108)
(D) RH end of case to center of refrigeration outlet	69 1/4 (1759)	93 1/4 (2369)	141 3/8 (3591)

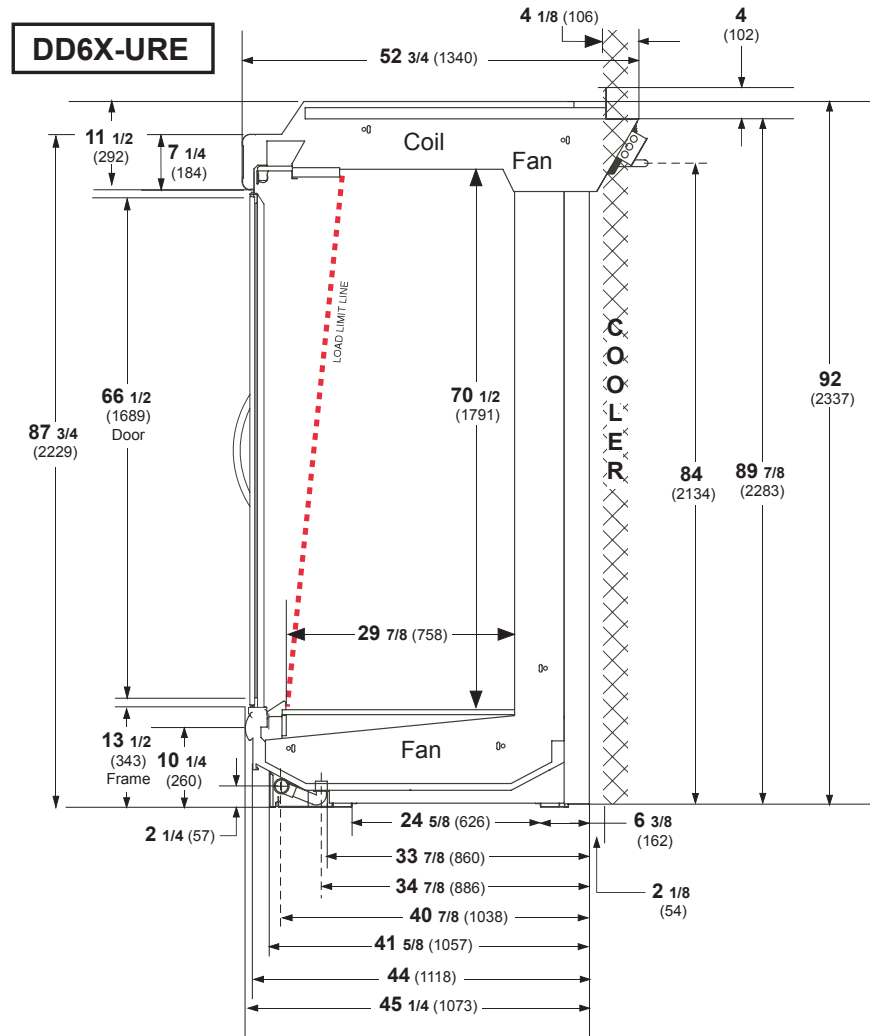
Ultra Low Front Multi-deck with Doors, Rear Load

Excel DD6X-URE
Dairy



Hussmann refrigerated merchandisers configured for sale for use in the United States meet or surpass the requirements of the DOE 2017 energy efficiency standards.

Dimensions shown as in. & (mm).



ALL FIELD WIRING CONNECTION POINTS ARE ABOVE THE CASE.

Estimated Charge ****

6 ft	2.0 lb	32 oz	0.9 kg
8 ft	2.7 lb	43 oz	1.2 kg
12 ft	3.9 lb	69 oz	1.8 kg

****This is an average for all refrigerant types. Actual refrigerant charge may vary by approximately half a pound (8 oz/0.2 kg).

NSF Certification

This merchandiser model is manufactured to meet NSF/ANSI (National Sanitation Foundation) Standard #7 requirements for construction, materials & cleanability.

REFRIGERATION DATA

Note: This data is based on store temperature and humidity that does not exceed 75°F and 55% R.H.

DD6X-URE§	DAIRY DELI		
	UNLIT	LIT*	PEG**
Discharge Air °F	37	35	35
Avg Evap °F	33	30	30
Unit Sizing °F	30	28	28
DD6X-URE§	FRESH MEAT		
	UNLIT	LIT‡	
Discharge Air °F	33	31	
Avg Evaporator °F	28	26	
Unit Sizing °F	26	24	

* Lit data is for canopy and mullion lighting. Hussmann recommends against using lit shelves with EcoVision Doors.

** Hussmann Peg Shelves (Deli only)

§ Average evaporator temperature shown. Use dew point for high glide refrigerants for unit sizing. Care should be taken to use the dew point in PT tables for measuring and adjusting superheat. Adjust evaporator pressure as needed to maintain discharge air temperature shown.

Btu/hr/ft ‡	UNLIT		
DD6X-URE	UNLIT	PEG*	MEAT
PARALLEL	290	325	334
CONVENTIONAL	299	335	344

‡ Add 10 Btu/hr/ft for lit.

DEFROST DATA

Frequency Hr	24
Defrost Water (lb/ft/day)	1.0
(± 15% based on case configuration and product loading).	

OFFTIME	DD6X-URE
Time Terminated (minutes)	45
ELECTRIC OR GAS	Not Recommended

CONVENTIONAL CONTROLS

Low Pressure Backup Control	DD6X-URE
CI/CO***	35°F / 25°F

Indoor Unit Only, Pressure Defrost

Termination*** 40°F
 ***Use a Temperature Pressure Chart to determine PSIG conversions.

Excel DD6X-URE

Dairy

Electrical Data

			6 ft	8 ft	12 ft			
Number of Fans								
Discharge — 13W			4	4	6			
Return — 12W			—	4	6			
Return — 7W			4	—	—			
			Amperes			Watts		
			6 ft	8 ft	12 ft	6 ft	8 ft	12 ft
Discharge Fan								
120V	50/60Hz	Standard Energy Efficient	1.20	1.20	1.80	80	80	120
230V	50/60Hz	Standard Energy Efficient	0.60	0.60	0.90	80	80	120
230V	60Hz	Export	1.56	1.56	2.34	244	244	366
230V	50Hz	Export	1.92	1.92	2.88	280	280	420
Return Fan								
120V	50/60Hz	Standard Energy Efficient	0.76	1.20	1.80	56	72	108
230V	50/60Hz	Standard Energy Efficient	0.40	0.60	0.90	56	72	108
230V	60Hz	Export	1.00	1.32	1.98	156	200	300
230V	50Hz	Export	1.12	1.52	2.28	168	228	342
Minimum Circuit Ampacity								
120V	50/60Hz	Standard Energy Efficient	2.16	2.60	3.80			
230V	50/60Hz	Standard Energy Efficient	1.20	1.40	2.00			
230V	60Hz	Export	2.76	3.08	4.52			
230V	50Hz	Export	3.04	3.64	5.36			
Maximum Over Current Protection 120V			20	20	20			
Maximum Over Current Protection 230V			15	15	15			

ONLY LIGHTING CONFIGURATIONS THAT ARE COMPLIANT WITH THE U.S. DEPT. OF ENERGY (DOE) 2017 REGULATION ARE AVAILABLE FOR SALE FOR USE IN THE U.S.A.

Standard Lighting (T-8 fluorescent)								
1 Row Canopy			0.51	0.51	0.77	59	59	85
Optional Lighting (T-8 fluorescent)								
Additional 1 Row Canopy			0.51	0.51	0.77	59	59	85
Additional 2 Row Canopy			1.02	1.02	1.54	118	118	170
EcoShine II Canopy (LED)								
EcoShine II			0.26	0.32	0.48	31.6	38.6	58.0
EcoShine II HO			0.33	0.44	0.66	39.5	53.0	79.4
Mullion (LED)								
EcoShine II 60-in.			0.51	0.51	0.74	61.4	61.4	88.6

Lighted shelves are not available for rear-load models.

120V Lighting Circuit Total = Standard Lighting + Total Optional Lighting + Optional Shelf Lighting

120V EcoShine LED Lighting Circuit Total = Total Canopy Lighting + Optional Mullion Lighting

230V Lighting Circuit Total = Multiply 120V Lighting Circuit Total by 0.52

Please note: some combinations of fluorescent lights on this case model may not be compliant with DOE 2017 and may not be available to order in the US and Canada. More lighting options are available with LED lights. The Hussmann Product Configurator will not allow lighting options that do not comply with the DOE 2017 standards.

Product Data

<i>Recommended Usable Cube</i> ¹ (Cu Ft/Ft)	10.47 ft ³ /ft (0.97 m ³ /m)
<i>AHRI Total Display Area</i> ² (Sq Ft/Ft)	5.50 ft ² /ft (1.68 m ² /m)
<i>Shelf Area</i> ³ (Sq Ft/Ft)	9.86 ft ² /ft (3.01 m ² /m)

- ¹ AHRI Refrigerated Volume less shelving and other unusable space: Refrigerated Volume/Unit of Length, ft³/ft [m³/m]
- ² Computed using AHRI 1200 standard methodology: Total Display Area, ft² [m²]/Unit of Length, ft [m]
- ³ Shelf surface area is composed of bottom deck plus standard shelf complement, as shown in the Hussmann *Product Reference Guide*. The standard shelf complement for this model is (5) rows of 22-inch shelves.

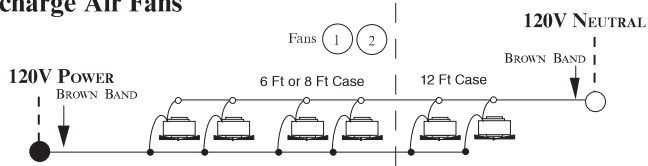
ESTIMATED SHIPPING WEIGHT ⁴

Case	<i>6 ft</i>	<i>8 ft</i>	<i>12 ft</i>	Solid End (each)
lb (kg)	1000 (454)	1330 (603)	1990 (903)	90 (41)

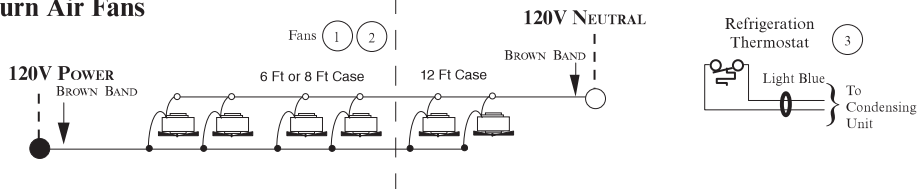
⁴ Actual weights will vary according to optional kits included.

Fan Wiring Offtime Defrost

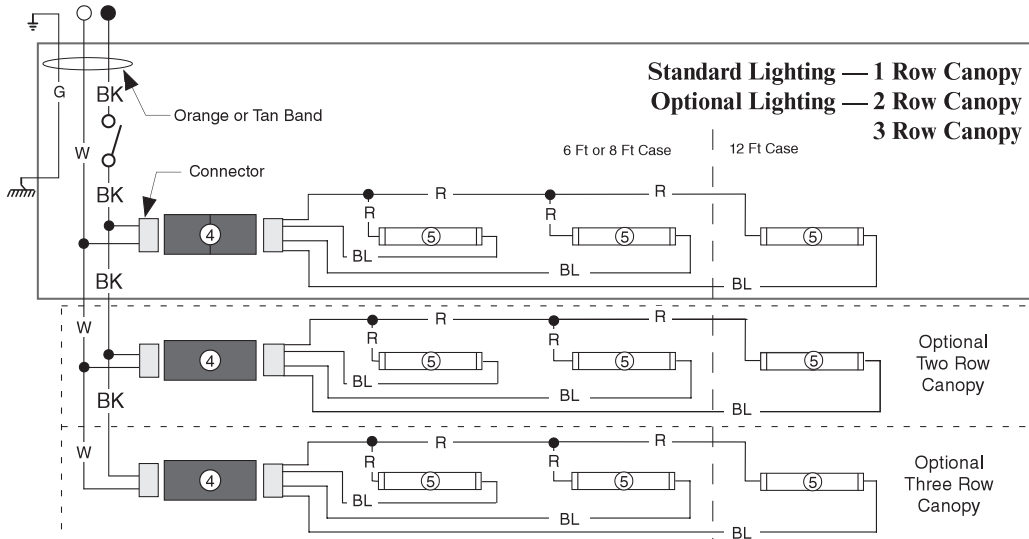
Discharge Air Fans



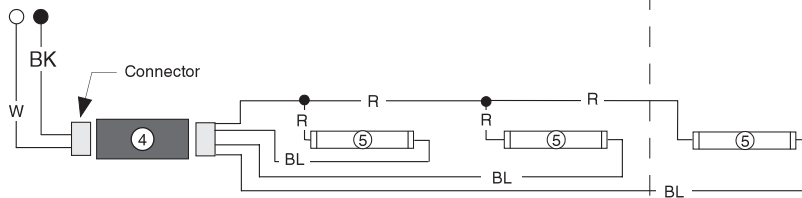
Return Air Fans



Light Circuits



Optional Lighting — 1 Row Rail



WARNING

All components must have mechanical ground, and the merchandiser must be grounded.

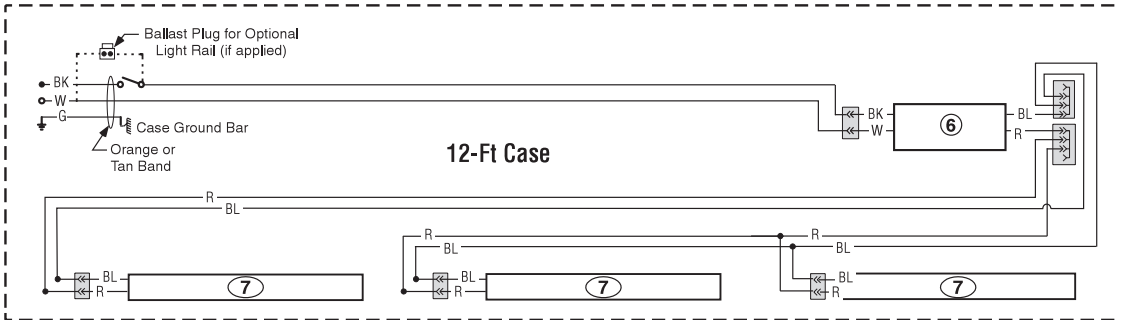
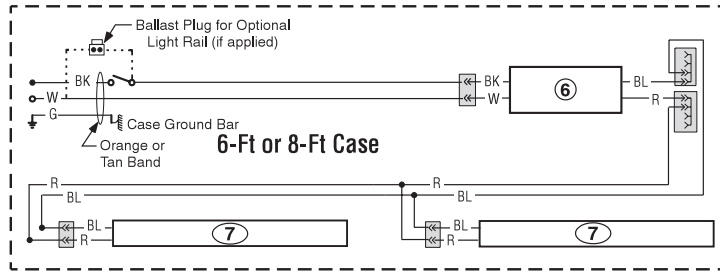
CIRCLED NUMBERS = PARTS LIST ITEM NUMBERS

R = Red Y = Yellow G = Green BL = Blue BK = Black W = White

● = 120V POWER ○ = 120V NEUTRAL ⚡ = FIELD GROUND ⏏ = CASE GROUND

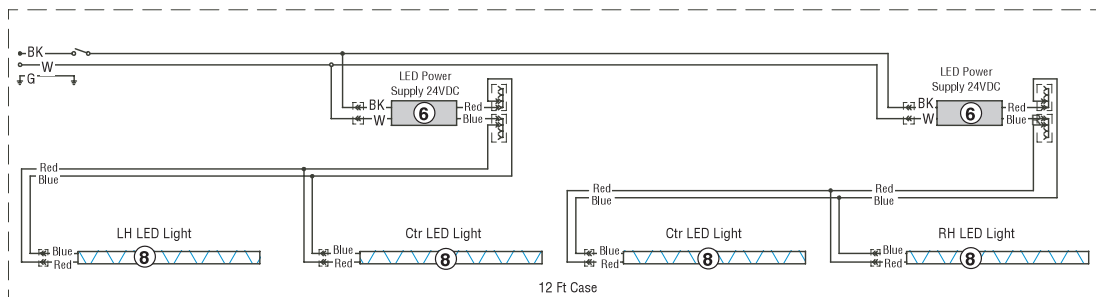
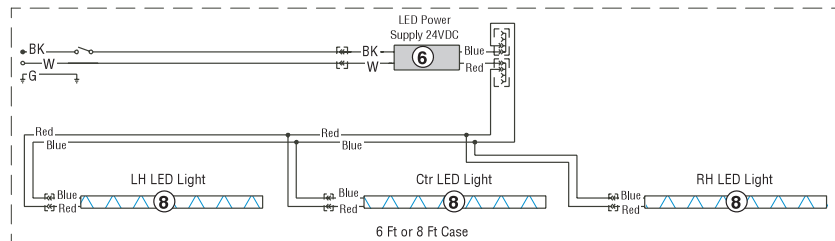
Optional Canopy Lighting LED Fixtures

EcoShine II LED Canopy Lighting — 1 Row



Optional Mullion Lighting LED Fixtures

LED Mullion Lighting



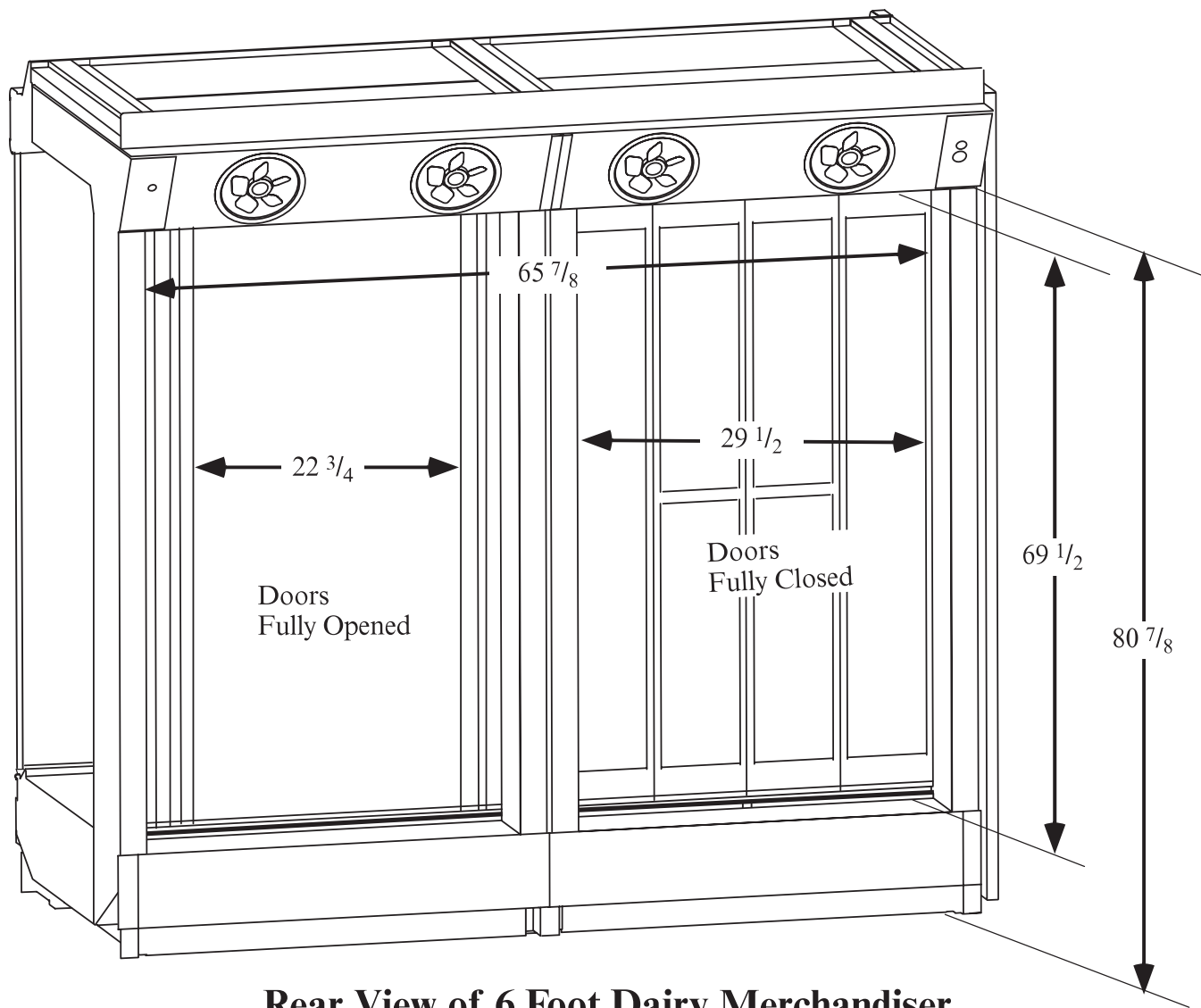
WARNING

All components must have mechanical ground, and the merchandiser must be grounded.

CIRCLED NUMBERS = PARTS LIST ITEM NUMBERS

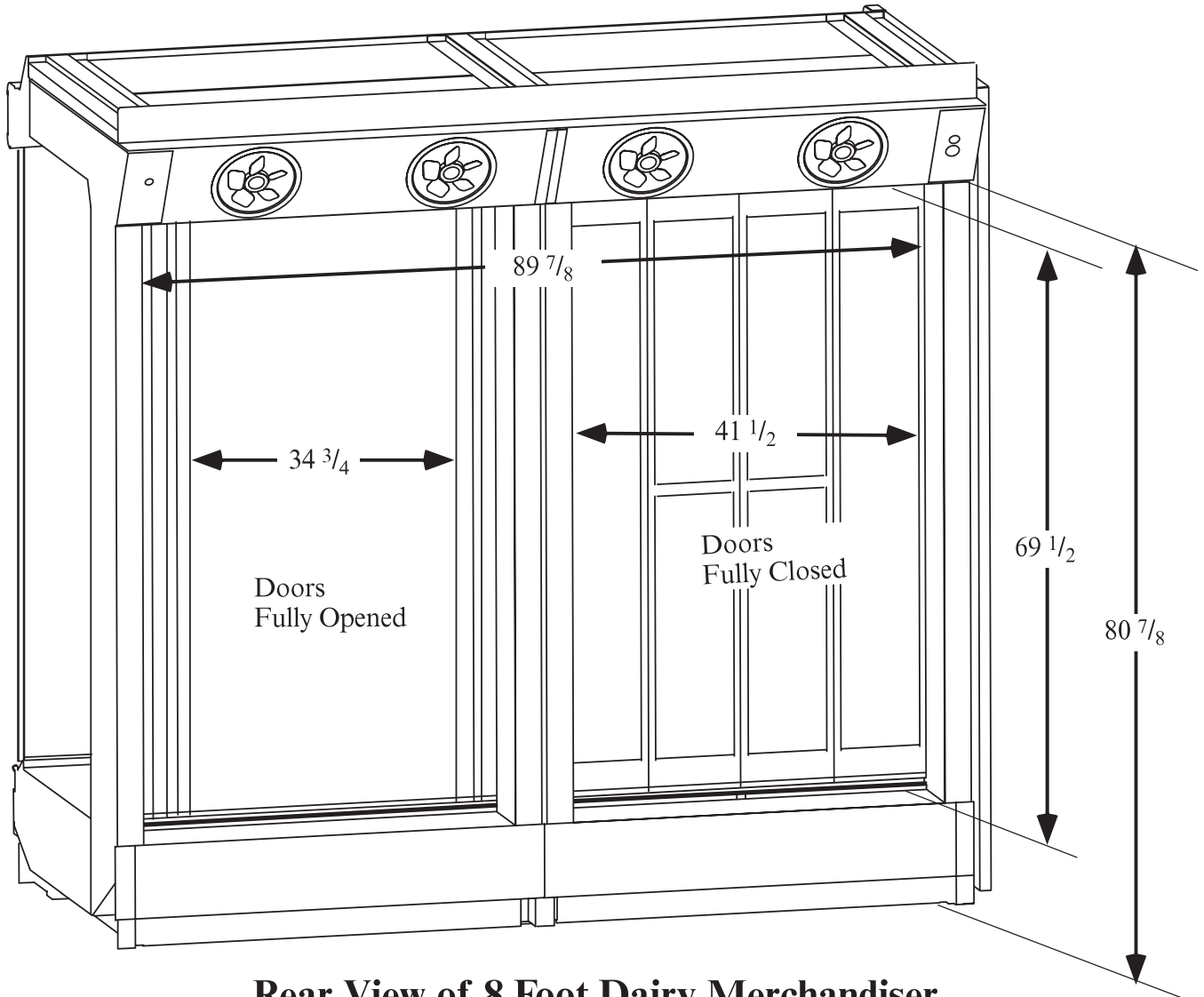
R = Red Y = Yellow G = Green BL = Blue BK = Black W = White

● = 120V POWER ○ = 120V NEUTRAL ⚡ = FIELD GROUND $\overline{\overline{\overline{\quad}}}$ = CASE GROUND



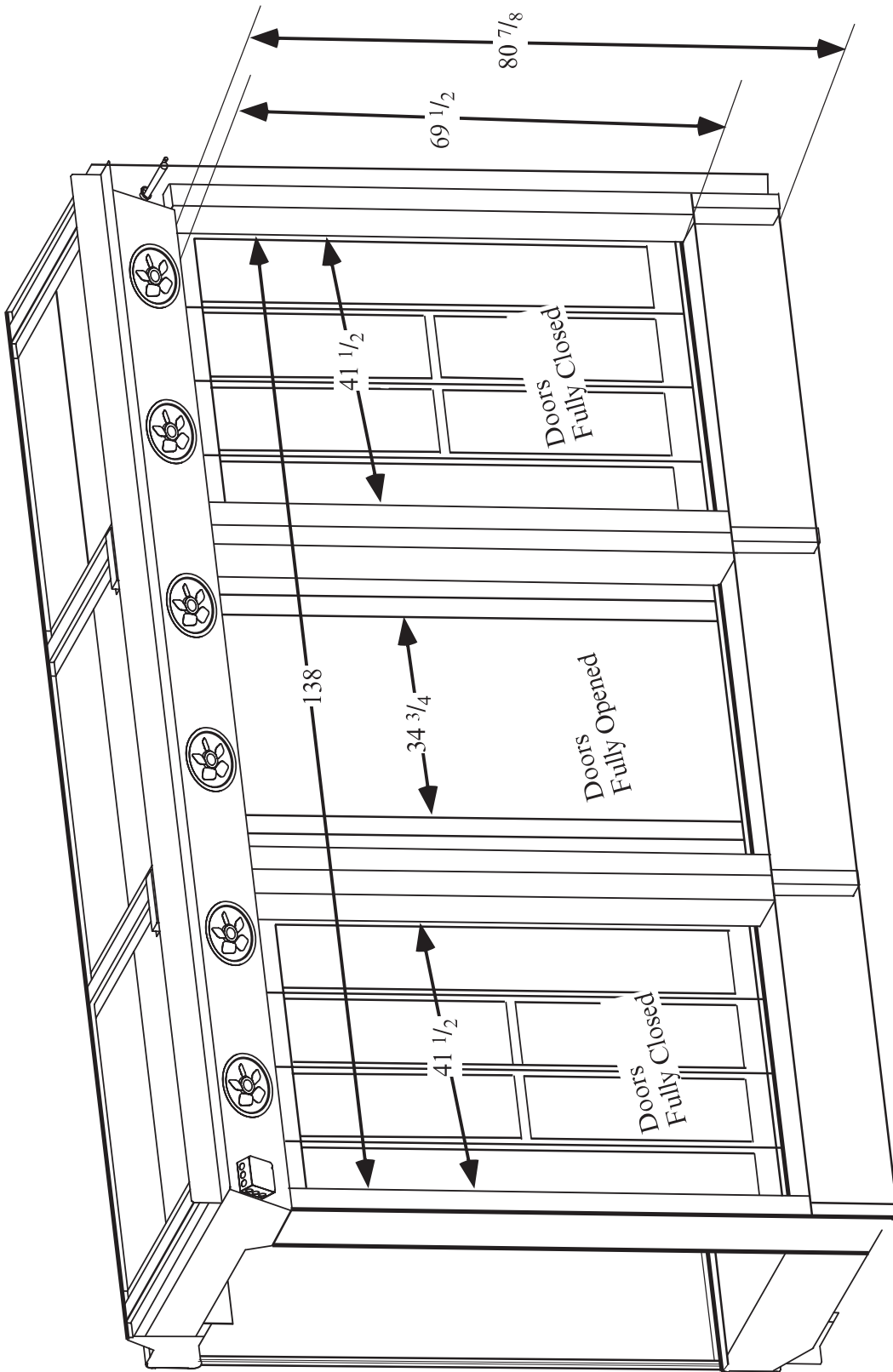
Rear View of 6 Foot Dairy Merchandiser

NOTE: Consult Ultra-Low Front Installation manual for instructions on connecting the merchandiser to the cooler.



Rear View of 8 Foot Dairy Merchandiser

NOTE: Consult Ultra-Low Front Installation manual for instructions on connecting the merchandiser to the cooler.



NOTE: Consult Ultra-Low Front Installation manual for instructions on connecting the merchandiser to the cooler.

Rear View of 12 Foot Dairy Merchandiser