

We reserve the right to change or revise specifications and product design in connection with any feature of our products. Such changes do not entitle the buyer to corresponding changes, improvements, additions or replacements for equipment previously sold or shipped.

Item	Part #	Description	Wiring Item #	Item	Part #	Description	Wiring Item #
FAN ASSEMBLIES AND THERMOSTATS				HEATERS			
A.	0392457	Fan Motor, Evaporator (120V) (MO.4410101)	(1)	E.	0460453	Heater, Ambient (120V) (HE.4850579)	(5)
	0409511	Fan Blade (120V) (FB.0409511) embossing toward motor		E.	0461866	Heater, Ambient (230V) (HE.4850646)	(6)
	0436517	Fan Motor, Evaporator (230V) (MO.4410105)		LAMPS AND BALLASTS			
	0409512	Fan Blade (230V) (FB.0409512) embossing toward motor		F.	0355716	Ballast, Electronic 2 lamps (120V) (BA.0355716)	(7)
B.	0404551	Fan Motor, Ambient (120V) (MO.0404551)	(2)	F.	0355398	3 lamps (120V) (BA.4480118)	(8)
	0404552	Fan Motor, Ambient (230V) (MO.4410590)		F.	0440215	2 lamps (230V 50-60 Hz) (BA.4481267)	(7)
C.	0382028	Standard Non-adjustable Defrost Thermostat (CT.0382028)	(3)	F.	0428652	3 lamps (230V 50-60 Hz) (BA.4480897)	(8)
D.	Optional Adjustable Refrigeration Thermostat(4) 0353949 (CT.4481087)				0385104	Ballast Transformer (230V 50-60 Hz, per ballast) (TR.4481191)	
				G.		Fluorescent Lamp <i>Replace with like fixtures</i>	(9)

Note: **P/N 0506799 supersedes P/N 0474007_B**; removes EEF; adds Product Data, page 5.

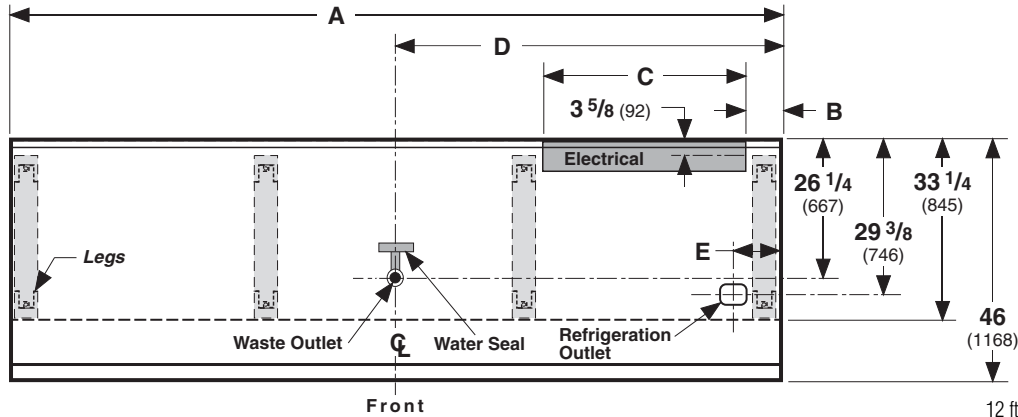
Engineering Plan Views




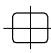
PHYSICAL DATA

Merchandiser Drip Pipe (in.)	1 1/2
Merchandiser Liquid Line (in.)	3/8
Merchandiser Suction Line (in.)	7/8

Elite Meat & Delicatessen Straight Hinged Glass Models

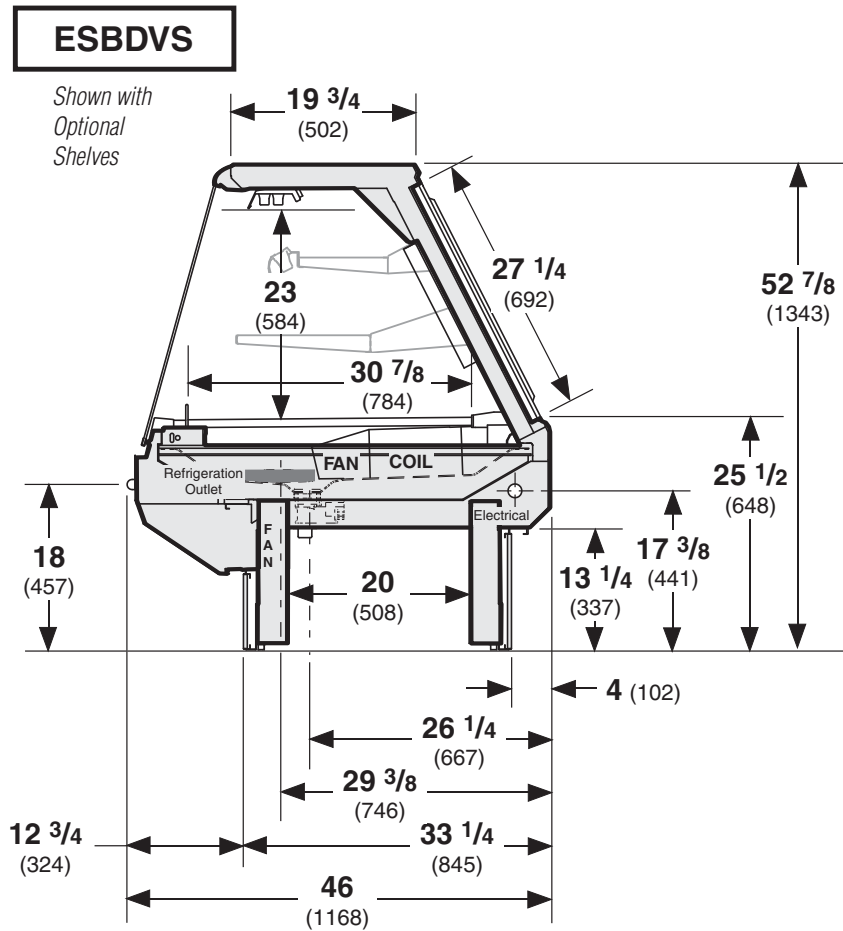
Dimensions shown as in. and (mm).



	4 ft	6 ft	8 ft	12 ft
General				
(A) Case Length (without ends or partitions)	48 1/4 (1226)	72 3/8 (1838)	96 3/8 (2448)	144 1/2 (3670)
<i>(Each end and insulated partition adds 1 in. (25 mm) to case line up.)</i>				
Maximum O/S dimension back to front (with bumper)	46 (1168)	46 (1168)	46 (1168)	46 (1168)
Back of case to front of front panel	33 1/4 (845)	33 1/4 (845)	33 1/4 (845)	33 1/4 (845)
RH end of case to outside edge of external support	1 5/8 (41)	1 5/8 (41)	1 5/8 (41)	1 5/8 (41)
Distance between edges of external support and center support	NA	28 1/2 (724)	40 5/8 (1032)	40 5/8 (1032)
Distance between edges of center supports	NA	NA	NA	44 (1118)
Distance between edges of external supports	37 (940)	NA	NA	NA
Electrical Service  (Electrical Field Wiring connection point)				
(C) Length of electrical raceway	38 3/4 (984)	29 5/8 (752)	41 3/4 (1060)	41 3/4 (1060)
RH End of case to center of farthest knockout	10 3/8 (264)	10 (254)	10 1/4 (260)	10 1/4 (260)
Back of case to center of end knockout	3 5/8 (92)	3 5/8 (92)	3 5/8 (92)	3 5/8 (92)
(B) RH End of case to RH end of raceway	5 (127)	5 (127)	5 (127)	5 (127)
Waste Outlet 				
(D) RH End of case to the center of waste outlet	24 (610)	24 1/8 (613)	24 1/8 (613)	72 1/4 (1835)
LH End of case to the center of waste outlet	24 1/4 (616)	48 1/4 (1226)	72 1/4 (1835)	72 1/4 (1835)
Back O/S of case to center of waste outlet	26 1/4 (667)	26 1/4 (667)	26 1/4 (667)	26 1/4 (667)
Water Seal 				
Edge of water seal to center of waste outlet	4 (102)	4 (102)	4 (102)	4 (102)
Outside diameter of the drip pipe	1 1/2 (38)	1 1/2 (38)	1 1/2 (38)	1 1/2 (38)
<i>(Field installed water seal outlets, tees, and connectors are shipped with the merchandiser.)</i>				
Refrigeration Outlet 				
Back of case to center of refrigeration outlet	29 3/8 (746)	29 3/8 (746)	29 3/8 (746)	29 3/8 (746)
(E) RH end of case to center of refrigeration outlet	8 1/4 (210)	8 1/4 (210)	8 1/4 (210)	8 1/4 (210)

Impact Elite ESDV5
Meat & Delicatessen

Dimensions shown as in. and (mm).



NSF Certification

This merchandiser model is manufactured to meet ANSI/NSF (National Sanitation Foundation) Standard #7 requirements for construction, materials & cleanability.

REFRIGERATION DATA

Note: This data is based on store temperature and humidity that does not exceed 75°F and 55% R.H.

	ESBDV5
Discharge Air (°F)	25
Evaporator (°F)	20
Unit Sizing (°F)	18

Btu/hr/ft — Unlit Shelves	ESBDV5 ^{‡‡}
Parallel	315
Conventional	380

^{‡‡} Add 20 Btu/hr/ft *per shelf row* for fluorescent lamps.

DEFROST DATA

	ESBDV5
Frequency (hr)	12
Defrost Water (lb/ft/day)	0.5

(± 15% based on case configuration and product loading).

OFFTIME	ESBDV5
Temp Term (°F)	43
Failsafe (minutes)	90

ELECTRIC OR GAS Not Recommended

Standard Defrost Thermostat

Close on rise: close 43°F — open 33°F

CONVENTIONAL CONTROLS

Low Pressure Backup Control

	ESBDV5
CI/CO (Temp °F)*	13

Indoor Unit Only, Pressure Defrost Termination (Temp °F)*

Not Recommended

*Use a Temperature Pressure Chart to determine PSIG conversions.

Estimated Charge (lb)**

4 ft	0.8
6 ft	1.2
8 ft	1.5
12 ft	2.0

**This is an average for all refrigerant types.

Actual refrigerant charge may vary by approximately half a pound.

Impact Elite **ESBDVS** Meat & Delicatessen

Electrical Data

	4 ft	6 ft	8 ft	12 ft
Number of Fans				
Refrigeration (120V 60hz) – 4W	1	2	2	3
Ambient Air Wipe – 15W	2	4	4	6
Export Refrigeration (230V 50 hz) – 4W	1	2	2	3
Export Ambient Air Wipe – 15W	2	4	4	6

Merchandise	Amperes				Watts			
	4 ft	6 ft	8 ft	12 ft	4 ft	6 ft	8 ft	12 ft
Refrigeration Fans								
Standard (120V 60hz)	0.31	0.62	0.62	0.93	24	48	48	72
Export (230V 50 hz)	0.18	0.36	0.36	0.56	27	54	54	81
Ambient Air Wipe Fans								
Standard (120V 60hz)	0.52	1.04	1.04	1.56	45	90	90	135
Export (230V 50 hz)	0.30	0.60	0.60	0.90	50	100	100	150

Constant-on Anti-Sweat Heaters (On/Off Switch Optional)

Standard (120V 60hz)	3.34	6.68	6.68	10.02	400	800	800	1200
Export (230V 50 hz)	1.74	3.48	3.48	5.22	400	800	800	1200

Minimum Circuit Ampacity

With Standard Fans (120V 60hz)	3.95	7.69	7.69	11.44
With Export Fans (230V 50 hz)	2.20	4.20	4.20	6.21

Maximum Over Circuit Protection 120V 20

Maximum Over Circuit Protection 230V 15

Standard Lighting* (120V 60hz)	4 ft	6 ft	8 ft	12 ft	4 ft	6 ft	8 ft	12 ft
2 Row Canopy	0.49	0.98	0.98	1.42	59	118	118	171

Optional Lighting (T-8 fluorescent)

1 Row Rail	0.49	0.49	0.49	0.71	59	59	59	86
1 Row Ledge	0.49	0.49	0.49	0.71	59	59	59	86
1 Row Shelves	0.49	0.49	0.49	0.71	59	59	59	86
2 Row Shelves	0.49	0.98	0.98	1.42	59	118	118	171

115V Lighting Circuit Total = Standard Lighting + Total Optional Lighting + Optional Shelf Lighting

230V Lighting Circuit Total = Multiply 115V Lighting Circuit Total by 0.52

Product Data

<i>ARI Refrigerated Volume</i> ¹ (Cu Ft/Ft)	4.33 ft ³ /ft (0.40 m ³ /m)
<i>Recommended Usable Cube</i> ² (Cu Ft/Ft)	2.55 ft ³ /ft (0.24 m ³ /m)
<i>ARI Total Display Area</i> ³ (Sq Ft/Ft)	4.82 ft ² /ft (1.47 m ² /m)
<i>Shelf Area</i> ⁴ (Sq Ft/Ft)	4.42 ft ² /ft (1.35 m ² /m)

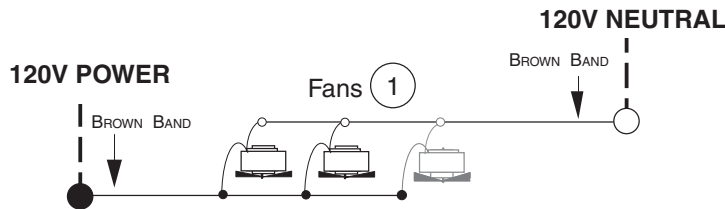
- ¹ Computed using ARI 1200 standard methodology: Refrigerated Volume, ft³ [m³]/Unit of Length, ft [m]
- ² ARI Refrigerated Volume less shelving and other unusable space: Refrigerated Volume/Unit of Length, ft³/ft [m³/m]
- ³ Computed using ARI 1200 standard methodology: Total Display Area, ft² [m²]/Unit of Length, ft [m]
- ⁴ Shelf surface area is composed of bottom deck plus standard shelf complement, as shown in the Hussmann *Product Reference Guide*. The standard shelf complement for this model is NONE. Optional shelving complement is two rows: 1 row of 10-inch shelves and 1 row of 12-inch shelves.

ESTIMATED SHIPPING WEIGHT ⁵					
Case	<i>4 ft</i>	<i>6 ft</i>	<i>8 ft</i>	<i>12 ft</i>	Solid End
					<i>(each)</i>
lb (kg)	600 (272)	700 (318)	1100 (499)	1200 (545)	100 (45)

⁵ Actual weights will vary according to optional kits included.

Fan Wiring Offtime Defrost

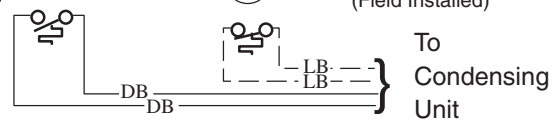
Fans



4 ft case has 1 Fan
6 ft case has 2 Fans
8 ft case has 2 Fans
12 ft case has 3 Fans

Defrost Termination Thermostat (3)

Refrigeration Thermostat (Field Installed) (4)

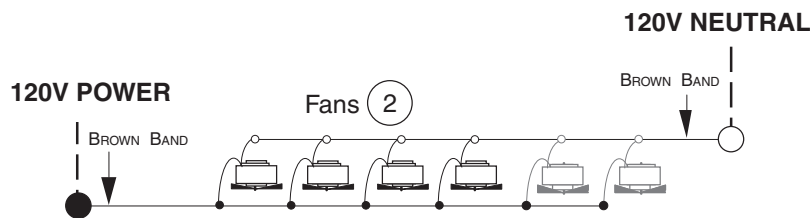


To Condensing Unit

Ambient Fan Wiring Glass Air Wipe

Fans

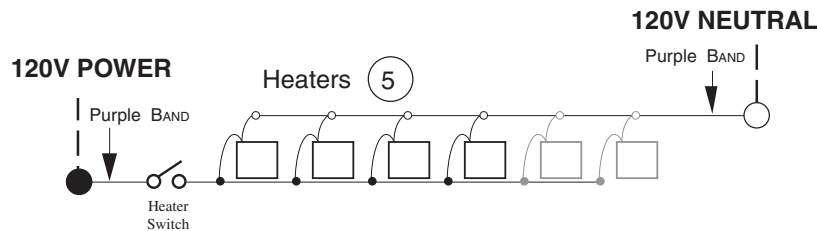
4 ft case has 2 Fans
6 ft case has 4 Fans
8 ft case has 4 Fans
12 ft case has 6 Fans



Ambient Heater Wiring

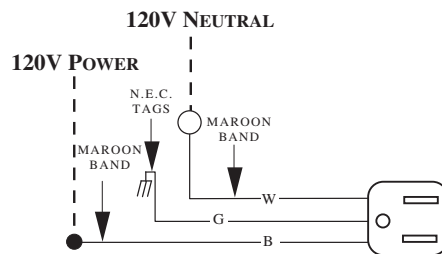
Heaters

4 ft case has 2 Heaters
6 ft case has 4 Heaters
8 ft case has 4 Heaters
12 ft case has 6 Heaters



Receptacles

Electric Service Receptacle

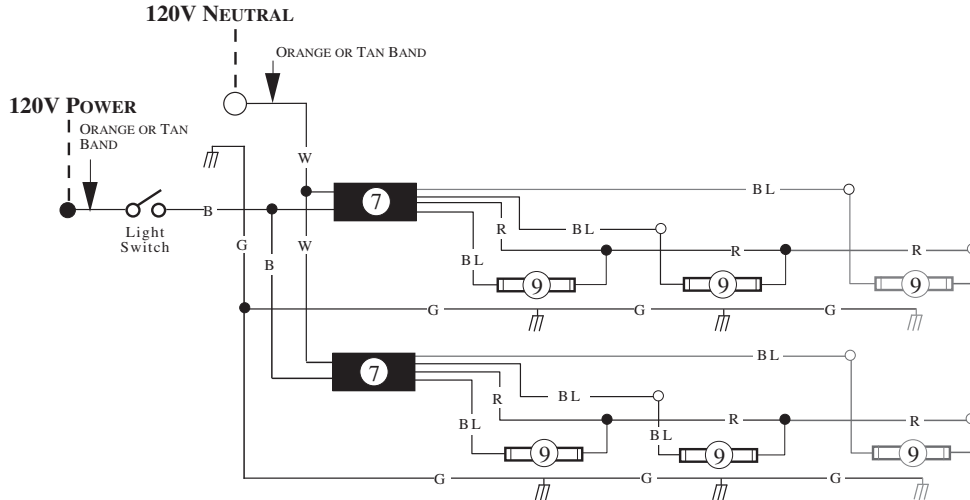


WARNING

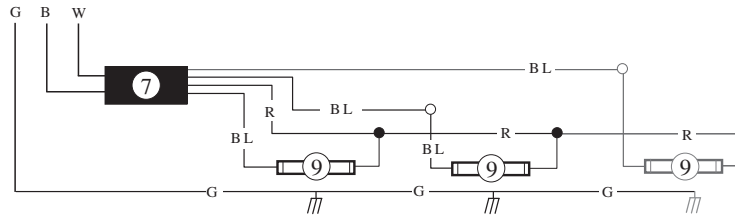
All components must have mechanical ground, and the merchandiser must be grounded.
Circled Numbers = Parts List Item Numbers
Grayed components in 12 foot models only.

R = Red G = Green BL = Blue LB = Light Blue DB = Dark Blue B = Black W = White
● = 120V POWER ○ = 120V NEUTRAL ≡ = Field GROUND ≡ = Case GROUND

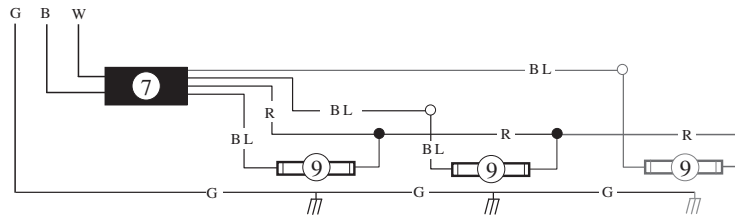
Standard Lighting 2 Row Canopy



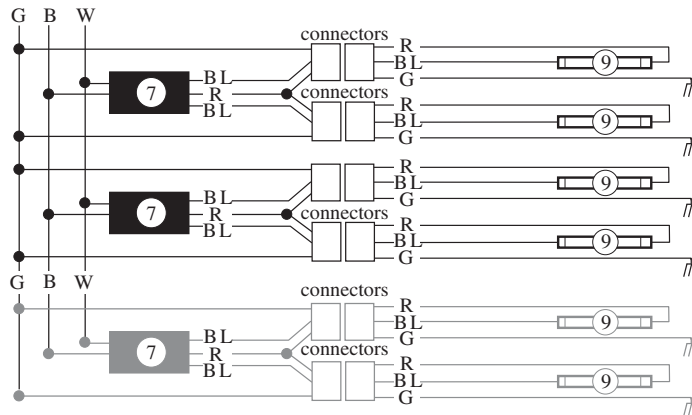
Optional Rail Light Circuit



Optional Ledge Light Circuit



Optional Shelf Harness and Light Circuits



WARNING

All components must have mechanical ground, and the merchandiser must be grounded.

Circled Numbers = Parts List Item Numbers

Grayed components in 12 foot models only.

R = Red G = Green BL = Blue B = Black W = White

● = 120V POWER ○ = 120V NEUTRAL ≡ = Field GROUND ≡ = Case GROUND