

We reserve the right to change or revise specifications and product design in connection with any feature of our products. Such changes do not entitle the buyer to corresponding changes, improvements, additions or replacements for equipment previously sold or shipped.

Item	Part #	Description	Wiring Item #	Item	Part #	Description	Wiring Item #
FAN ASSEMBLIES				LAMPS AND BALLASTS			
4 Ft, 8 Ft & 12 Ft				D. Ballast, Electronic (4)			
A.	25W Standard	Fan Assembly	(1)	0480130	2 lamps (BA.4481676)		
	0501486	Fan Motor, Evaporator (MO.4410702)		0480131	3 lamps (BA.4481654)		
	0501484	Fan Blade (FB.4780657)		0480132	4 lamps (BA.4481677)		
	25W Energy Efficient	Fan Assembly	(1)	E.	Fluorescent Lamp		(5)
	0501485	Fan Motor, Evaporator (MO.4410701)			<i>Replace with like fixtures</i>		
	0501484	Fan Blade (FB.4780657)		LED FIXTURES AND POWER SUPPLY			
THERMOSTATS				F.	0501213	Power Supply (EP.4481861)	(6)
B.	0411744	Standard Non-adjustable Defrost Thermostat (CT.0411744)	(2)	G.	LED Canopy Fixture		(7)
					<i>Replace with like fixtures — See Page 5.</i>		
				H.	LED Shelf Fixture		(8)
					<i>Replace with like fixtures — See Page 5.</i>		
		C. Optional Adjustable Refrigeration Thermostat	(3)				

Note: Revision F adds Btu note (page 3), EcoShine LED (page 4) and parts (page 5), and revises canopy wiring diagram (page 6). Other changes marked by bar, underline or circle.



Engineering Plan Views

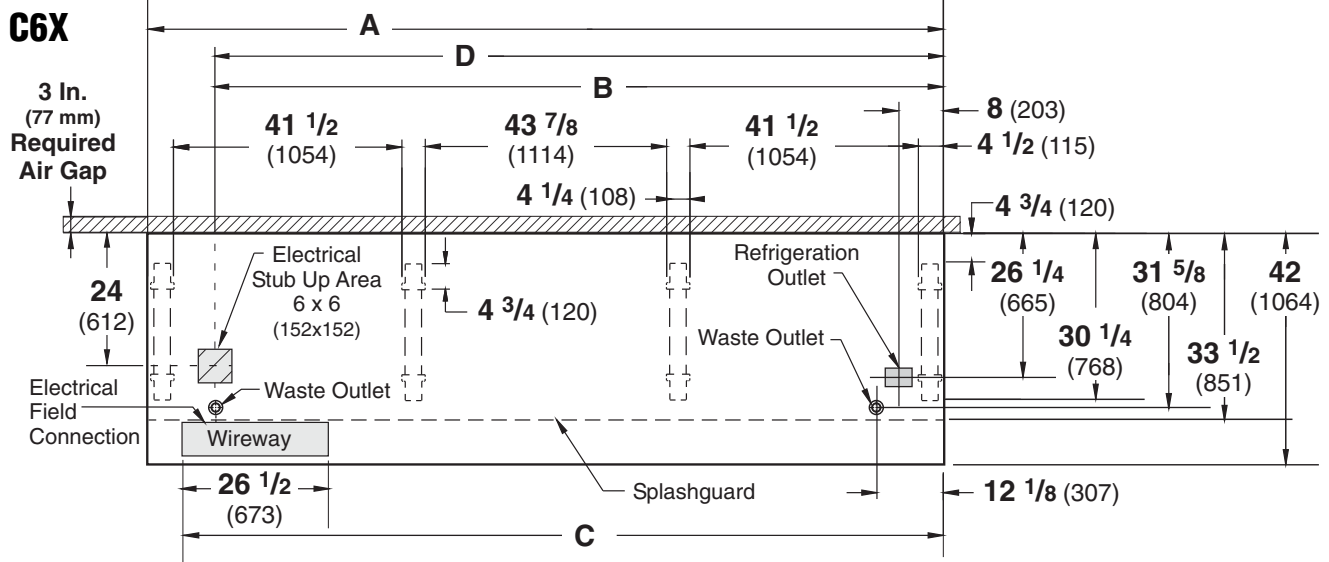
PHYSICAL DATA

Merchandiser Drip Pipe (in.)	1 1/4
Merchandiser Liquid Line (in.)	3/8
Merchandiser Suction Line (in.)	7/8

Convertible





09-2005

Dimensions shown as in. and (mm).

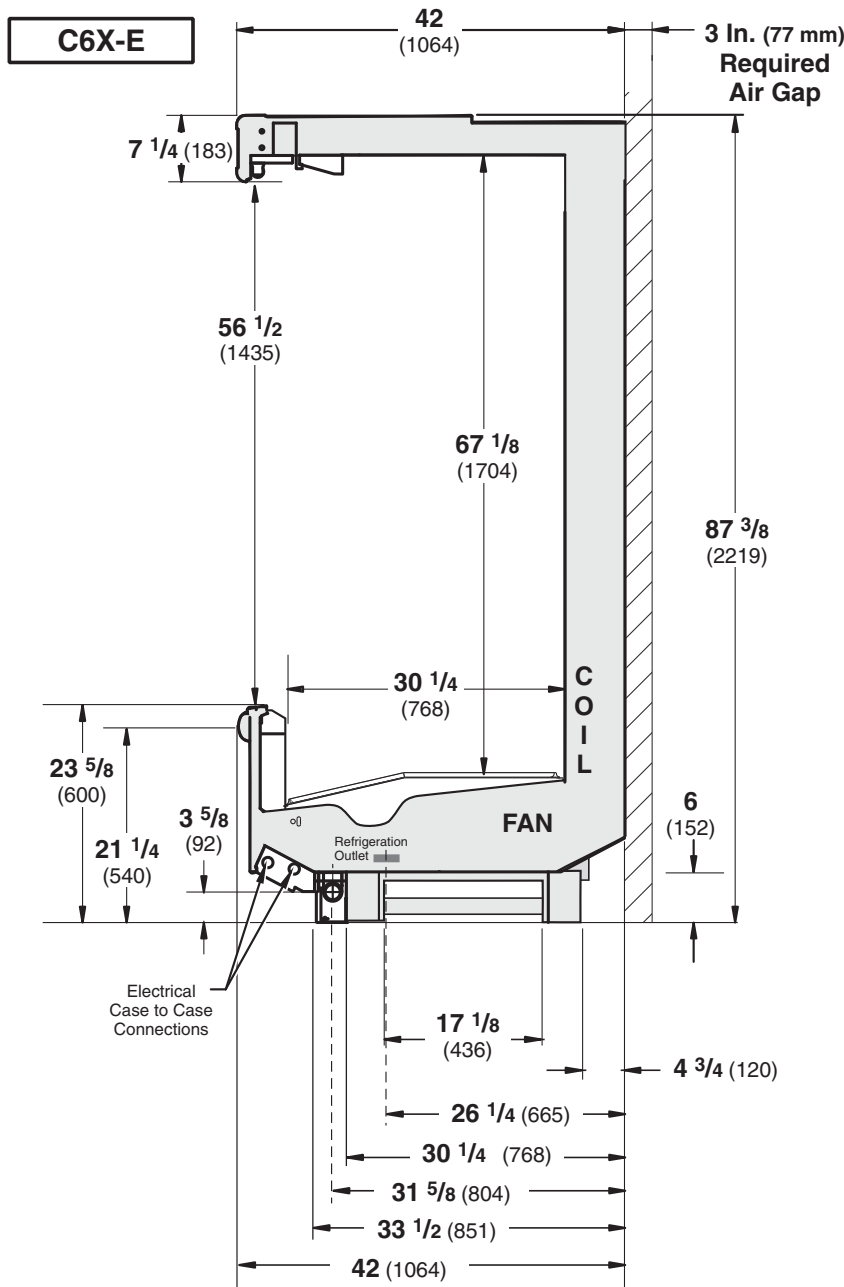


NOTE: Case-to-Case Electrical Connections are made IN FRONT OF SPLASHGUARD.

FRONT

	4 ft	8 ft	12 ft
General			
(A) Case Length (<i>without ends or partitions</i>) (Each end and insulated partition adds 1 1/2 in. (38 mm) to case line up.) Maximum O/S dimension of case back to front (includes bumper)	48 3/8 (1229)	96 3/8 (2448)	144 1/2 (3670)
Back of case to front of splashguard	42 (1064)	42 (1064)	42 (1064)
Back of case to O/S edge of front leg	33 1/2 (851)	33 1/2 (851)	33 1/2 (851)
Distance between edges of external legs and center legs	30 1/4 (768)	30 1/4 (768)	30 1/4 (768)
Distance between edges of center legs	NA	41 1/2 (1054)	41 1/2 (1054)
Distance between front legs and splashguard	NA	NA	43 7/8 (1114)
	2 3/4 (70)	2 3/4 (70)	2 3/4 (70)
Electrical Service  (<i>Electrical Field Wiring connection point</i>)			
(B) RH End of case to center of stub up area	36 1/4 (921)	84 1/4 (2140)	132 3/8 (3363)
Back of case to center of stub up area	24 (612)	24 (612)	24 (612)
Length of electrical wireway 	26 1/2 (673)	26 1/2 (673)	26 1/2 (673)
(C) RH End of case to LH end of wireway	42 1/8 (1070)	90 1/8 (2289)	138 1/4 (3511)
Waste Outlets (<i>One each end</i>) 			
(D) RH End of case to the center of LH waste outlet	36 1/4 (921)	84 1/4 (2140)	132 3/8 (3363)
RH End of case to the center of RH waste outlet	12 1/8 (307)	12 1/8 (307)	12 1/8 (307)
Back O/S of case to center of waste outlets	31 5/8 (804)	31 5/8 (804)	31 5/8 (804)
Schedule 40 PVC drip pipe	1 1/4 (32)	1 1/4 (32)	1 1/4 (32)
Refrigeration Outlet 			
Back of case to center of refrigeration outlet	26 1/4 (665)	26 1/4 (665)	26 1/4 (665)
RH end of case to center of refrigeration outlet	8 (203)	8 (203)	8 (203)

Dimensions shown as in. and (mm).



NSF Certification

This merchandiser model is manufactured to meet ANSI/NSF (National Sanitation Foundation) Standard #7 requirements for construction, materials & cleanability.

Impact *Excel* C6X-E
Meat, Produce, Dairy & Delicatessen

REFRIGERATION DATA

Note: This data is based on store temperature and humidity that does not exceed 75°F and 55% R.H.

C6X-E	Meat	Produce	Dairy
Discharge Air (°F)	29	29	31
Evaporator (°F)	21	21	24
Unit Sizing (°F)	19	19	22

Btu/hr/ft[‡] — Unlit Shelves^{‡‡}

C6X-E	Parallel	Conventional
MEAT	1855	1970
PRODUCE	1850	1970
DAIRY	1760	1870

[‡] Optional energy efficient motors reduce the refrigeration load by 46 Btu/hr/ft.
^{‡‡} Add 10 Btu/hr/ft *per shelf row* for LED fixtures.
Add 20 Btu/hr/ft *per shelf row* for fluorescent lamps.

DEFROST DATA

	C6X-E
Frequency Hr	4
Defrost Water (lb/ft/day)	10.50
(± 15% based on case configuration and product loading).	
OFFTIME	C6X-E
Temp Term °F	48
Failsafe Minutes	30

ELECTRIC OR GAS Not Recommended

Standard Defrost Thermostat

Close on rise: close 48°F — open 33°F

CONVENTIONAL CONTROLS

Low Pressure Backup Control

CI/CO*	C6X-E		
	Meat	Produce	Dairy
	14°F / 4°F	14°F / 4°F	17°F / 7°F

Indoor Unit Only, Pressure Defrost

Termination* 48°F

*Use a Temperature Pressure Chart to determine PSIG conversions.

Estimated Charge **

	C6X-E		
4 ft	1.6 lb	26 oz	0.7 kg
8 ft	3.2 lb	51 oz	1.5 kg
12 ft	4.5 lb	72 oz	2.0 kg

**This is an average for all refrigerant types. Actual refrigerant charge may vary by approximately half a pound.

Impact Excel C6X-E
Meat, Produce, Dairy & Delicatessen

	4 ft	8 ft	12 ft
Number of Fans—25W	1	2	3

Electrical Data

Evaporator Fan	Amperes			Watts		
	4 ft	8 ft	12 ft	4 ft	8 ft	12 ft
120V 60Hz Standard	1.23	2.46	3.69	90	180	270
120V 50Hz Standard	1.33	2.66	3.99	103	206	309
230V 60Hz Export	0.66	1.32	1.98	100	200	300
230V 50Hz Export	0.76	1.52	2.28	114	228	342
120V 60Hz Energy Efficient	0.60	1.20	1.80	36	72	108
230V 60Hz Energy Efficient	0.30	0.60	0.90	36	72	108

Minimum Circuit Ampacity

120V 60Hz Standard	1.43	2.66	3.89
120V 50Hz Standard	1.53	2.86	4.19
230V 60Hz Export	0.86	1.52	2.18
230V 50Hz Export	0.96	1.72	2.48
120V 60Hz Energy Efficient	0.80	1.40	2.00
230V 60Hz Energy Efficient	0.50	0.80	1.10

Maximum Over Current Protection 120V

Maximum Over Current Protection 120V	20	20	20
Maximum Over Current Protection 230V	15	15	15

Standard Lighting (T-8 Fluorescent)

1 Row Canopy	0.26	0.51	0.77	30	59	85
--------------	------	------	------	----	----	----

Optional Lighting (T-8 Fluorescent)

Additional 1 Row Canopy	0.26	0.51	0.77	30	59	85
Additional 2 Row Canopy	0.51	1.02	1.54	59	118	170
Additional 3 Row Canopy	0.77	1.53	2.31	89	177	255
1 Row Rail Light	0.26	0.51	0.77	30	59	85
1 Row of Shelves	0.26	0.51	0.77	30	59	85
2 Rows of Shelves	0.51	1.02	1.54	59	118	170
3 Rows of Shelves	0.77	1.53	2.31	89	177	255
4 Rows of Shelves	1.02	2.04	3.08	118	236	340
5 Rows of Shelves	1.28	2.55	3.85	148	295	425
6 Rows of Shelves	1.53	3.06	4.62	177	354	510

Optional EcoShine Multi-deck — Normal CRI — 120VAC, 50/60Hz

2 Row Canopy (Front & Rear)	0.28	0.55	0.82	33	66	98
1 Row of Shelves	0.10	0.20	0.29	12	24	35
2 Rows of Shelves	0.20	0.39	0.58	24	47	70
3 Rows of Shelves	0.29	0.58	0.88	35	70	105
4 Rows of Shelves	0.39	0.78	1.17	47	93	140
5 Rows of Shelves	0.48	0.97	1.45	58	116	174
6 Rows of Shelves	0.58	1.17	1.74	70	140	209
7 Rows of Shelves	0.68	1.36	2.03	82	163	244

Optional EcoShine Multi-deck — High CRI — 120VAC, 50/60Hz

2 Row Canopy (Front & Rear)	0.32	0.63	0.93	38	75	112
1 Row of Shelves	0.12	0.23	0.35	14	28	42
2 Rows of Shelves	0.23	0.47	0.70	28	56	84
3 Rows of Shelves	0.35	0.70	1.05	42	84	126
4 Rows of Shelves	0.47	0.93	1.40	56	112	168
5 Rows of Shelves	0.58	1.17	1.75	70	140	210
6 Rows of Shelves	0.70	1.40	2.10	84	168	252
7 Rows of Shelves	0.82	1.63	2.45	98	196	294

120V Lighting Circuit Total = Standard Lighting + Total Optional Lighting + Optional Shelf Lighting

230V Lighting Circuit Total = Multiply 120V Lighting Circuit Total by 0.52

Product Data

<i>Recommended Usable Cube</i> ¹ (Cu Ft/Ft)	9.79 ft ³ /ft (0.91 m ³ /m)
<i>AHRI Total Display Area</i> ² (Sq Ft/Ft)	4.92 ft ² /ft (1.50 m ² /m)
<i>Shelf Area</i> ³ (Sq Ft/Ft)	11.73 ft ² /ft (3.58 m ² /m)

¹ AHRI Refrigerated Volume less shelving and other unusable space: Refrigerated Volume/Unit of Length, ft³/ft [m³/m]

² Computed using AHRI 1200 standard methodology: Total Display Area, ft² [m²]/Unit of Length, ft [m]

³ Shelf surface area is composed of bottom deck plus standard shelf complement, as shown in the Hussmann *Product Reference Guide*. The standard shelf complement for this model is (5) rows of 22-inch shelves.

ESTIMATED SHIPPING WEIGHT⁴

Case				Solid End
	<i>4 ft</i>	<i>8 ft</i>	<i>12 ft</i>	<i>(each)</i>
lb (kg)	600 (272)	1200 (544)	1900 (862)	100 (45)

⁴ Actual weights will vary according to optional kits included.

PARTS LIST (Continued from Page 1)

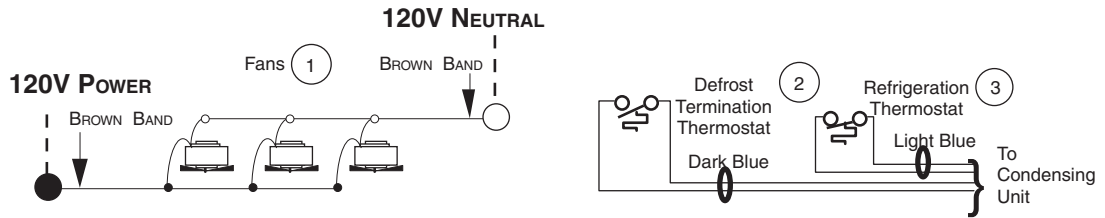
Item	Part #	Description	Item	Part #	Description
LED FIXTURES AND POWER SUPPLY					
F.	0501213	Power Supply (EP.4481861)	(6)	H.	EcoShine LED Shelf Fixture
G.	EcoShine LED Canopy Fixture		(7)	4441590	48-inch 2900K HCRI
	4441720	Front 48-inch		4441591	48-inch 3500K HCRI
	4441722	Front 48-inch		4441592	48-inch 3500K
	4441724	Front 48-inch		4441593	48-inch 4100K
	4441726	Front 48-inch			
	4441721	Rear 48-inch			
	4441723	Rear 48-inch			
	4441725	Rear 48-inch			
	4441727	Rear 48-inch			

Note: Always*Bright lamps will be replaced with the latest generation of EcoShine lamps.

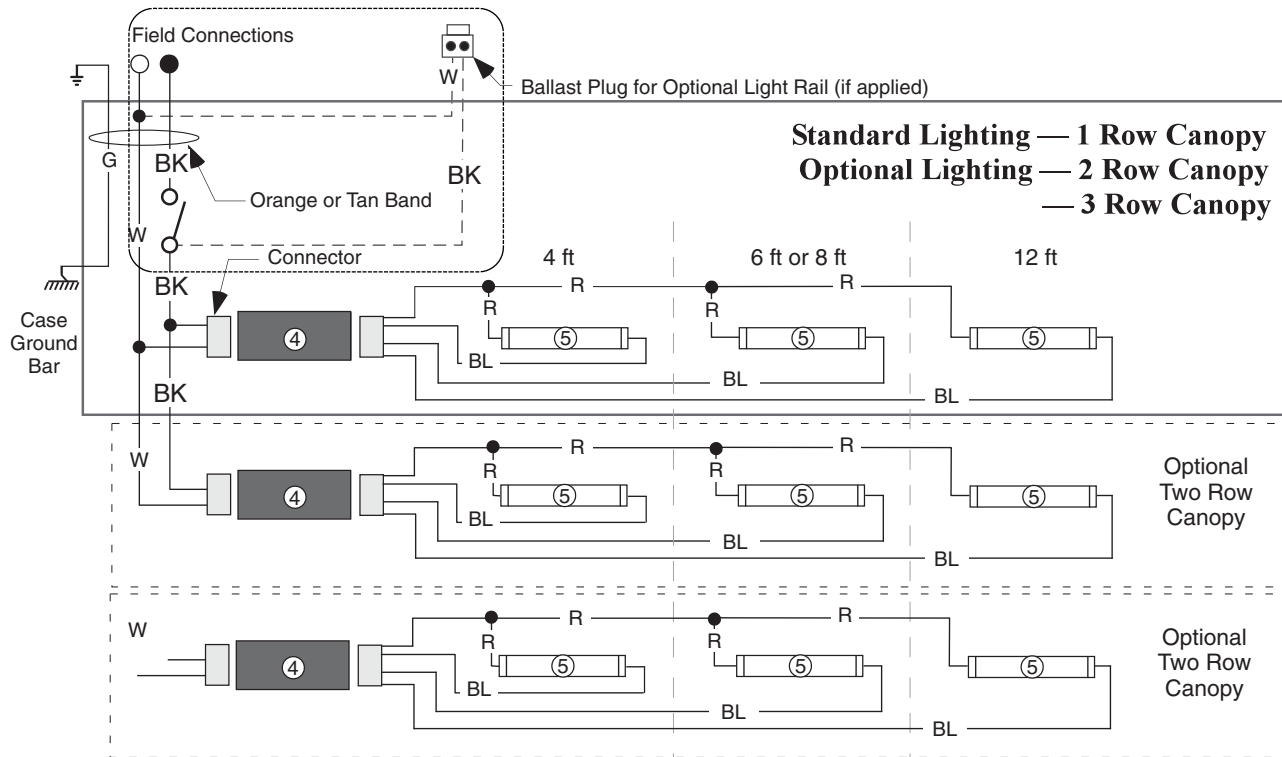
Fan Wiring Offtime Defrost

1, 2 & 3 Fans

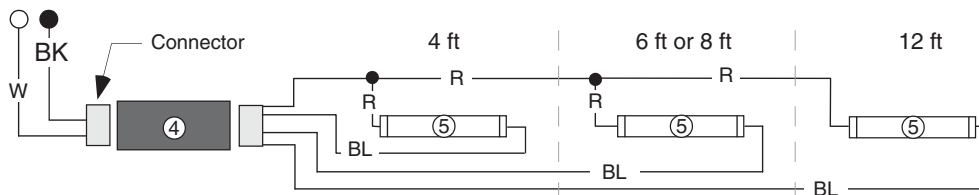
- 4 ft — 1 Fan
- 8 ft — 2 Fans
- 12 ft — 3 Fans



Light Circuits — Fluorescent Fixtures



Optional Lighting — 1 Row Rail



WARNING

All components must have mechanical ground, and the merchandiser must be grounded.

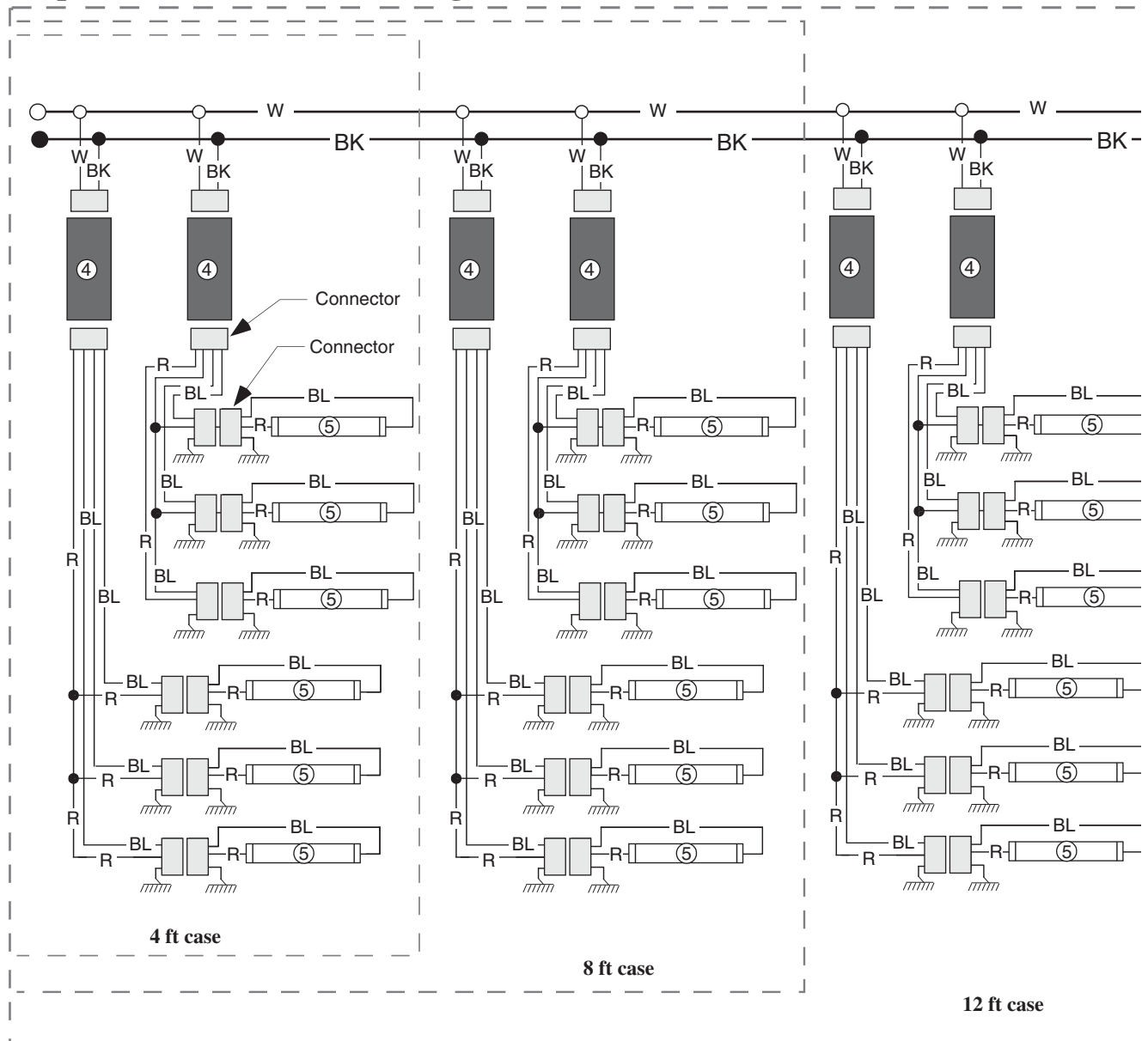
CIRCLED NUMBERS = PARTS LIST ITEM NUMBERS

R = Red Y = Yellow G = Green BL = Blue BK = Black W = White

● = 120V POWER ○ = 120V NEUTRAL ⊥ = FIELD GROUND *mm* = CASE GROUND

Optional Shelf Lighting Fluorescent Fixtures

Optional Shelf Harness and Light Circuits for Six Rows of Shelves



WARNING

All components must have mechanical ground, and the merchandiser must be grounded.

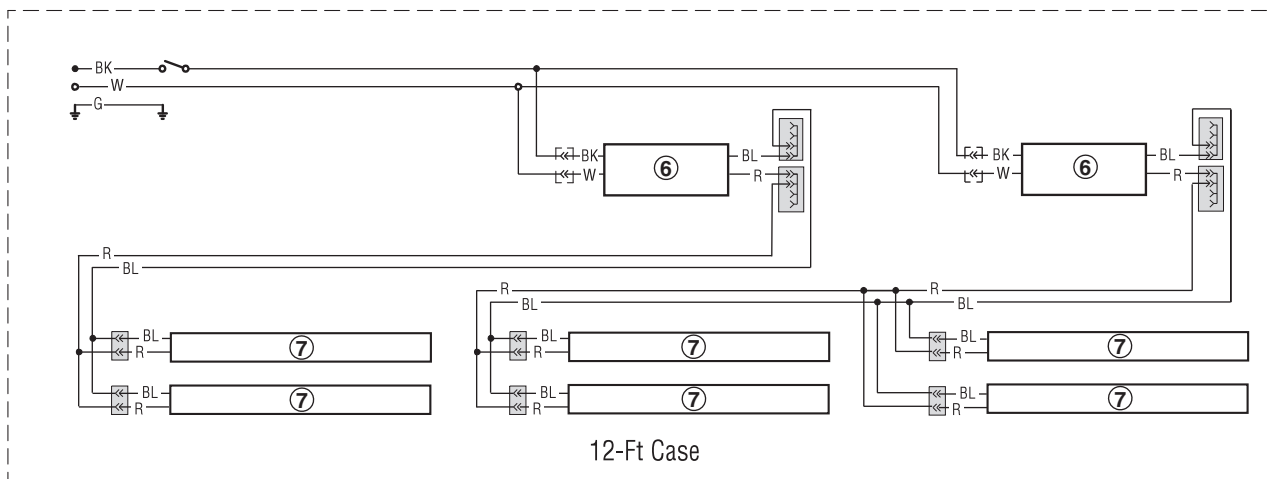
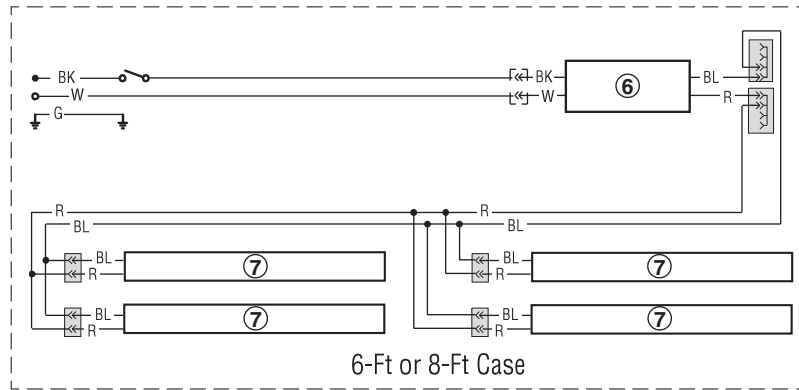
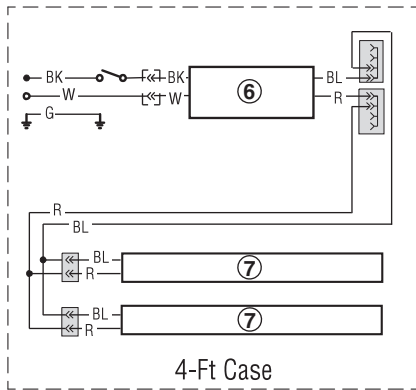
CIRCLED NUMBERS = PARTS LIST ITEM NUMBERS

R = Red Y = Yellow G = Green BL = Blue BK = Black W = White

● = 120V POWER ○ = 120V NEUTRAL ⊥ = FIELD GROUND ≡ = CASE GROUND

Optional Canopy Lighting LED Fixtures

Standard LED Canopy Lighting — 2 Row Canopy



WARNING

All components must have mechanical ground, and the merchandiser must be grounded.

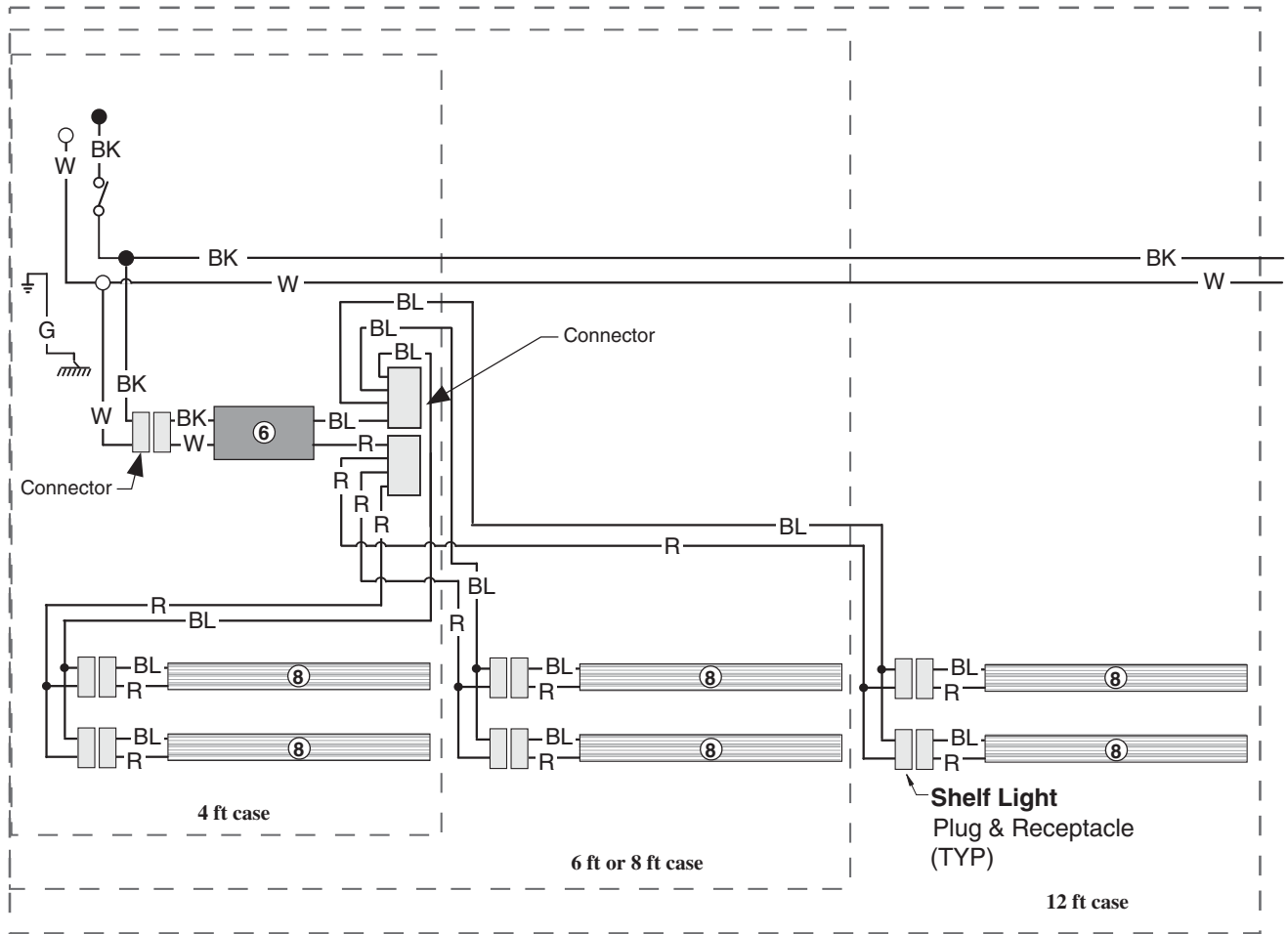
CIRCLED NUMBERS = PARTS LIST ITEM NUMBERS

R = Red Y = Yellow G = Green BL = Blue BK = Black W = White

● = 120V POWER ○ = 120V NEUTRAL ⊥ = FIELD GROUND ≡ = CASE GROUND

Optional Shelf Lighting LED Fixtures

Optional Shelf Harness and LED Light Circuits for Two Rows of Shelves



WARNING

All components must have mechanical ground, and the merchandiser must be grounded.

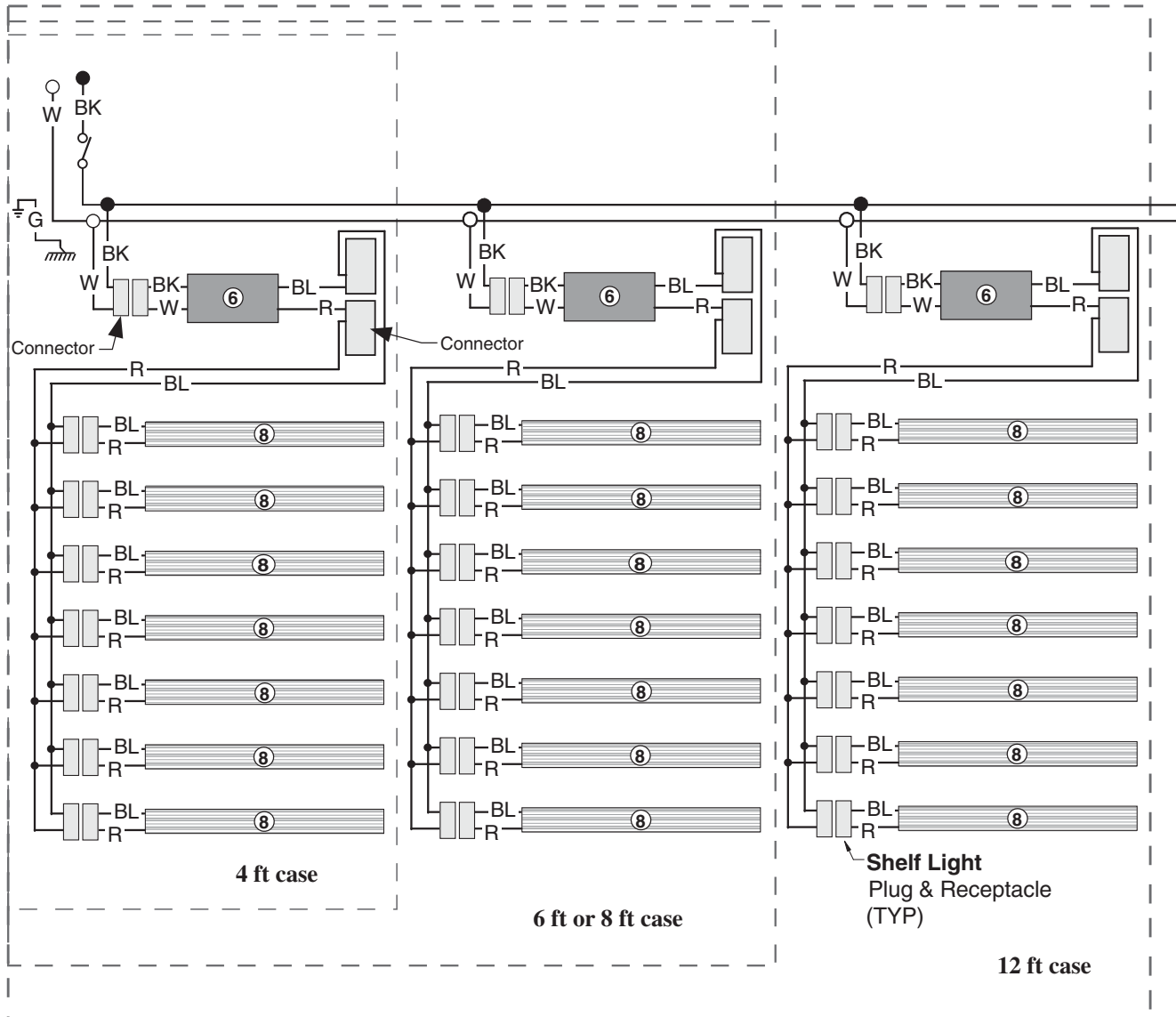
CIRCLED NUMBERS = PARTS LIST ITEM NUMBERS

R = Red G = Green BL = Blue BK = Black W = White

● = 120V POWER ○ = 120V NEUTRAL ⊥ = FIELD GROUND $\overline{\overline{\overline{\quad}}}$ = CASE GROUND

Optional Shelf Lighting LED Fixtures

Optional Shelf Harness and LED Light Circuits for 3, 4, 5, 6 & 7 Rows of Shelves



WARNING

All components must have mechanical ground, and the merchandiser must be grounded.

CIRCLED NUMBERS = PARTS LIST ITEM NUMBERS

R = Red G = Green BL = Blue BK = Black W = White

● = 120V POWER ○ = 120V NEUTRAL ⚡ = FIELD GROUND *mm* = CASE GROUND