

Item	Part #	Description	Wiring Item #	Item	Part #	Description	Wiring Item #
<b>FAN ASSEMBLIES, AND THERMOSTATS</b>				<b>LAMPS AND BALLASTS</b>			
A.	<u>4W Fan Assembly</u>		(1)	None			
	0392457	Fan Motor, Evaporator					
	0376413	Fan Blade embossing toward motor					
B.	0382028	Standard Non-adjustable Thermostat	(2)				
C.	0137880	Optional Adjustable Refrigeration Thermostat	(3)				

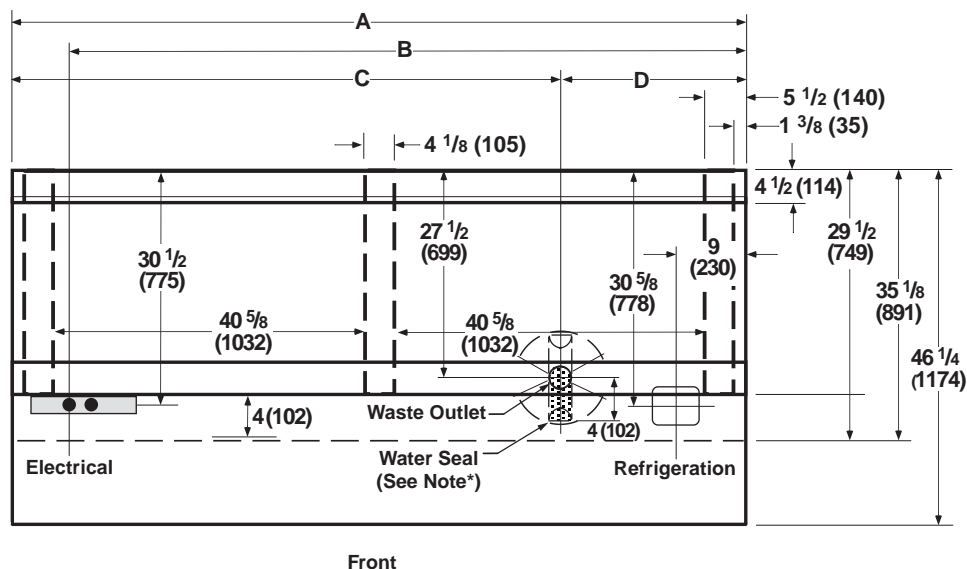
**Note:** Changed items have been underlined.

# Engineering Plan Views

Dimensions shown as inches and (mm).

## Bulk Produce

06-2003



General	8 Ft	12 ft
<b>(A)</b> Length of Case ( <i>without ends or partitions</i> )	96 <sup>3</sup> / <sub>8</sub> (2448)	144 <sup>1</sup> / <sub>2</sub> (3670)
Maximum outside dimensions of case back to front ( <i>includes bumper</i> )	46 <sup>1</sup> / <sub>4</sub> (1174)	46 <sup>1</sup> / <sub>4</sub> (1174)
Back of case to front of splashguard	35 <sup>1</sup> / <sub>8</sub> (891)	35 <sup>1</sup> / <sub>8</sub> (891)
Back of case to outside edge of front skidrail	29 <sup>1</sup> / <sub>2</sub> (749)	29 <sup>1</sup> / <sub>2</sub> (749)
Width of skidrail	4 <sup>1</sup> / <sub>2</sub> (114)	4 <sup>1</sup> / <sub>2</sub> (114)
Right end of case to outside edge of external support	5 <sup>1</sup> / <sub>2</sub> (140)	5 <sup>1</sup> / <sub>2</sub> (140)
Distance between inside edges of external support and center support	40 <sup>5</sup> / <sub>8</sub> (1032)	40 <sup>5</sup> / <sub>8</sub> (1032)
Distance between inside edges of center supports	NA	44 (1118)
Stub-up area between front skidrail and splashguard	4 (102)	4 (102)
<b>Electrical Service</b> ( <i>Electrical Field Wiring connection point</i> )		
<b>(B)</b> Right end of case to center of farthest knockout	88 <sup>3</sup> / <sub>8</sub> (2245)	136 <sup>1</sup> / <sub>2</sub> (3467)
Back outside of case to center of knockout	30 <sup>1</sup> / <sub>2</sub> (775)	30 <sup>1</sup> / <sub>2</sub> (775)
Length of electrical raceway	34 <sup>1</sup> / <sub>2</sub> (878)	34 <sup>1</sup> / <sub>2</sub> (878)
<b>Waste Outlet</b>		
<b>(C)</b> Left end of case to center of waste outlet	72 <sup>1</sup> / <sub>4</sub> (1835)	72 <sup>1</sup> / <sub>4</sub> (1835)
<b>(D)</b> Right end of case to center of waste outlet	24 <sup>1</sup> / <sub>8</sub> (613)	72 <sup>1</sup> / <sub>4</sub> (1835)
Back outside of case to center of waste outlet	27 <sup>1</sup> / <sub>2</sub> (699)	27 <sup>1</sup> / <sub>2</sub> (699)
<b>Water Seal</b>		
Edge of water seal to center of waste outlet	4 (102)	4 (102)
Outside diameter of drip pipe	1 <sup>1</sup> / <sub>2</sub> (38)	1 <sup>1</sup> / <sub>2</sub> (38)
<b>*Note:</b> Water seal outlet must clear front skid rail.		
<b>Refrigeration Outlet</b>		
Right end of case to center of refrigeration outlet	9 (230)	9 (230)
Back outside of case to center of refrigeration outlet	30 <sup>5</sup> / <sub>8</sub> (778)	30 <sup>5</sup> / <sub>8</sub> (778)

**Impact P1X**  
**Bulk Produce**

**REFRIGERATION DATA**

**Note:** This data is based on store temperature and humidity that does not exceed 75°F and 55% R.H.

	P1X	P1XE
<b>Discharge Air °F</b>	31	31
<b>Evaporator °F</b>	21	24
<b>Unit Sizing °F</b>	19	22

<b>Btu/hr/ft**</b>	P1X	P1XE
<b>Parallel</b>	603	575
<b>Conventional</b>	638	610

\*\*For all refrigeration equipment other than Hussmann, use conventional BTU values.

**DEFROST DATA**

	P1X	P1XE
<b>Frequency (hr)</b>	8	8
<b>Defrost Water (lb/ft/day)</b>	4	4

(±15% based on case configuration and product loading.)

<b>OFFTIME</b>	P1X	P1XE
<b>Temp Term °F</b>	43°F	43°F
<b>Failsafe Minutes</b>	35	35

**ELECTRIC OR GAS** Not Recommended

**Standard Defrost Thermostat**

Close on rise: close 43°F — open 33°F

**CONVENTIONAL CONTROLS**

**Low Pressure Backup Control**

	P1X	P1XE
<b>CI/CO**</b>	14/4°F	17/7°F

**Indoor Unit Only, Pressure Defrost Termination\*\***

48°F

\*\*Use a Temperature Pressure Chart to determine PSIG conversions.

**PHYSICAL DATA**

<b>Merchandise Drip Pipe (in.)</b>	1 1/2
<b>Liquid Line (in.)</b>	3/8
<b>Suction Line (in.)</b>	5/8

**Estimated Charge (lbs)\*\*\***

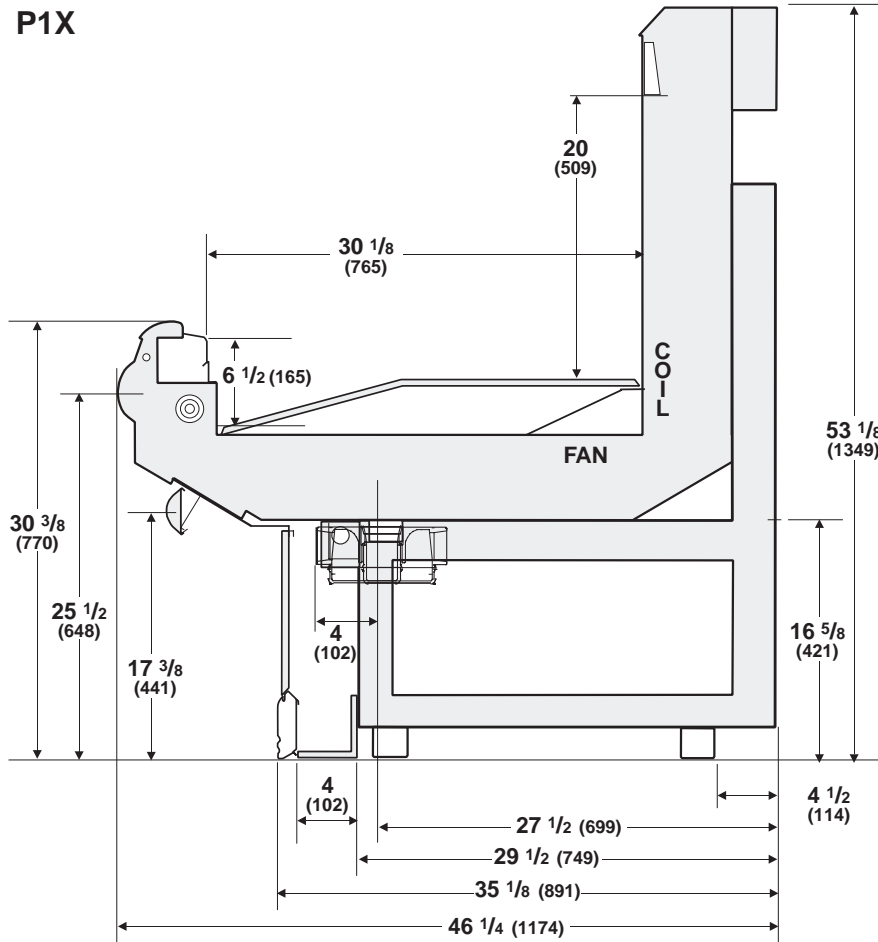
	P1X	P1XE
<b>8 ft</b>	1.5	1.7
<b>12 ft</b>	2.0	2.3

\*\*\*This is an average for all refrigerant types actual refrigerant charge may vary by approximately half a pound.

**Length (in.) Added to Lineup by Each End or Insulated Partition** 1 1/2

Dimensions shown as inches and (mm).

**P1X**



**NSF Certification**

These merchandisers are manufactured to meet ANSI /National Sanitation Foundation (NSF®) Standard #7 requirements.

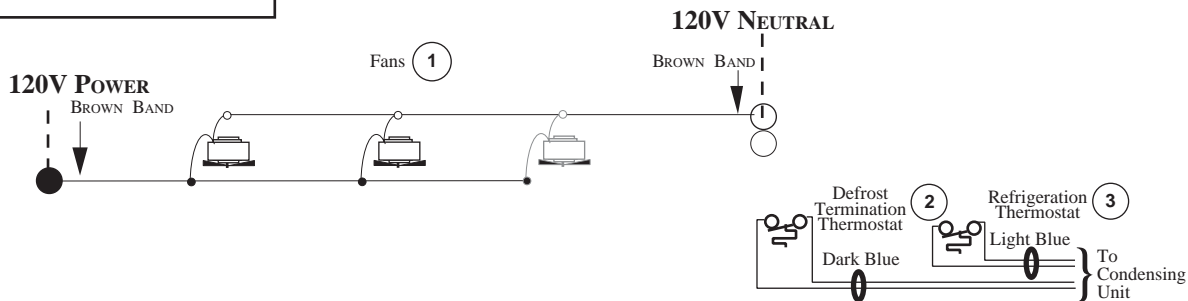
**Impact P1X**  
**Bulk Produce**

**Electrical Data**

	8 ft	12 ft		
<b>Number of Fans — 4W</b>	<b>2</b>	<b>3</b>		
	Amperes		Watts	
	8 ft	12 ft	8 ft	12 ft
<b>Merchandiser</b>				
<b>Fans</b>				
Standard (120V 60Hz)	0.62	0.93	72	120
Export (230V 50Hz)	0.36	0.54	54	81
Energy Efficient (120V 60Hz)	0.28	0.42	20	30
<b>Constant on Anti-sweat Heaters</b>	NA			
<b>Cycling Anti-sweat Heaters</b>	NA			
<b>Minimum Circuit Ampacity</b>				
With Standard Fans (120V 60Hz)	0.82	1.13		
Export (230V 50Hz)	0.56	0.74		
With Energy Efficient Fans (120V 60Hz)	0.48	0.62		
<b>Maximum Over Current Protection 120V</b>	20	20		
<b>Supplemental Gas Heaters</b>	NA			
<b>208V 1Φ Electric Defrost</b>	NA			
<b>Standard Lighting</b>				
None				
<b>Optional Lighting</b>				
None				
<b>Optional Shelf Lighting</b>				
None				

**Fan Wiring**  
**Offtime Defrost**

**2 & 3 Fans**



**WARNING**

All components must have mechanical ground, and the merchandiser must be grounded.

CIRCLED NUMBERS = PARTS LIST ITEM NUMBERS

GRAYED COMPONENTS IN 12 FOOT MODELS ONLY.

● = 120V POWER    ○ = 120V NEUTRAL