

We reserve the right to change or revise specifications and product design in connection with any feature of our products. Such changes do not entitle the buyer to corresponding changes, improvements, additions or replacements for equipment previously sold or shipped.

Item	Part #	Description	Wiring Item #	Item	Part #	Description	Wiring Item #
<b>FAN ASSEMBLIES</b>				<b>HEATERS</b>			
A.	0392457	Fan Motor, Evaporator 115V, 4WSP, CW (MO.4410101)	(1)	C.	Anti-Sweat Heater – Service Door Frame <u>0494978</u> 4 ft case (HE.4850717) <u>0494979</u> 6 ft case (HE.4850718)		(3)
	0425336	Fan Blade, 6 Inch, 20°, CW embossing toward motor, 4 ft case (FB.0425336)		D.	Anti-Sweat Heater – Drain Line <u>0494988</u> 4 ft case (HE.4850722) <u>0494988</u> 6 ft case (HE.4850722)		(4)
	0420242	6 ft case (FB.4780638)		E.	Defrost Heater – Gravity Coil, 208V <u>0486058</u> 4 ft case (HE.4850705) <u>0486059</u> 6 ft case (HE.4850706)		(5)
B.	0404551	Fan Motor, Ambient 115V, 15W, CW (MO.0404551)	(2)	F.	Defrost Heater – Blower Coil, 208V <u>0486056</u> 4 ft case (HE.4850703) <u>0486057</u> 6 ft case (HE.4850704)		(6)
				<b>LAMPS AND BALLASTS</b>			
				G.	0355716	Ballast, Electronic <b>2 lamps</b> (BA.0355716)	(7)
				H.		Fluorescent Lamp <i>Replace with like fixtures</i>	(8)

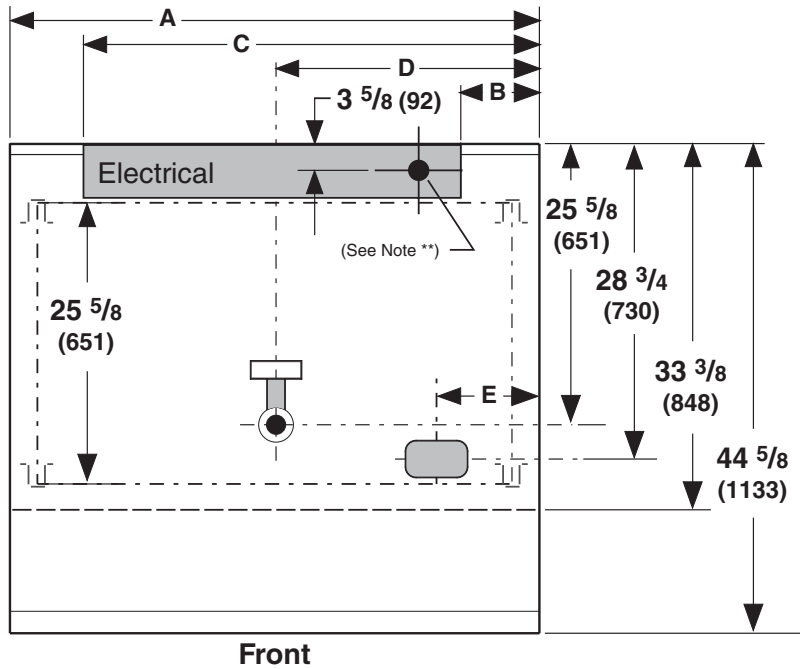
**Note: Changed items have been underlined.**

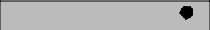



# Engineering Plan Views

Dimensions shown as inches & (mm).

## Specialty Seafood Multi-pane Flat Glass Gravity Coil Model

SLGV  
01-2003



	4 ft	6 ft	8 ft	12 ft
<b>General</b>				
<b>(A)</b> Case Length*	48 1/4 (1226)	72 1/4 (1835)	NA	NA
Maximum O/S dimension of case back to front <i>(Note: Includes bumper)</i>	46 (1168)	46 (1168)		
Back of case to O/S edge of front bumper	44 5/8 (1133)	44 5/8 (1133)		
Back of case to front of splashguard	33 3/8 (848)	33 3/8 (848)		
Center of rear legs to center of front legs	25 5/8 (651)	25 5/8 (651)		
* Each End and Partition adds 1 1/2 in. (38 mm) to the length of the lineup.				
<b>Electrical Service</b> 				
<b>(B)</b> RH end of case to Electrical raceway right edge	7 (178)	7 (178)		
<b>(C)</b> RH end of case to Electrical raceway left edge	41 3/8 (1051)	32 3/4 (831)		
Back of case to center of knockout	3 5/8 (92)	3 5/8 (92)		
** Electrical Field Wiring Connection Point				
<b>Waste Outlet</b> 				
<b>(D)</b> RH end of case to the center of waste outlet	24 (610)	24 (610)		
Back of case to center of waste outlet	25 5/8 (651)	25 5/8 (651)		
<b>Water Seal</b>				
Center of tee to center of waste outlet 	11 3/8 (289)	11 3/8 (289)		
Outside diameter of drip piping	1 1/2 (38)	1 1/2 (38)		
Note: Field installed water seal outlets, tees, and connectors are shipped with the merchandiser				
<b>Refrigeration Outlet</b> 				
Back of case to center of refrigeration outlet	28 3/4 (730)	28 3/4 (730)		
<b>(E)</b> RH end of case to center of refrigeration outlet	9 3/8 (238)	9 3/8 (238)		
Outside diameter of the liquid line	3/8 (9.5)	3/8 (9.5)		
Outside diameter of the suction line	5/8 (16)	5/8 (16)		

**Impact SLGV**  
**Low Temp Specialty Seafood**

**REFRIGERATION DATA**

**Note:** This data is based on store temperature and humidity that does not exceed 75°F and 55% R.H.

	<b>SLGV</b>
<b>Discharge Air (°F)</b>	-12
<b>Evaporator(°F)</b>	-20
<b>Unit Sizing (°F)</b>	-23
<b>Btu/hr/ft</b>	<b>SLGV</b>
<b>Parallel</b>	430
<b>Conventional</b>	460

**DEFROST DATA**

	<b>SLGV</b>
<b>Frequency (hr)</b>	24
<b>Defrost Water (lb/ft/day)</b>	0.25
<small>(± 15% based on case configuration and product loading).</small>	

<b>ELECTRIC</b>	<b>SLGV</b>
<b>Temp Term (°F)</b>	NA
<b>Failsafe (minutes)</b>	30

**OFFTIME OR GAS**  
Not Recommended

**Standard Defrost Thermostat — NA**

**CONVENTIONAL CONTROLS**

<b>Low Pressure Backup Control</b>	<b>SLGV</b>
<b>CI/CO*</b>	-27°F / -37°F

**Indoor Unit Only, Pressure Defrost Termination (Temp °F)\***  
Not Recommended

\*Use a Temperature Pressure Chart to determine PSIG conversions.

**PHYSICAL DATA**

<b>Merchandiser</b>	<b>SLGV</b>
<b>Drip Pipe (in.)</b>	1 1/2
<b>Liquid Line (in.)</b>	3/8
<b>Suction Line (in.)</b>	5/8

**Estimated Charge (lb)\*\***

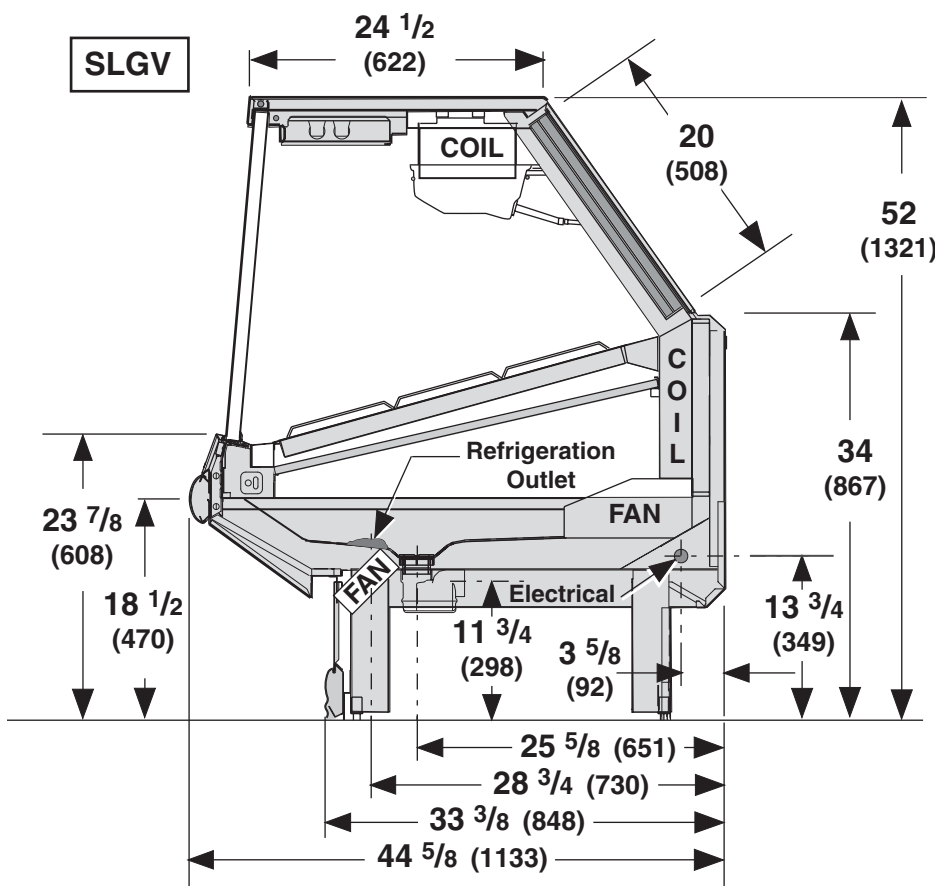
<b>4 ft</b>	<u>0.8</u>
<b>6 ft</b>	<u>1.2</u>
<b>8 or 12 ft</b>	NA

\*\*This is an average for all refrigerant types. Actual refrigerant charge may vary by approximately half a pound.

**Length Added to Lineup by:**

<b>Each Plastic End w/Bumper (in.)</b>	3 1/2
<b>Each End/Partition (in.)</b>	1 1/2

Dimensions shown as in. & (mm).



**NSF Certification**

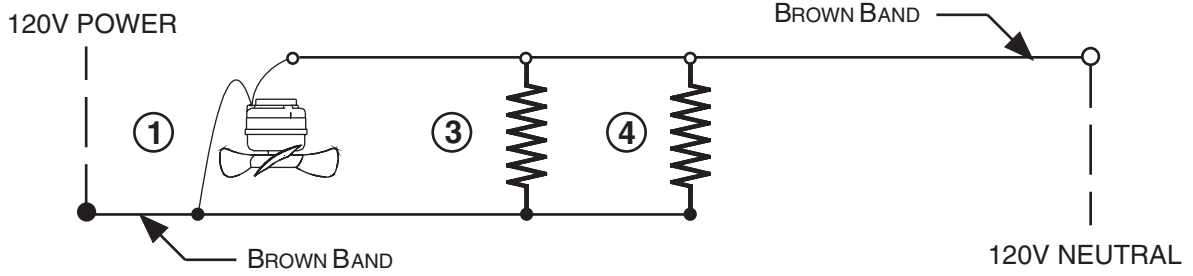
These merchandisers are manufactured to meet ANSI /National Sanitation Foundation (NSF®) Standard #7 requirements.

## Electrical Data

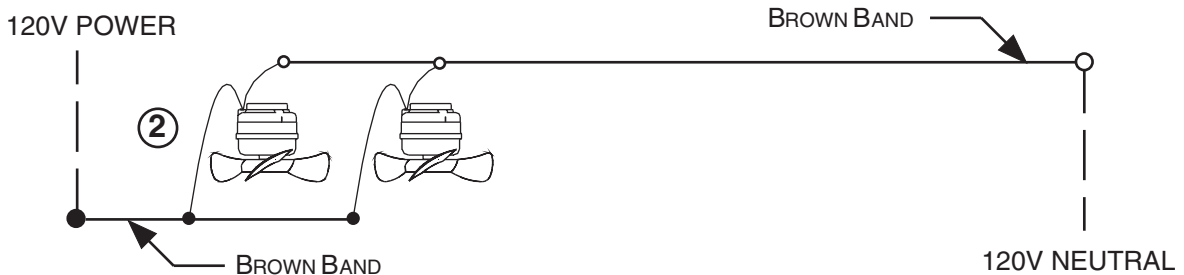
	4 ft	6 ft	8 ft	12 ft
<b>Number of Fans</b>			NA	NA
<b>Refrigeration – 4W</b>	1	2		
120V/60hz System				
<b>Ambient Air Wipe – 15W</b>	2	4		
<b>Export – 9W</b>	NA	NA		
(Export: 230V 50 hz shown)				

<b>Merchandiser</b>	<b>Amperes</b>				<b>Watts</b>			
	4 ft	6 ft	8 ft	12 ft	4 ft	6 ft	8 ft	12 ft
<b>Fans (Refrigeration)</b>								
Standard	0.31	0.58	NA	NA	24	36	NA	NA
Energy Efficient	NA	NA			NA	NA		
Export: 230V 50 hz	NA	NA			NA	NA		
<b>Fans (Ambient Air Wipe)</b>								
Fans – Ambient Air Wipe	0.52	1.04			30	60		
Energy Efficient	NA	NA			NA	NA		
Export: 230V 50 hz	NA	NA			NA	NA		
<b>Anti-sweat Heaters on Fan Circuit</b>	1.28	1.92			154	230		
<b>Constant On Anti-sweat Heaters</b>	NA	NA			NA	NA		
<b>Cycling Anti-sweat Heaters</b>	NA	NA			NA	NA		
<b>Minimum Circuit Ampacity</b>								
With Standard Fans (60 hz)	2.31	3.95						
With Energy Efficient Fans	NA	NA						
With Export: 230V 50 hz Fans	NA	NA						
<b>Maximum Over Current Protection 120V</b>	<b>20</b>	<b>20</b>						
<b>Defrost</b>								
Electric Defrost Heaters (208V)	3.97	5.94			825	1238		
Gas Defrost Heaters (208V)	NA	NA			NA	NA		
<b>Standard Lighting</b>								
2 Rows of Canopy	0.49	0.98			59	118		
<b>Optional Ledge Lighting</b>								
1 Row of Ledge	0.49	0.49			59	59		

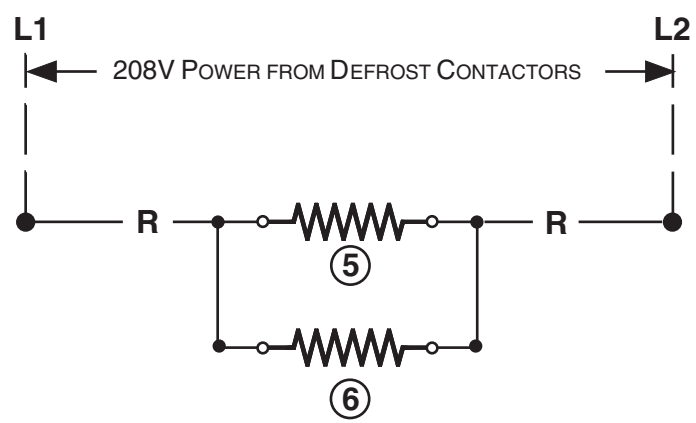
**Evaporator Fan and Anti-Sweat Heaters**



**Ambient Air Wipe Fans**



**Electric Defrost Heaters**

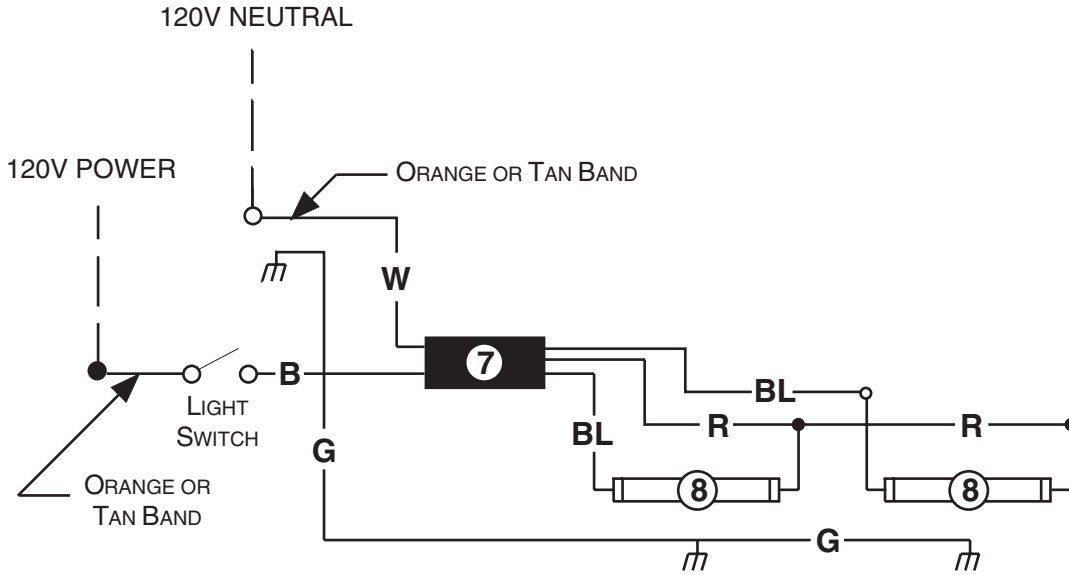


**WARNING**

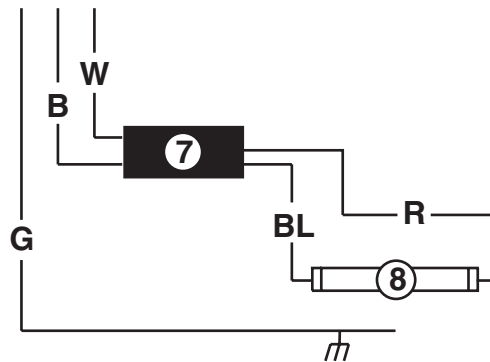
All components must have mechanical ground, and the merchandiser must be grounded.  
Circled Numbers = Parts List Item Numbers

- R = Red    G = Green    BL = Blue    LB = Light Blue    DB = Dark Blue    B = Black    W = White
- = 120V POWER    ○ = 120V NEUTRAL    ≡ = Field GROUND    ≡≡ = Case GROUND

## Standard Lighting



## Optional Lighting Ledge Light



### WARNING

All components must have mechanical ground, and the merchandiser must be grounded.  
Circled Numbers = Parts List Item Numbers

R = Red   G = Green   BL = Blue   LB = Light Blue   DB = Dark Blue   B = Black   W = White

● = 120V POWER   ○ = 120V NEUTRAL   ≡ = Field GROUND   m = Case GROUND