

Item	Part #	Description	Wiring Item #	Item	Part #	Description	Wiring Item #
FAN ASSEMBLIES AND THERMOSTATS				LAMPS AND BALLASTS			
A.	<u>9W Fan Assembly</u>		(1)	E.	0376409	Ballast, Electronic, 2 lamps	(5)
	0047000	Fan Motor, Evaporator					
	0315470	Fan Blade embossing toward motor		F.		Fluorescent Lamp <i>Replace with like fixtures</i>	(6)
B.	<u>0404551</u>	<u>Fan, Ambient</u>	(2)				
C.	0411744	Standard Non-adjustable Defrost Thermostat	(3)				
D.	0137880	Optional Adjustable Refrigeration Thermostat	(4)				

Note: Changed items have been underlined.

Engineering Plan Views

Multi-deck Dairy & Delicatessen End Case

D5EE / D5ELE

General

- Case Length 93 5/8 (2378)
- Maximum O/S dimension of case
 - back to front (includes bumper) . . . 46 1/2 (1181)
- Back of case to
 - front of splashguard 37 3/4 (959)
- Back of case to O/S edge of
 - front base rail 28 1/2 (724)
- Width of base rail 2 1/8 (54)
- Front of splashguard to O/S
 - edge of front base rail 8 1/2 (216)
- Stub-up area between front
 - base rail and splashguard 7 5/8 (194)

Electrical Service

(Electrical Field Wiring connection point)

- LH End of case to
 - center of first knockout 6 3/4 (171)
- Back O/S edge of case
 - to nearest knockout 33 1/2 (851)
- Length of electrical raceway 35 5/8 (903)

Waste Outlet

- Back O/S of case to
 - center of waste outlet 26 3/8 (670)
- LH End of case to center of
 - waste outlet 51 (1295)

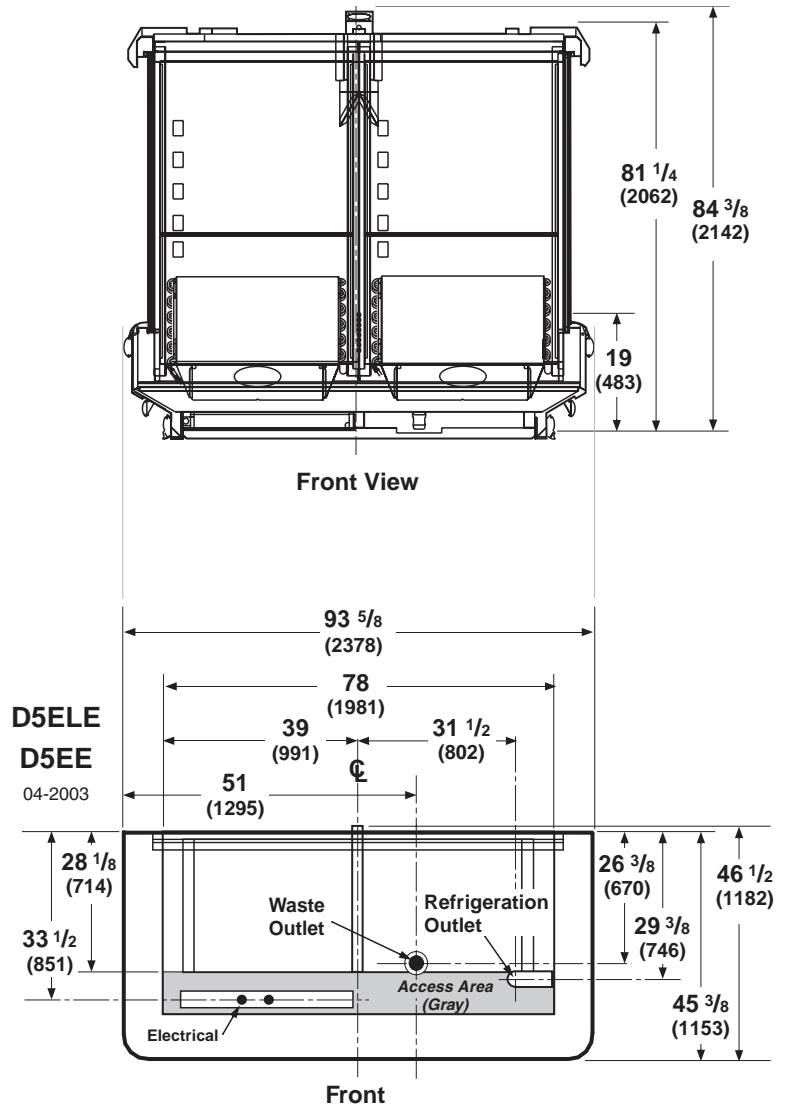
Water Seal

- Edge of water seal to center of
 - waste outlet 11 (279)
- Outside diameter of the drip pipe . 1 1/2 (38)

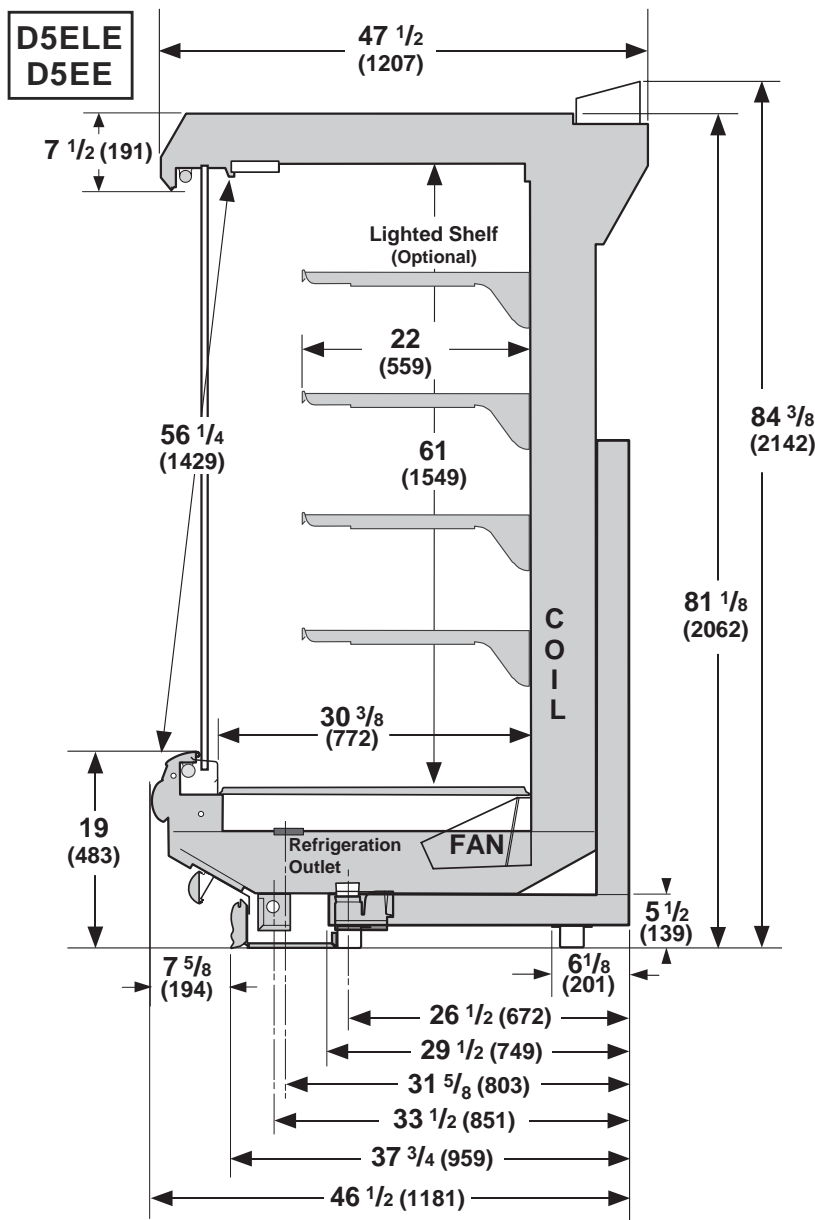
Refrigeration Outlet

- Back of case to center of
 - refrigeration outlet 31 5/8 (803)
- LH end of case to center of
 - refrigeration outlet 70 9/16 (1792)

Dimensions shown as in. and (mm).



Dimensions shown as in. and (mm).



NOTE: The bumpers are 4 in. (102 mm) wide. The center of the top bumper is 14 1/4 in. (368 mm) from the floor and the center of the lower bumper is 6 1/8 in. (155 mm) from the floor.

NSF Certification

These merchandisers are manufactured to meet ANSI /National Sanitation Foundation (NSF®) Standard #7 requirements.

Impact

D5ELE / D5EE

Dairy & Delicatessen

REFRIGERATION DATA

Note: This data is based on store temperature and humidity that does not exceed 75°F and 55% R.H.

	D5ELE	D5EE
Discharge Air (°F)	32	32
Evaporator (°F)	24	24
Unit Sizing (°F)	22	22
Btu/hr/case*	D5ELE	D5EE
Parallel	10,700	10,170
Conventional	11,400	10,830

*For all refrigeration equipment other than Hussmann, use conventional Btu values.

DEFROST DATA

	D5ELE	D5EE
Frequency (hr)	6	6
Defrost Water (lb/ft/day)	<u>10.5</u>	<u>10.5</u>
<i>(± 15% based on case configuration and product loading.)</i>		
OFFTIME	D5ELE	D5EE
Temp Term (°F)	48°	48°
Failsafe (minutes)	35	35

GAS OR ELECTRIC Not Recommended

Standard Defrost Thermostat

Close on rise: close 48°F — open 33°F

CONVENTIONAL CONTROLS

Low Pressure Backup Control

	D5ELE	D5EE
CI/CO (Temp °F)**	17°/7°	17°/7°

Indoor Unit Only, Pressure Defrost Termination (Temp °F)**

Not Recommended

**Use a Temperature Pressure Chart to determine PSIG conversions.

PHYSICAL DATA

Drip Pipe (in.)	1 1/2
Liquid Line (in.)	3/8
Suction Line (in.)	7/8

Estimated Charge (lb)***

D5ELE	2.4
D5EE	2.4

***This is an average for all refrigerant types. Actual refrigerant charge may vary by approximately half a pound.

Length Added to Lineup by:

Each End/Partition (in.)	1 1/2
---------------------------------	-------

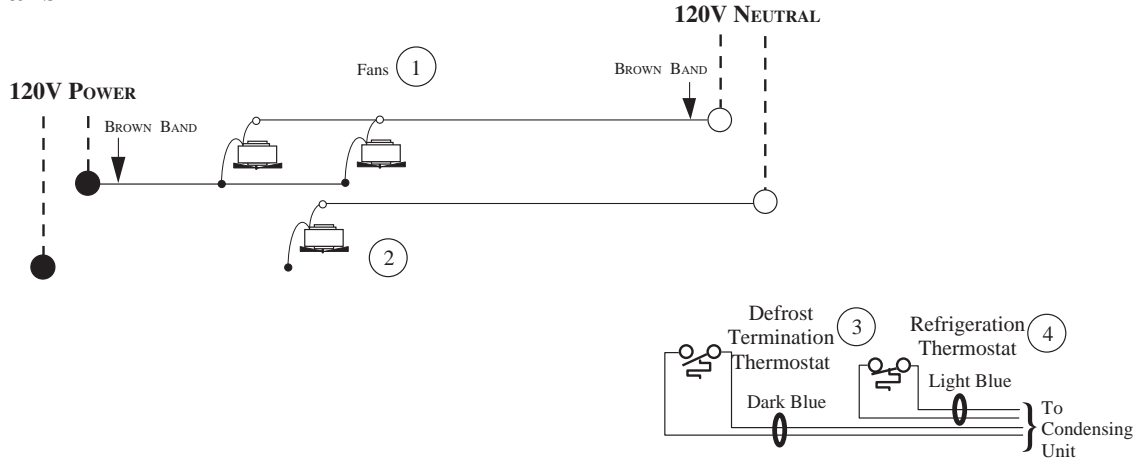
Impact D5ELE / D5EE Dairy & Delicatessen

Electrical Data

	D5ELE	D5EE		
Number of Fans				
Refrigeration – 9W	2	2		
Ambient Air Wipe – 15W	<u>1</u>	<u>1</u>		
Export – 9W	2	2		
	Amperes		Watts	
	D5ELE	D5EE	D5ELE	D5EE
Merchandiser				
Fans (Refrigeration)				
Standard (120V 60Hz)	1.40	1.40	<u>110</u>	<u>110</u>
Energy Efficient (120V 60Hz)	<u>0.76</u>	<u>0.76</u>	<u>50</u>	<u>50</u>
Export (230V 50Hz)	<u>0.76</u>	<u>0.76</u>	<u>114</u>	<u>114</u>
Fans (Ambient Air Wipe)				
Standard (120V 60Hz)	<u>0.25</u>	<u>0.25</u>	<u>22</u>	<u>22</u>
Energy Efficient (120V 60Hz)	<u>NA</u>	<u>NA</u>	<u>NA</u>	<u>NA</u>
Export (230V 50Hz)	<u>0.15</u>	<u>0.15</u>	<u>25</u>	<u>25</u>
Constant On Anti-sweat Heaters	NA	NA	NA	NA
Cycling Anti-sweat Heaters	NA	NA	NA	NA
Minimum Circuit Ampacity				
With Standard Fans (120V 60Hz)	1.60	1.60		
With Energy Efficient Fans (120V 60Hz)	<u>0.96</u>	<u>0.96</u>		
With Export Fans (230V 50Hz)	<u>0.47</u>	<u>0.47</u>		
Maximum Over Circuit Protection				
Standard 120V	20	20		
Export (230V 50Hz)	15	15		
Electric Defrost Heaters (208V 1Φ)	NA	NA	NA	NA
Standard Lighting				
1 Row Canopy	0.51	0.51	59	59
Optional Lighting				
1 Row Canopy and 1 Row Rail	1.02	1.02	118	118
2 Rows Canopy	1.02	1.02	118	118
2 Rows Canopy and 1 Row Rail	1.53	1.53	177	177
Optional Shelf Lighting				
1 Row of Shelves	0.51	0.51	59	59
2 Rows of Shelves	1.02	1.02	118	118
3 Rows of Shelves	1.53	1.53	177	177
4 Rows of Shelves	2.04	2.04	236	236

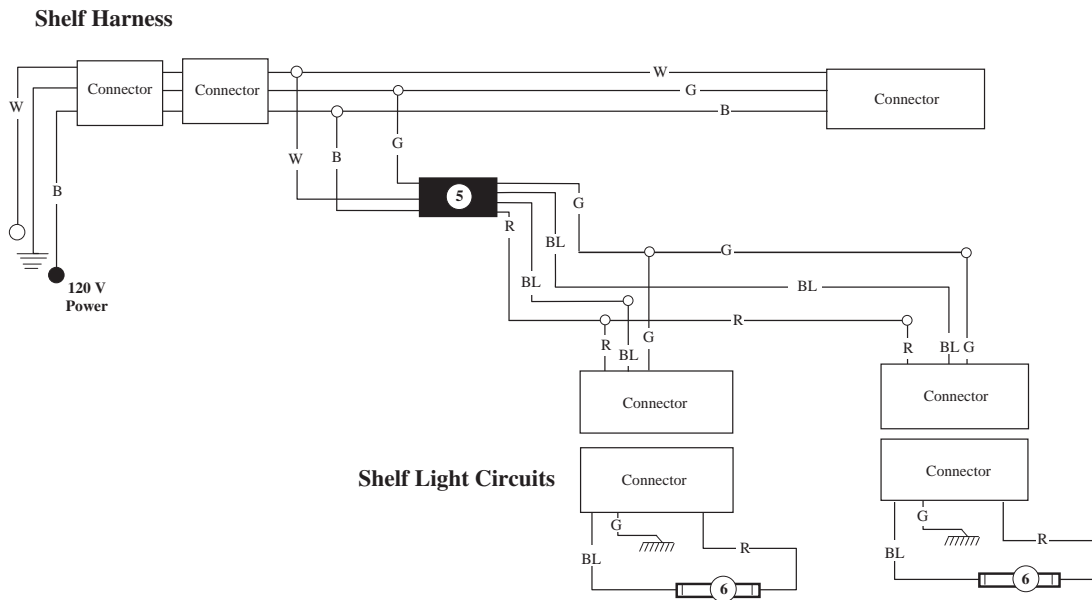
Fan Wiring Offtime Defrost

2 Fans



Optional Shelf Harness and Light Circuits for One Row of Shelves

Shelf Lighting



WARNING

All components must have mechanical ground, and the merchandiser must be grounded.

CIRCLED NUMBERS = PARTS LIST ITEM NUMBERS

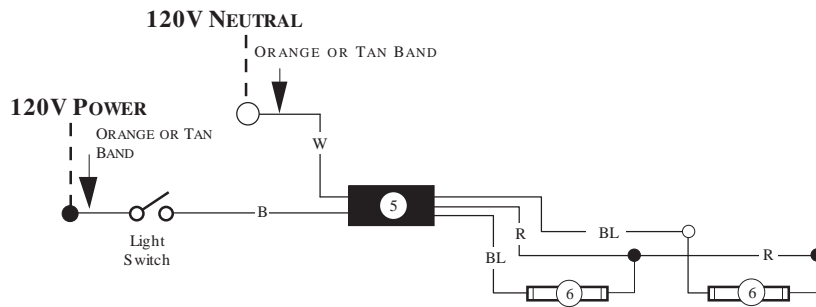
Grayed components in 12 foot models only.

R = Red Y = Yellow G = Green BL = Blue B = Black W = White

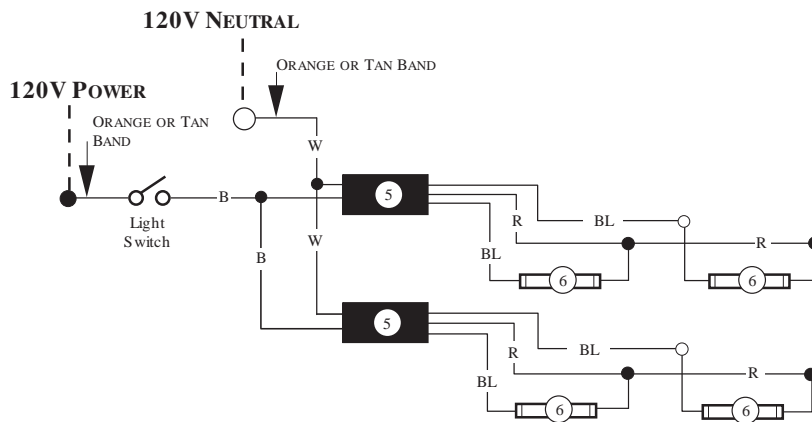
● = 120V POWER ○ = 120V NEUTRAL ≡ = Field GROUND ≡≡ = Case GROUND

Light Circuits

Standard Lighting 1 Row Canopy or Optional 1 Row Rail



Optional Lighting 2 Rows Canopy



WARNING

All components must have mechanical ground, and the merchandiser must be grounded.

CIRCLED NUMBERS = PARTS LIST ITEM NUMBERS

Grayed components in 12 foot models only.

R = Red Y = Yellow G = Green BL = Blue B = Black W = White

● = 120V POWER ○ = 120V NEUTRAL ≡ = Field GROUND ≡≡≡ = Case GROUND