

HUSSMANN®

VRM

SELF-CONTAINED MERCHANDISER



VRM

SELF-CONTAINED MEDIUM TEMP REACH-IN MERCHANDISER



ADVANTAGES

- Environmentally-friendly R-290 natural refrigerant that has a low Global Warming Potential (GWP) of 3
- Self-contained, air-cooled, plug-and-play design great for both new construction or remodels
- Customizable lighted display at top of case
- Controller communication option allows system to be centrally controlled



KEY FEATURES

- Medium temperature application—great for beverages, dairy, and deli
- Self-closing doors with positive seal
- Evaporator and condenser fan motors produces less heat, reducing energy consumption and providing greater reliability
- Bottom mount condensing unit is easy to service and reduces noise output



VRM3B



1.800.592.2060



www.hussmann.com



VRM Self-Contained Medium Temp Reach-In Merchandiser

SPECIFICATIONS

Model	VRM1B, VRM2B, VRM3B
Defrost	off time
Number of Display Levels	5 (4 shelf levels and base)
Power Connection	NEMA 5-15P
Refrigerant	R-290 (propane)
Supply Power	120 VAC / 1-phase / 60 Hz

AVAILABLE OPTIONS

- Exterior and interior color
- Baskets, peg bar, and hooks
- Adjustable leveling legs
- Additional display shelves
- Price tag moulding
- Door locks
- Shelf product stops
- Customizable sign kit
- Door swing direction
- LED color temperature

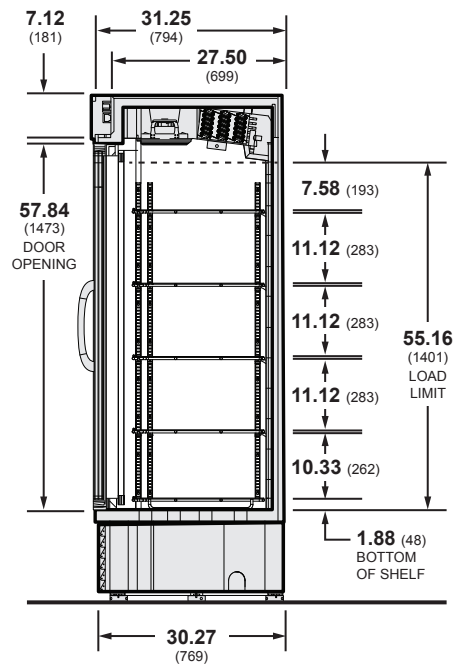
TECHNICAL INFORMATION



Scan or click QR to access additional resources at hussmann.com

Available with 1, 2, or 3 doors.

DIMENSIONS



Model	VRM1B (1-door)	VRM2B (2-door)	VRM3B (3-door)
Length	29 1/2 (751)	53 7/8 (1,369)	78 1/4 (1,988)

NOTE Dimensions are in Inches (millimeters)

NOTE: Use Hussmann's technical data sheets to get dimensions for all store layout purposes.

NOTE: These merchandisers are designed for use in stores when temperature and humidity do not exceed 80° F (26.7° C) and 55% R.H.

We reserve the right to change or revise specifications and product design in connection with any feature of our products. Such changes do not entitle the buyer to corresponding changes, improvements, additions, or replacements for equipment previously sold or shipped. For additional resources, contact your representative or visit www.hussmann.com.

HUSSMANN®

Hussmann Corporation
12999 St. Charles Rock Rd.
Bridgeton, MO 63044-2483
Ph: 1.800.592.2060

www.hussmann.com