

HUSSMANN®

MD4060DA

SELF-CONTAINED MERCHANDISER

EVOLVE®

R-290



MD4060DA

SELF-CONTAINED MULTI-DECK MERCHANDISER



ADVANTAGES

- Environmentally-friendly R-290 natural refrigerant that has a low Global Warming Potential (GWP) of 3
- Unique view ends create dramatically increased visibility
- Product is ideally positioned to allow for easy customer access and stocking
- Self-contained, air-cooled, plug-and-play design is incredibly easy to install, maintain, and move to accommodate planogram updates



KEY FEATURES

- Heavy-duty anti-microbial door handles
- Standard LED lighting
- Adjustable temperature control and timer-controlled automatic defrost
- Easy to clean interior and exterior with clean-out drain and easy to service slide out condensing unit



1.800.592.2060



www.hussmann.com

MD4060DA Self-Contained Multi-Deck Merchandiser

SPECIFICATIONS

| | |
|--------------------------|---------------------------------------|
| Model | MD4060DA |
| Number of Display Levels | four (three comprised of 18" shelves) |
| Power Connection | 5-15P |
| Refrigerant | R-290 (propane) |
| Supply Power | 120 VAC / 1-phase / 60 Hz |
| Weight (approx.) | 434 lb (197 kg) |

AVAILABLE OPTIONS

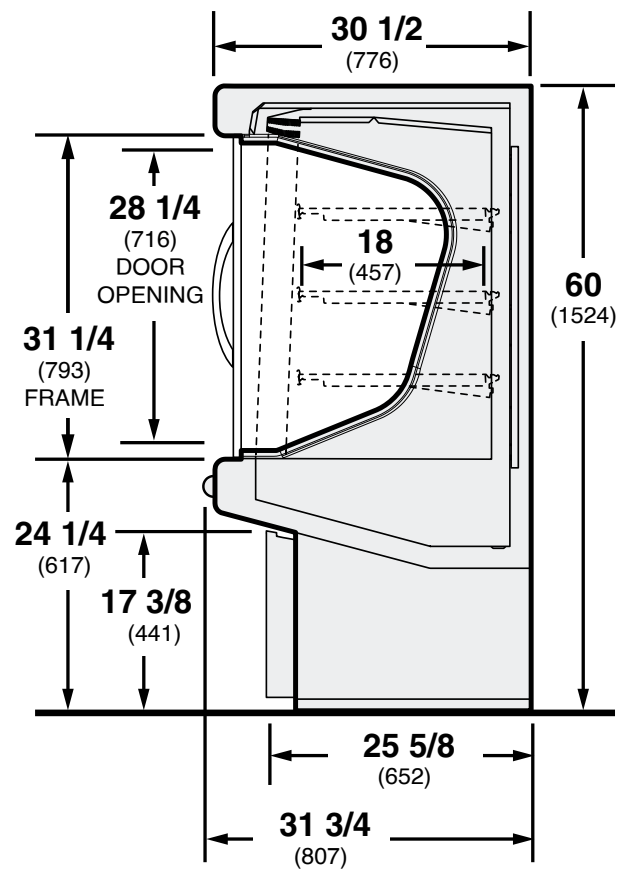
- LED color temperature
- Exterior colors
- Wrap around or side bumper
- Additional shelving options
- Caster kit
- Cross bar and hook display

TECHNICAL INFORMATION



Scan or click QR to access additional resources at hussmann.com

DIMENSIONS



| Model | MD4060DA |
|--------|-------------------|
| Length | 43 1/4 (1,099) |

NOTE Dimensions are in Inches (millimeters)

NOTE: Use Hussmann's technical data sheets to get dimensions for all store layout purposes.

NOTE: These merchandisers are designed for use in stores when temperature and humidity do not exceed 80° F (26.7° C) and 55% R.H.

We reserve the right to change or revise specifications and product design in connection with any feature of our products. Such changes do not entitle the buyer to corresponding changes, improvements, additions, or replacements for equipment previously sold or shipped. For additional resources, contact your representative or visit www.hussmann.com.

©2024 Hussmann Corporation

HUSSMANN®

Hussmann Corporation
12999 St. Charles Rock Rd.
Bridgeton, MO 63044-2483
Ph: 1.800.592.2060

www.hussmann.com

PS_MD4060DA_M001090_B_EN