



## IM-S

Isla Self-Service Self-Contained, In-Line and Back-to-Back Merchandisers



### ADVANTAGES

#### Exceptional Merchandising

Multi-deck self service cases in both inline or stand alone back-to-back configurations.

#### Enhanced Visibility

EcoShine II Plus LED lighting for excellent product illumination draws shoppers in.

#### Drive Impulse Buys

Grow profits and entice your shoppers with impulse buys, related products, seasonal tie-ins.

#### Product Flexibility

Perfect fit for multiple departments including deli, grab-n-go, produce.



### KEY FEATURES

#### Low GWP Refrigerant

Meets all regulatory requirements and complies with the AIM Act.

#### Adjustable Shelving System

Endless merchandising flexibility with vertical shelf height adjustments.



IM-04-I4-SA



IM-04-T4-SA



# IM-S Isla Self-Service Self-Contained, Inline and Back-to-Back Displays

## STANDARD

- R-290 Low GWP refrigerant
- Electronic thermostat controls
- Module coil system – 5 year warranty
- Evaporator pan
- Adjustable temp control
- Black interior
- Painted exterior
- LED canopy lighting †
- Energy efficient fans
- Electronic ballast
- Solar digital thermometer
- Reference Hussmann color chart for choice of standard paint and finish options

## OPTIONS

- Adjustable shelves with tag molding
- Plex product stop
- Peg bar shelving
- White interior
- LED shelf lighting †
- Night shade
- Stainless steel interior
- End panel, flush: solid, view, Autobrite interior
- End panel with wrap-around bumper: solid, view, Autobrite interior
- Finished ext. back cover painted, stainless-steel

## TECHNICAL INFORMATION

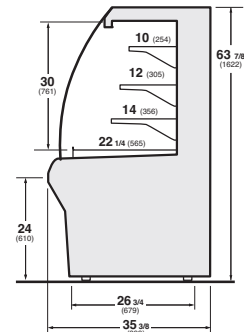


Scan or click QR to access additional resources at [hussmann.com](http://hussmann.com)

## DIMENSIONS

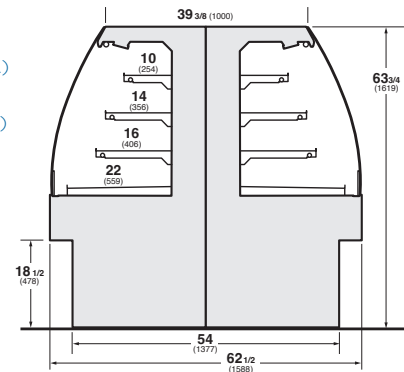
### Inline

- 3' (IM-04-I3-SA) *coming soon*
- 4' (IM-04-I4-SA)
- 5' (IM-04-I5-SA)
- 6' (IM-04-I6-SA) *coming soon*
- 8' (IM-04-I8-SA) *coming soon*



### Back-to-Back

- 4' (IM-04-T4-SA) *coming soon*
- 5' (IM-04-T5-SA) *coming soon*



Note Dimension are in Inches (millimeters)

Model	L	D	H	Nom. HP	Ref.	Hz/Ph	Volts	Circuit Amps	Fuse Amps	NEMA Plug	Refrig. Load	A/C Load
IM-04-I4-SA	50"	35.38"	63.88"	.81	R290	60/1	208	9.4 A	20 A	L14-20P	6470 BTU/h	7452 BTU/h
IM-04-I5-SA	62.13" (1578)	35.38" (899)	63.88" (1623)	.54 (2X)	R290	60/1	208	12.7 A	20 A	L14-20P	4310 (2X) BTU/h	14078 BTU/h



L14-20P

NOTE: These merchandisers are designed for use in stores when temperature and humidity do not exceed 75° F (23.9° C) and 55% R.H.

We reserve the right to change or revise specifications and product design in connection with any feature of our products. Such changes do not entitle the buyer to corresponding changes, improvements, additions, or replacements for equipment previously sold or shipped.

Use Hussmann's technical data sheets to get dimensions for all store layout purposes.

For additional resources, contact your representative or visit [www.hussmann.com](http://www.hussmann.com).



# HUSSMANN®

Hussmann Corporation  
12999 St. Charles Rock Rd.  
Bridgeton, MO 63044-2483  
Ph: 1.800.592.2060

[www.hussmann.com](http://www.hussmann.com)