

**HUSSMANN®**

---

Specialty



*R3 Family*

**R3HV-WD, CR3HV-WD  
R3HV-ND, CR3HV-ND**

3 Zone - High Volume Service Deli Top, Multi-Deck,  
Self-Service Front Merchandiser with Refrigerated or Dry Rear Storage  
in a Wide or Narrow Footprint, Curved or Straight Glass

---

[www.hussmann.com](http://www.hussmann.com)

# Hussmann R3 Family - 3 Zone - High Volume Service Deli Top, Multi-Deck, Self-Service Front Merchandiser with Refrigerated or Dry Rear Storage in a Wide or Narrow Footprint, Curved or Straight Glass

## R3HV-WD, CR3HV-WD R3HV-ND, CR3HV-ND



**Combination Merchandising**  
Allows for self-service and service all in a small footprint.

**Merchandising Capacity**  
This design allows for maximum self-service and service product areas to the footprint.

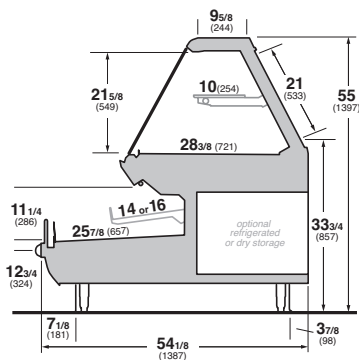
**Merchandising Visibility**  
Non-glare glass and built in air sweep assure service product looks great.

### Merchandising Flexibility

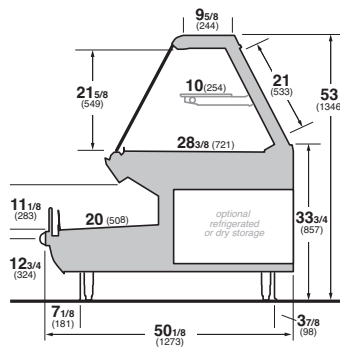
Merchandise the service top with shelves, pedestals or steps to meet your display objectives.  
Merchandise the self-services section with or without a shelf to increase product facings or pack-out.

### Remote Lengths: 4', 6', 8', and 12'

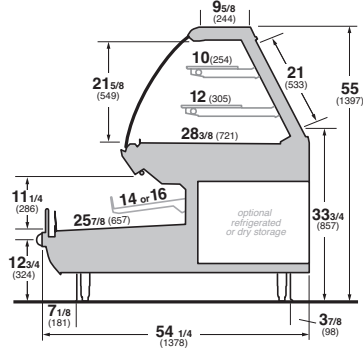
**R3HV-WD Straight Glass**  
High Volume Service Dome, Multi Deck Self Service



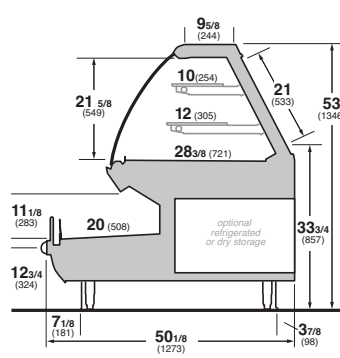
**R3HV-ND Straight Glass**  
High Volume Service Dome, Narrow Single Deck Self Service



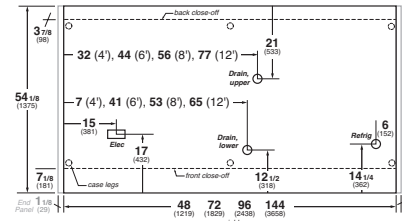
**CR3HV-WD Curved Glass**  
High Volume Service Dome, Wide Multi-Deck Self Service



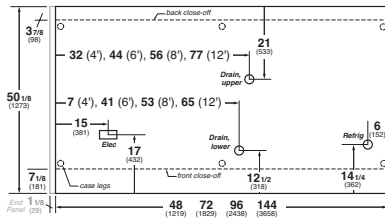
**CR3HV-ND Curved Glass**  
High Volume Service Dome, Narrow Single Deck Self Service



**R3HV-WD / CR3HV-WD**



**R3HV-ND / CR3HV-ND**



### Features.

- Non-glare lift up glass (standard R3HV, optional for CR3HV)
- Heated air sweep (service)
- Adjustable legs
- LED shelf and canopy lights †
- Black interior (self-service)
- Stainless steel interior (service)
- Snap-on, stainless steel lower rear panel
- Thermostat/suction stop solenoid (service)
- EPR – refrigerated self-service
- Digital thermometers in each refrigerated section
- Energy efficient fans
- 15 amp scale outlet
- RJ45 communication outlet
- Dry rear storage
- Please reference color chart for choice of standard Hussmann paint and finish options ([www.hussmann.com](http://www.hussmann.com))

### Options.

- Non-glare curved lift up glass (CR3HV)
- 10" LED lighted stainless steel or glass shelves (R3HV)
- 10" and/or 12" LED lighted stainless steel or glass shelves for service section† (CR3HV)
- Easily movable 14" or 16" shelves; angle adjustable from 0° to 15° with recessed plugs (self-service)
- Refrigerated rear storage with additional coil, thermostat and liquid line solenoid
- Stainless steel interior (self-service)
- Thermoplastic wrapping boards
- Scale shelf extension
- View end panels
- Paper cutter
- PTM
- Additional outlet
- Mirrored rear door
- Stainless steel top in lieu of glass
- Custom lengths and options\* (consult your Hussmann sales representative)

### Additional Information.

- Matching family members: R3 (Straight Glass) or CR3 (Curved Glass)
- Hot Service with Self-Service Front: R3H or CR3H
- Service Bakery with Self-Service Front: R3B or CR3B
- Service Prep Top with Self-Service Front: R3P or CR3P
- Service Meat/Seafood with Self-Service Front: R3-MF or CR3-MF
- High Volume Service Meat/Fish with Self-Service Front: R3HV-MF or CR3HV-MF
- High Volume Wide or Narrow Service Bakery with Self-Service Front: R3HV-WB or R3HV-NB or CR3HV-WB or CR3HV-NB



Hussmann refrigerated merchandisers configured for sale for use in the United States meet or surpass the requirements of the DOE 2017 energy efficiency standards.

\* Some optional features may need to be certified by UL, NSF, and/or other 3rd party certification agencies. Contact Hussmann for verification or questions for availability.

† Only lighting configurations that are compliant with the U.S. Dept. of Energy (DOE) 2017 regulation are available for sale for use in the U.S.A.

NOTE: These merchandisers are designed for use in stores when temperature and humidity do not exceed 75°F and 55% R.H. We reserve the right to change or revise specifications and product design in connection with any feature of our products. Such changes do not entitle the buyer to corresponding changes, improvements, additions, or replacements for equipment previously sold or shipped.

For additional resources, contact your representative or visit [www.hussmann.com](http://www.hussmann.com).



**Note.**  
Use Hussmann's technical data sheets to get precise dimensions for all store layout purposes.

**Intertek Intertek**

**Hussmann Specialty**  
13770 Ramona Avenue  
Chino, California 91710-5423  
Ph: 800.395.9229

[www.hussmann.com](http://www.hussmann.com)

R3HV-ND/WD\_CR3HV-ND/WD\_022817

**HUSSMANN®**