



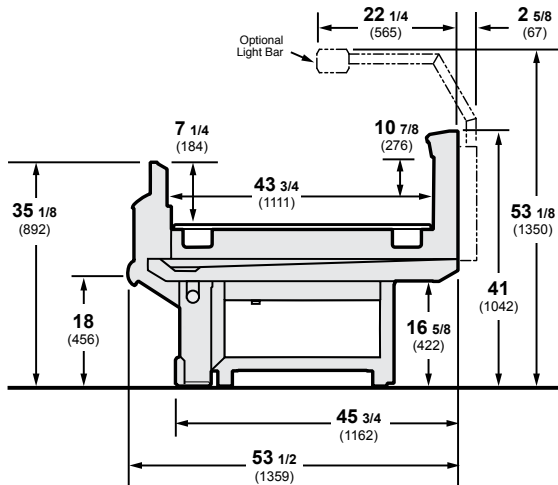
---

# BEXD-8

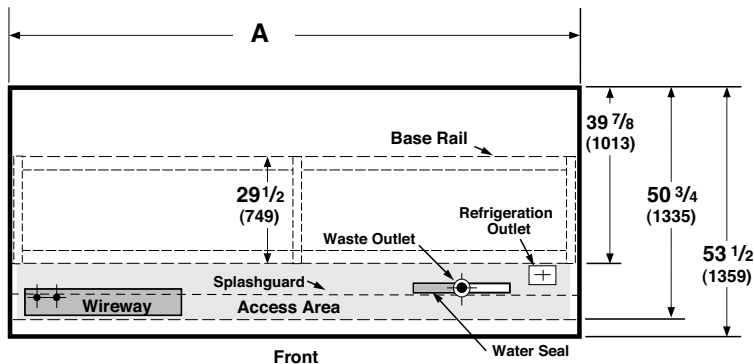
Excel Single-Deck, Extended Depth Case

# Husmann Excel Single-Deck, Extended Depth Case for Medium Temperature Applications

## BEXD-8 - Single Deck, Extended Depth Self-Serve Case Available in 8' length only.



### Plan View



Dimension	8 FT
A	96 1/4 (2445)

Overall case length without ends or partitions.

### Note

Use Husmann's technical data sheets to get precise dimensions for all store layout purposes.

### Extended Depth for Large, Single Deck Display.

The BEXD-8 has an extra deep display deck to accommodate a large amount of product (43 3/4-inch from inside back wall to front stop). This makes it ideal for extra large specialty items, such as cheese trays or large baked goods. The single deck focuses attention on these types of high margin specialty items to help you promote their sale.

### High Performance with Unique Styling.

The BEXD-8 offers all the energy efficiency and refrigeration performance benefits of Husmann... with extended depth for unique applications.

### Design Features.

This case has many standard design features, such as modular coils, bumper, etc. It is 41-inch tall in back and 35-inch tall in front.



Husmann refrigerated merchandisers configured for sale for use in the United States meet or surpass the requirements of the DOE 2017 energy efficiency standards.

NOTE: These merchandisers are designed for use in stores when temperature and humidity do not exceed 75°F and 55% R.H.

NOTE: We reserve the right to change or revise specifications and product design in connection with any feature of our products. Such changes do not entitle the buyer to corresponding changes, improvements, additions, or replacements for equipment previously sold or shipped.

For additional resources, contact your representative or visit [www.husmann.com](http://www.husmann.com).

**HUSMANN®**

Husmann Corporation  
12999 St. Charles Rock Rd.  
Bridgeton, MO 63044-2483  
Ph: 314.291.2000

[www.husmann.com](http://www.husmann.com)