



IM-X-H

Isla Hot Multi-Deck Merchandiser



ADVANTAGES

Accommodates Packaged Prepared Foods Trend

Re-imagine and create foodservice areas - replace hot food bars or enhance sales in service departments with prepackaged meals, meal kits and sides.

Increase Impulse Buys with Flexible Merchandising

Display hot promo items from meat or deli to increase sales. Adjustable and/or removable shelves allow maximum merchandising flexibility.

Superior Food Safety

Proven performance and reliability. Hard coat aluminum surface warmer assures even product temperature.

Reduced Install Costs

Reduced installation costs with factory unitized display.



KEY POINTS

Operation Made Easy

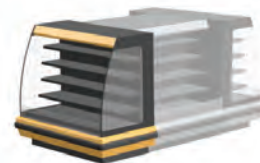
Integrated start-up and use instructions. Set point guidance based on container and product types.

Increased Product Shelf Life

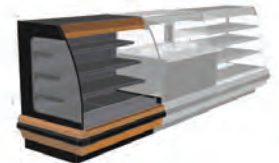
Separate digital thermostat controllers for each shelf to set temperature bases on products/containers.

Shortened Lead Times

Product now built on standard assembly line.



"Isla Advantage"
via E Modules



"In-Line" and "Stand Alone"
via I Module



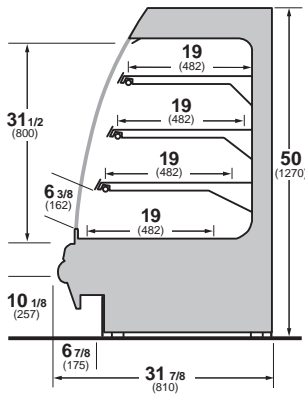
IM-X-H

Isla Hot Multi-Deck Merchandiser



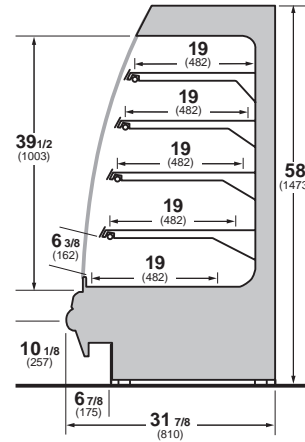
Height: **IM-X-04 -H (50")**
 End: 5'
 In-Line: 4', 6', 8'

IM-X-04-H
Hot Multi-deck



Height: **IM-X-05-H (58")**
 End: 5'
 In-Line: 4', 5'

IM-X-05-H
Hot Multi-deck



TECHNICAL INFORMATION



Scan the QR code with your mobile device to access technical data sheet on hussmann.com

STANDARD

- Black hard coat aluminum surface warmers
- Adjustable shelves with plug-in surface warmers
- Lighted canopy and shelves
- Stainless steel interior
- Impact style 3-inch bumper
- Separate digital thermostat controllers for each shelf
- 208v or 240v
- Please reference color chart for choice of standard Hussmann paint and finish options (hussmann.com)

OPTIONS

- View glass end panels
- Solid end panels with Autobrite interior
- Wrap-around bumper ends
- Stand Alone or In-Line case only

ADDITIONAL INFORMATION

- Matching companion case lines:
 - Self-Service Refrigerated Isla: **IM-X-R**



Customer Operation Made Easy
 Integrated start-up and use instructions.
 Set point guidance based on container and product types.

Increased Product Shelf Life

Separate digital thermostat controllers for each shelf to set the temperature based on products and containers merchandised.

Flexible Merchandising
 Adjustable and/or removable shelves to allow maximum merchandising flexibility.



Improved Product Temperatures
 Hard coat aluminum surface warmer assures even product temperature.
 Drop and plug-in heated surface warmers.



Hussmann refrigerated merchandisers configured for sale for use in the United States meet or surpass the requirements of the DOE 2017 energy efficiency standards.



* Some optional features may need to be certified by UL, NSF, and/or other 3rd party certification agencies. Contact Hussmann for verification or questions for availability.

NOTE: These merchandisers are designed for use in stores when temperature and humidity do not exceed 75°F and 55% R.H.

We reserve the right to change or revise specifications and product design in connection with any feature of our products.

Such changes do not entitle the buyer to corresponding changes, improvements, additions, or replacements for equipment previously sold or shipped.

For additional resources, contact your representative or visit www.hussmann.com.

* Requires field wiring. Length dimensions are without optional bumpers.

** Refrigeration load calculated at 20° F evaporation and 110° F condensing temperature.

HUSSMANN®

Hussmann Corporation
 12999 St. Charles Rock Rd.
 Bridgeton, MO 63044-2483
 Ph: 314.291.2000

www.hussmann.com

MK_0000321_A_PS_IM-X-H_EN