

HUSSMANN®



C2NX-EP, C2NX-LEP

Excel Low Profile, Narrow Footprint
Multi-Deck Convertible Merchandiser
for All Medium Temperature Applications

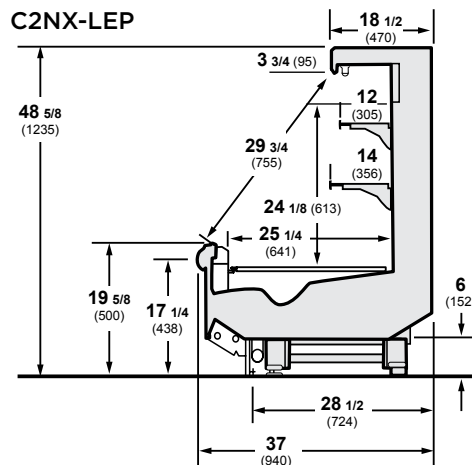
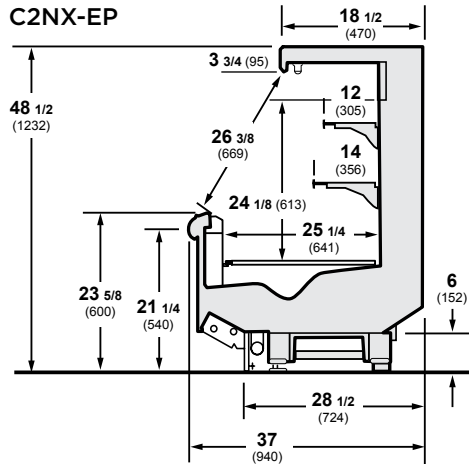
www.hussmann.com

Husmann Excel Low Profile, Narrow Footprint Multi-Deck Convertible Merchandiser for All Medium Temperature Applications

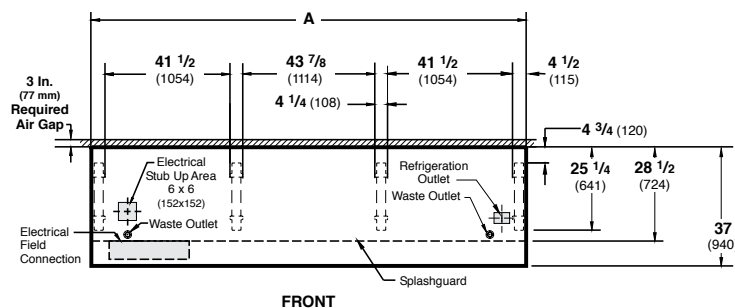
C2NX-EP - Convertible, Low Profile, Narrow Footprint, High Efficiency

C2NX-LEP - Convertible, Low Profile, Narrow Footprint, Low Front, High Efficiency

Available in 8' and 12' lengths. Contact your sales rep for information on possible availability of additional case lengths.



Plan View



Dimensions	8 FT	12 FT
A	96 3/8 (2448)	144 1/2 (3670)

Notes:
Case-to-case electrical connections are made in front of splashguard.
Overall case length without ends or partitions.

Superior Merchandising

The C2NX has a narrow footprint to save floorspace. The LEP model has a lower front height. The C2NX provides quick, easy shopping access and merchandises a wide variety of refrigerated foods. Ideal for grab-n-go meals or other high margin prepared food selections such as sandwiches, prepared salads, pizza, etc.

Superior Shelf Life

Modular coils and off-time defrost work to reduce thermal shock and stabilize product temperatures, resulting in better freshness and longer shelf life. Modular defrost (optional) can further stabilize temperatures.

Lower Labor Costs

Labor-saving features include greater clearance under the case, easy-to-clean bathtub bottom with no coil in the bottom of the case, easier raceway access, 2-ft honeycomb sections and more.

Superior Reliability

Our 5 year modular coil warranty is the best available. Pre-set adjustable expansion valves are designed to hold optimal temperatures.

DOE 2017 Energy Efficiency Compliant Husmann refrigerated merchandisers configured for sale for use in the United States meet or surpass the requirements of the DOE 2017 energy efficiency standards.

NOTE: These merchandisers are designed for use in stores when temperature and humidity do not exceed 75°F and 55% R.H.

NOTE: We reserve the right to change or revise specifications and product design in connection with any feature of our products. Such changes do not entitle the buyer to corresponding changes, improvements, additions, or replacements for equipment previously sold or shipped.

For additional resources, contact your representative or visit www.husmann.com.

Note

Use Husmann's technical data sheets to get precise dimensions for all store layout purposes.

HUSMANN®

Husmann Corporation
12999 St. Charles Rock Rd.
Bridgeton, MO 63044-2483
Ph: 314.291.2000

www.husmann.com