



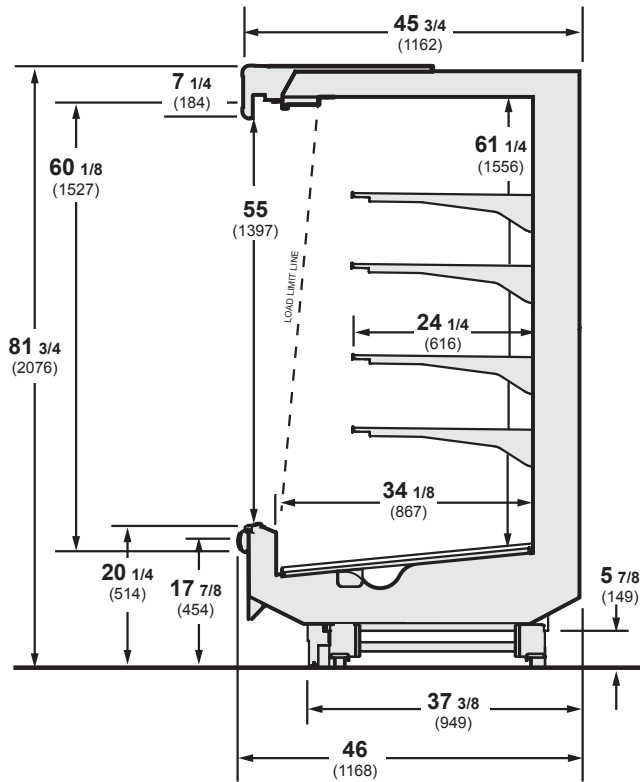
B5XEC-L

Excel High Volume Five-Deck Bulk Merchandiser
with Extended Canopy and Low Front

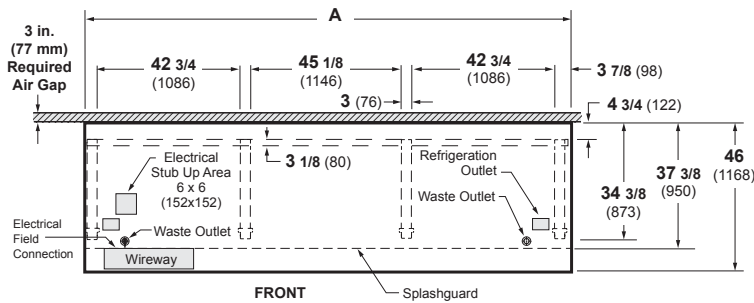
Hussmann Excel High Volume Bulk Convertible Merchandiser with Five Display Levels, Extended Canopy and Low Front

B5XEC-L - Bulk, 5-Deck, Excel, Extended Canopy, Low Front

Available in 8' and 12' lengths. Contact your sales rep for information on possible availability of additional case lengths.



Plan View



Dimensions	8 FT	12 FT
A	96 3/8 (2448)	144 1/2 (3670)

Note: Case-to-case electrical connections are made in front of splashguard.
Overall case length without ends or partitions.

Note

Use Hussmann's technical data sheets to get precise dimensions for all store layout purposes.

Extended Depth for Bulk Applications

The B5XEC-L high volume multi-deck has an extended canopy and low front for high visibility bulk merchandising. It is 4-inch deeper (front to back) than our standard Excel multi-deck fixtures for maximum pack-out of bulk medium temperature items.

Excellent Lighting

EcoShine LED lights provide bright, even illumination of products with lower energy costs.

Longer Shelf Life

Modular coils and off-time defrost work to reduce thermal shock and stabilize product temperatures.

Lower Labor Costs

Labor-saving features include greater clearance under the case, easy-to-clean "bathtub" bottom with no coil in the bottom of the case, good raceway access, 2-ft honeycomb sections and more.

Superior Reliability

Our five-year modular coil warranty is the best available.

DOE 2017 Energy Efficiency Compliant Hussmann refrigerated merchandisers configured for sale for use in the United States meet or surpass the requirements of the DOE 2017 energy efficiency standards.

NOTE: These merchandisers are designed for use in stores when temperature and humidity do not exceed 75°F and 55% R.H.

NOTE: We reserve the right to change or revise specifications and product design in connection with any feature of our products. Such changes do not entitle the buyer to corresponding changes, improvements, additions, or replacements for equipment previously sold or shipped.

For additional resources, contact your representative or visit www.hussmann.com.

HUSSMANN®

Hussmann Corporation
12999 St. Charles Rock Rd.
Bridgeton, MO 63044-2483
Ph: 314.291.2000

www.hussmann.com