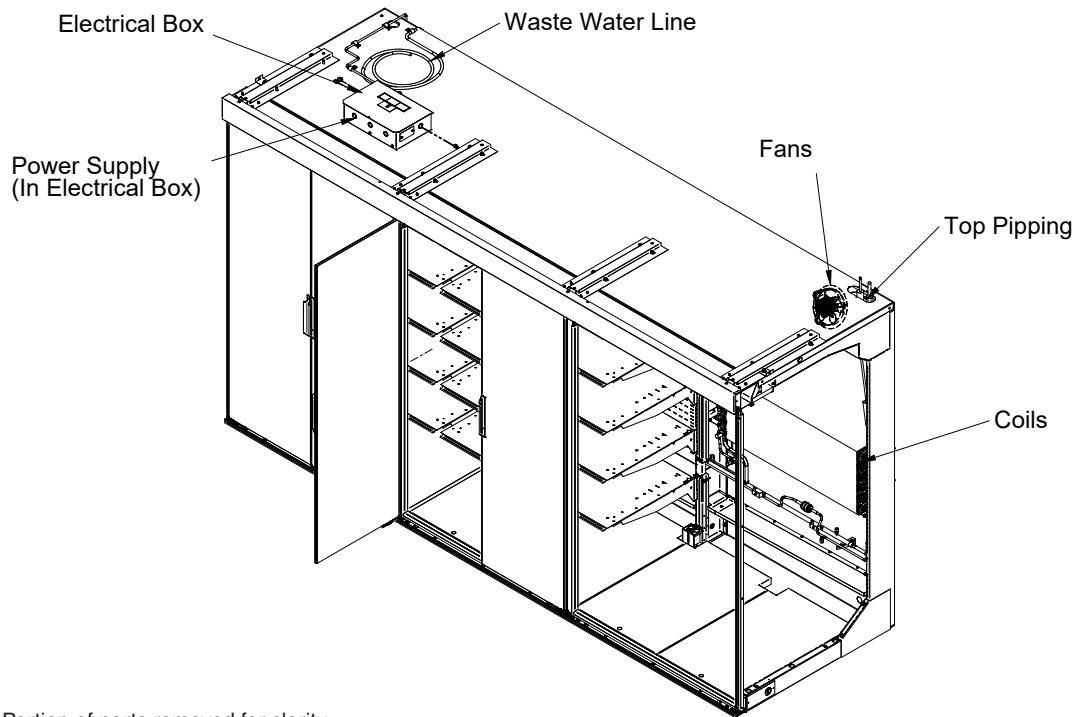


*Standard electrical connections
are at the top of the merchandiser*



DOE 2017
Energy Efficiency
Compliant



Portion of parts removed for clarity.

6 door merchandiser shown above.

NSF/ANSI

This merchandiser model is manufactured to meet NSF/ANSI Standard #7 requirements for construction, materials, and cleanability.

Performance Data	Page 2	Estimated Shipping Weights	Page 5
Product Data (AHRI Statistics)	Page 2	Wiring Diagrams	Page 6
Cross Section	Page 3	QR Code for Parts and Product Information	Page 8
Plan View	Page 4	Revision History	Page 8
Electrical Loads	Page 5		

Data sheet-EGP6

We reserve the right to change or revise specifications and product design in connection with any feature of our products. Such changes do not entitle the buyer to corresponding changes, improvements, additions or replacements for equipment previously sold or shipped.

EGP6

Refrigerated Grocery

Refrigeration Data

EGP6		Optimal Shelf Life		Energy Comparison
Application		NSF Type 1 Ambient ²	NSF Type 2 Ambient ³	AHRI 1200 Rating Point ⁴
Lit or Unlit Canopy	Discharge Air °F (°C)	32 (0)	32 (0)	35 (1.7)
	Average Evaporator °F (°C) ¹	27 (-2.8)	26 (-3.3)	30 (-1.1)
	Parallel Btu/hr/case (Watts/case)	5042 (1478)	5940 (1741)	5001 (1465)
	Conventional Btu/hr/case (Watts/case)	5556 (1628)	6480 (1899)	5460 (1600)
Fans	Quantity (7" Diameter)	6	6	6
	Speed (RPM)	1800	1800	1800

Notes:

1. Average evaporator temperature shown. Adjust to dew point for high glide refrigerants for unit sizing. Care should be taken to use the dew point in PT tables for measuring and adjusting superheat.
2. All data based on store temperature and humidity that does not exceed NSF Type 1 ambient conditions of 75°F and 55% relative humidity, except where noted.
3. Data for operation in NSF Type 2 ambient of 80°F and 55% relative humidity.
4. AHRI 1200 Rating Point for energy consumption comparison only.

Defrost Data

Frequency (hours between defrost) 12

OFFTIME

Time (minutes) 60

ELECTRIC OR GAS Not Available

Defrost Water ⁵ 1 lb/ft/day
(1.5 kg/m)

⁵ (± 15% based on case configuration and product loading).

Conventional Controls

Low Pressure Backup Control CI/CO ⁶

26°F/16°F
-3.3°C/-8.9°C

Indoor Unit Only, Pressure Defrost Termination ⁶

48°F (8.9°C)

⁶ Use a Temperature Pressure Chart to determine PSIG conversions.

Estimated Charge ⁷

EGP6 3.1 lb 48.6 oz 1.4 kg

⁷ This is an average for all refrigerant types. Actual refrigerant charge may vary by approximately one half pound.

Product Data

Gross Refrigerated Volume ⁸ (Cu Ft)
AHRI Total Display Area ⁹ (Sq Ft)

EGP6
183.8 ft³ (5.2 m³)
72.7 ft² (6.75 m²)

⁸ AHRI Gross Refrigerated Volume: Refrigerated Volume/Unit of Length, ft³/ft [m³/m]

⁹ Computed using AHRI 1200 standard methodology: Total Display Area, ft² [m²]/Unit of Length, ft [m]

DOE 2017
 Energy Efficiency
 Compliant

Hussmann refrigerated merchandisers configured for sale for use in the United States meet or surpass the requirements of the DOE 2017 energy efficiency standards.

Dimensions shown as in. and (mm).

3-in. between back to back cases.

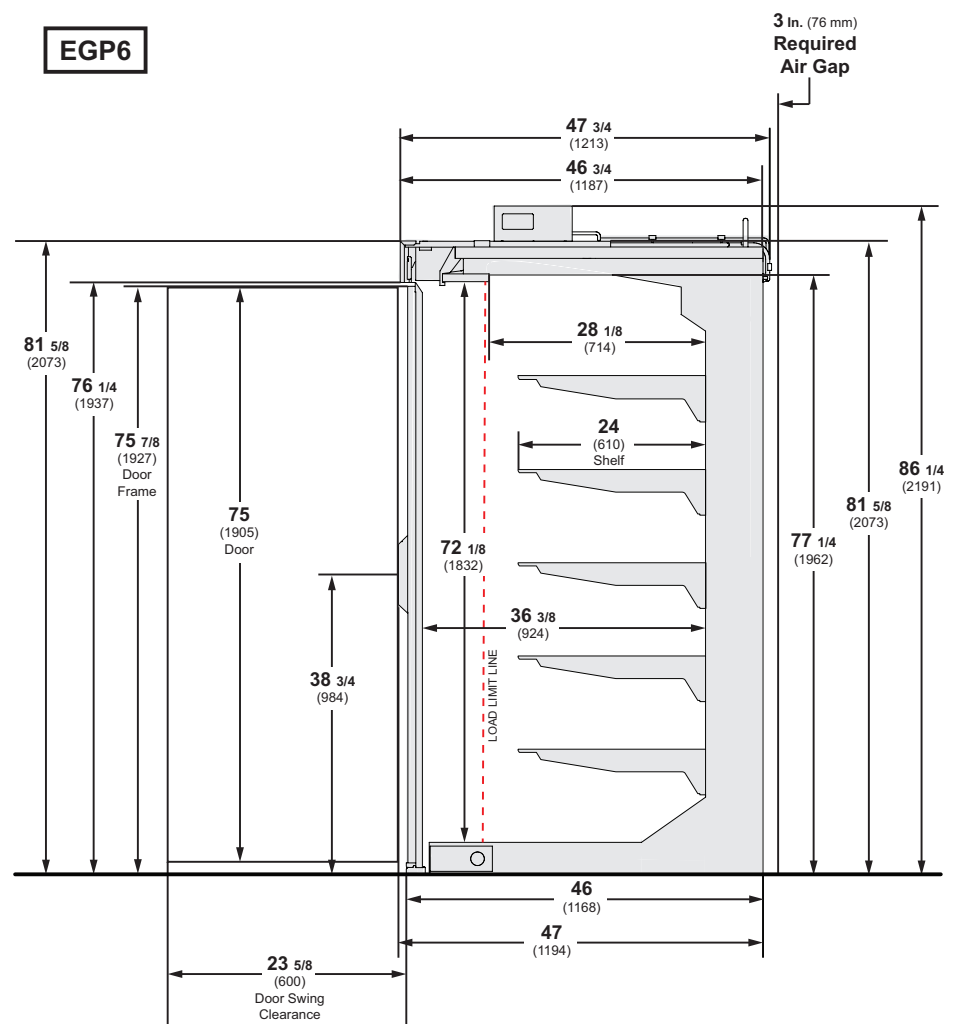
EGP6

DOOR DETAILS

Allow 23 5/8-in for door swing.

Door height is 75-in.

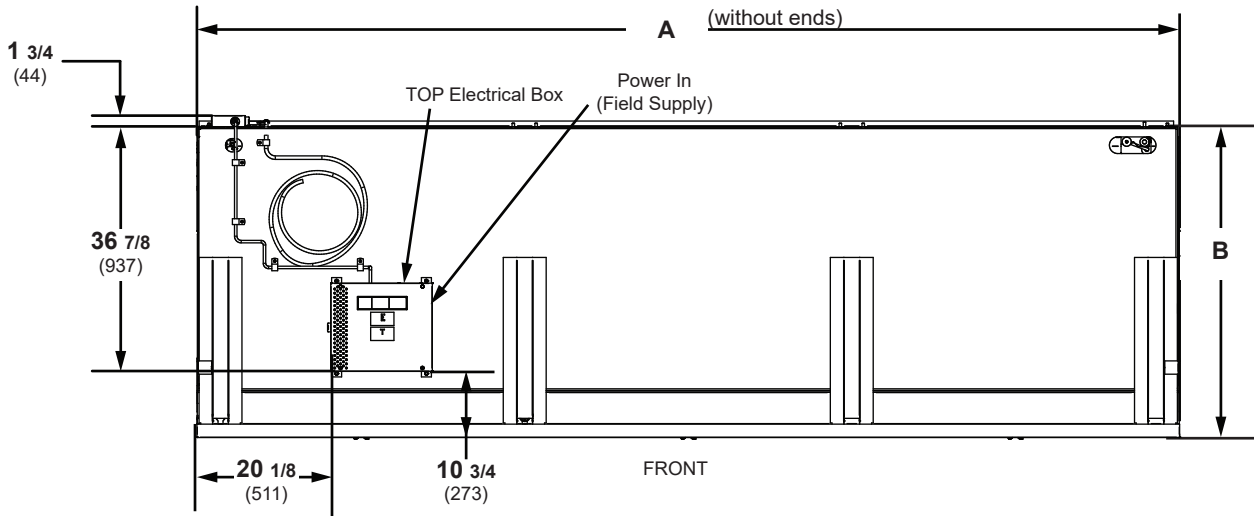
Door clearance from the back of the case to the open front edge of the door is 69 5/8-in.



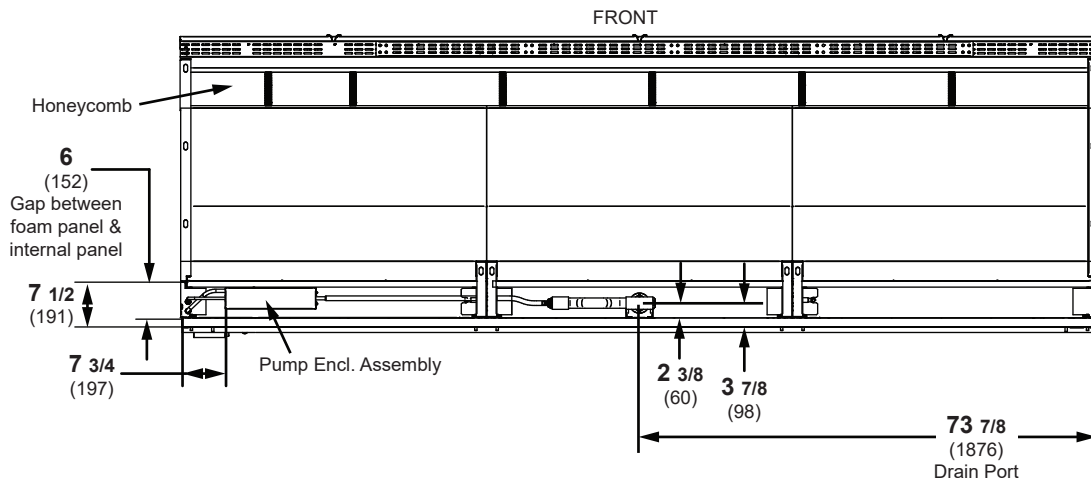
(6 Door Model shown below)

Dimensions shown as in. and (mm).

TOP VIEW



BOTTOM VIEW



General	6 Door
	(A) Case Length (without ends or partitions) (Each end and insulated partition adds 1 1/2 in. (38 mm) to case line up.)
(B) Maximum O/S dimension of case back to front	46 3/4 (1187)

Electrical Data

Number of Fans

7-in.

6 Door

6

Evaporator Fan

120V 60Hz Energy Efficient

Amperes

Watts

0.96

75

Condensate Pump

120V 60Hz Energy Efficient

0.07

Merchandiser Circuit Requirements (120V, 1 Ph, 60 Hz)

MCA (Minimum Circuit Ampacity)

3.06

MOPD (Maximum Over Current Protection)

20

ENDS or PARTITIONS

Each standard end and each insulated partition adds 1 1/2 in. (38 mm) to case line up. Optional view end with end bumper adds 3 3/4 in. (95 mm).

PHYSICAL DATA

Merchandiser Drip Pipe (in.) 1 1/4
Schedule 40 PVC

ESTIMATED SHIPPING WEIGHT †

Case

lb (kg)

6 Door

900 (409)

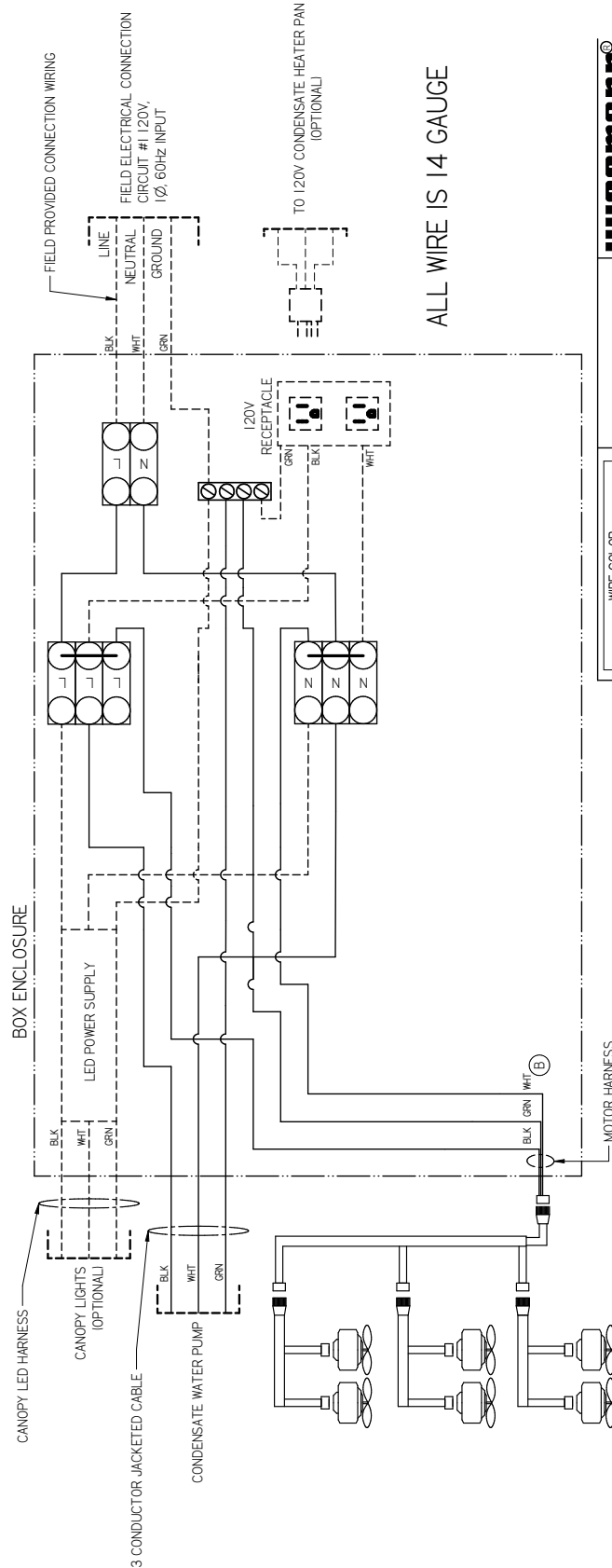
End (Each)

100 (45)

† Actual weights will vary according to optional kits included. Estimated weight does NOT include shelving.

EGP6
Refrigerated Grocery

Fan Wiring
Offtime Defrost
Wiring Diagram

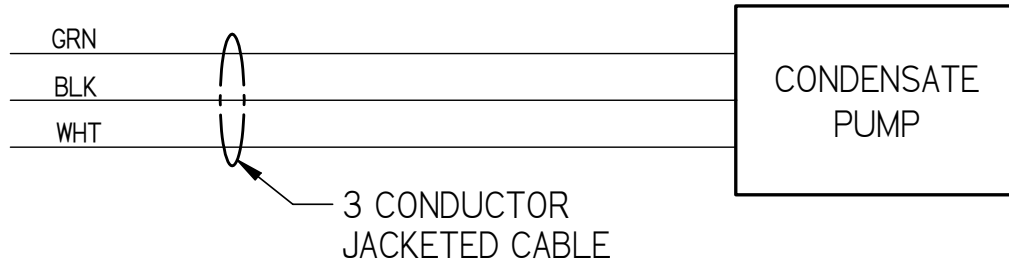


REF 3.2 WIRE DIAGRAM SIZE D-H

HUSSMANN®	
FACTORY 14GA WIRE	DIAGRAM-WIRING EGP
FACTORY 10GA WIRE	REMOTE
FIELD WIRE	
DO NOT SCALE DRAWING	PIN 3179161
SHEET 1 OF 1	REV B

**Condensate Pump
Wiring Diagram**

EGP6
Refrigerated Grocery



EGP6

Refrigerated Grocery



Scan the QR code with your mobile device to access additional product information or order parts.

Parts may also be ordered at:

parts.husmann.com

Call toll free: 1.855.487.7778

Revision History

Revision A: June 2023: Original Issue

Revision B: February 2024: Updated recommended shelf depth and electrical data. Revised pump amps & wiring diagram.