

Portion of parts removed for clarity.

GSVM4060A, 3-foot merchandiser shown above.

GSVM4060A and GSVM4072A are intended for NSF Type II ambient applications (80°F / 55% RH).

GSVM5272A is intended for NSF Type 1 ambient applications (75°F / 55% RH).

Certifications



UL EPH Certification

This merchandiser model is manufactured to meet ANSI/SCC Standards requirements for construction, materials, and cleanability.

⚠ WARNING

Component parts shall be replaced with like components, and servicing shall be done by factory authorized service personnel only, so as to minimize the risk of possible ignition due to incorrect parts or improper service.

We reserve the right to change or revise specifications and product design in connection with any feature of our products. Such changes do not entitle the buyer to corresponding changes, improvements, additions or replacements for equipment previously sold or shipped.

Technical Data Sheet

GSVM-A

Self-Contained Air-Cooled
R-290 Merchandiser

Applications

Deli, Beverage, Produce

P/N 3104941 Rev C

October 2024

Models Covered:

GSVM4060A, GSVM4072A,
GSVM5272A

Table of Contents

Performance Data	2
Cross-Section View	3
Plan View	4
Electrical Specifications	5
Shipping Weight	5
Wiring Diagram(s)	6

GSVM-A

Deli / Beverage / Produce

Refrigeration Data ^{1**}

		Deli/ Beverage/ Produce		
		GSVM4060A	GSVM4072A	GSVM5272A
Lit Shelves	Discharge Air °F (°C)	25 to 28 (-3.8 to -2)	27 to 30 (-2.7 to -1.1)	31 to 34 (-0.5 TO 1.1)
	Average Evaporator °F (°C)	15 to 18 (-9.4 to -7.7)	17 to 20 (-8.3 to -6)	21 to 24 (-6 to -4)
	Total Heat of Rejection ²	6361		
Condensing Unit	Capacity ³	4281		
	Nominal HP	1/2		
Evaporator Fan Speed	6.75" Fan Assembly	1550		

Notes:

1. All data based on store temperature and humidity that does not exceed NSF Type 1 ambient conditions of 75°F and 55% relative humidity except where noted.
2. Total Heat of Rejection listed for maximum design conditions, normal operating loads may be lower.
3. Condensing Unit Capacity is calculated at an evaporator temperature of 14°F and a condensing temperature of 95°F.

Defrost Data

Frequency (hours between defrost)	8
Defrost Type	Offtime
Defrost Termination (Temperature °F)	48
Time (minutes)	50
ELECTRIC OR GAS	Not Available

Sound Data

GSVM5272A	68 dB
-----------	-------

Energy Consumption Data

	DEC (kWH/day)
GSVM4060A	15.59
GSVM4072A	19.01
GSVM5272A	20.77

⁴ Energy values obtained under AHRI 1200.

Refrigerant Data

Refrigerant Type R-290

Charge ⁴ .33 lb 5.3 oz 150 g

⁴ Maximum charge per condensing unit = 150 g.

Product Data ⁵

	GSVM4060A	GSVM4072A	GSVM5272A
Total Display Area (ft ²)	11.3	16.6	20.1
Total Display Area (ft ² /ft)	3.69	5.42	4.94
Shelf Area (in ²)	1719	2175	2892
Shelf Area (ft ²)	11.9	15.1	20.1
Shelf Area (ft ² /ft)	3.9	4.9	4.9
AHRI Gross Refrigerated Volume (cu ft ³ /ft)	3.3	5.3	5.3
AHRI Gross Refrigerated Volume (cu m/m)	0.31	0.49	0.49
Total Display Area (sq m/m)	1.12	1.65	1.50
Shelf Area (m ² /m)	1.19	1.50	1.50

⁵ Computed using AHRI 1200 standard methodology

Self-Contained Horizontal Merchandiser,
Air-cooled, Self-Contained R-290

GSVM-A
Deli / Beverage / Produce

DOE 2017
Energy Efficiency
Compliant

Husmann refrigerated merchandisers configured for sale for use in the United States meet or surpass the requirements of the DOE 2017 energy efficiency standards.

Shelf complement shown as tested, distributed equally between bottom display plan and interior top panel.

GSVM4060-A: 2 rows of 13 and 15 in. shelves

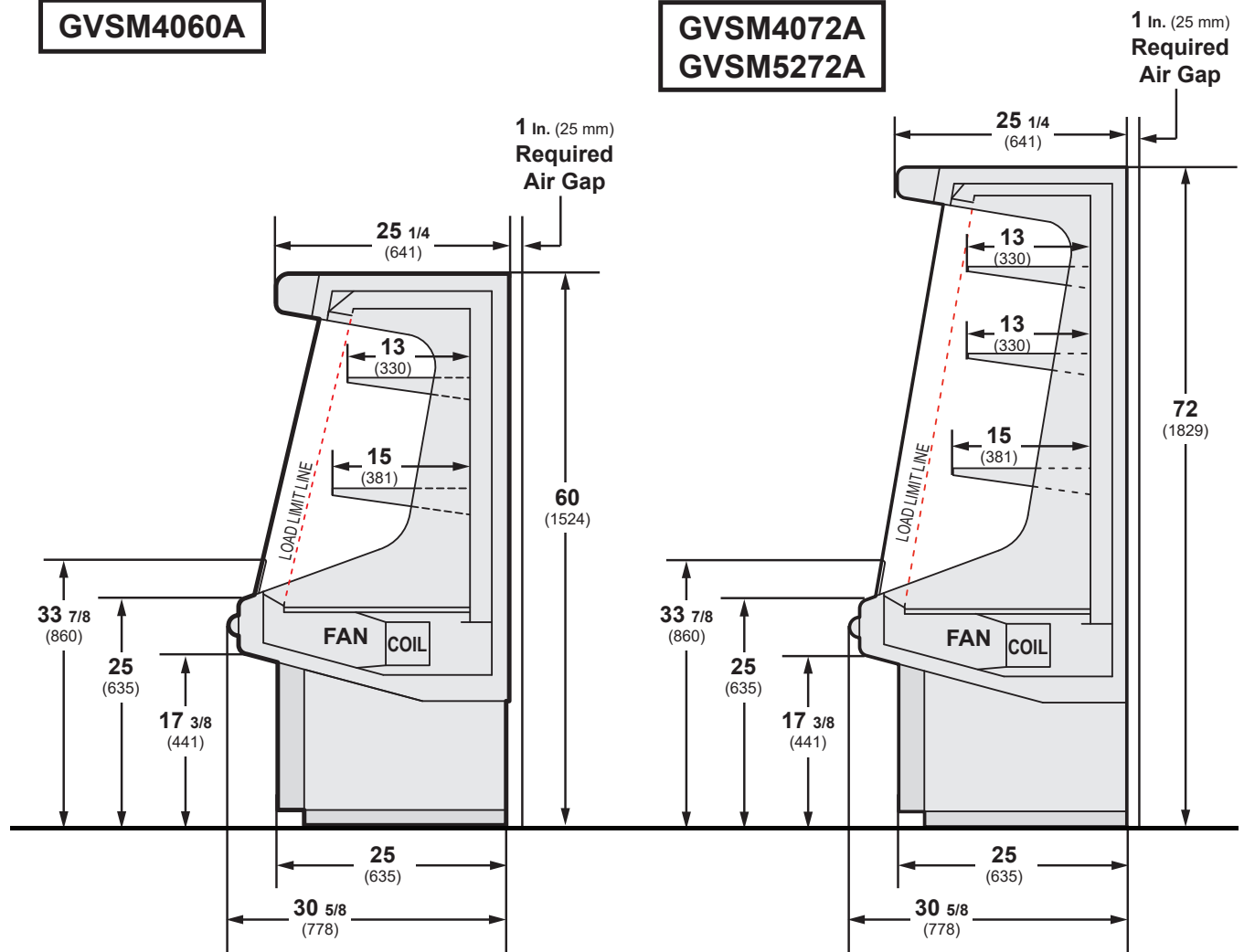
GSVM4072/5272-A: 3 rows of 13, 13 and 15 in. shelves

Dimensions shown as in. and (mm).

1 inch Required Air Gap, 2 sides and rear
24 inch front

GVSM4060A

GVSM4072A
GVSM5272A

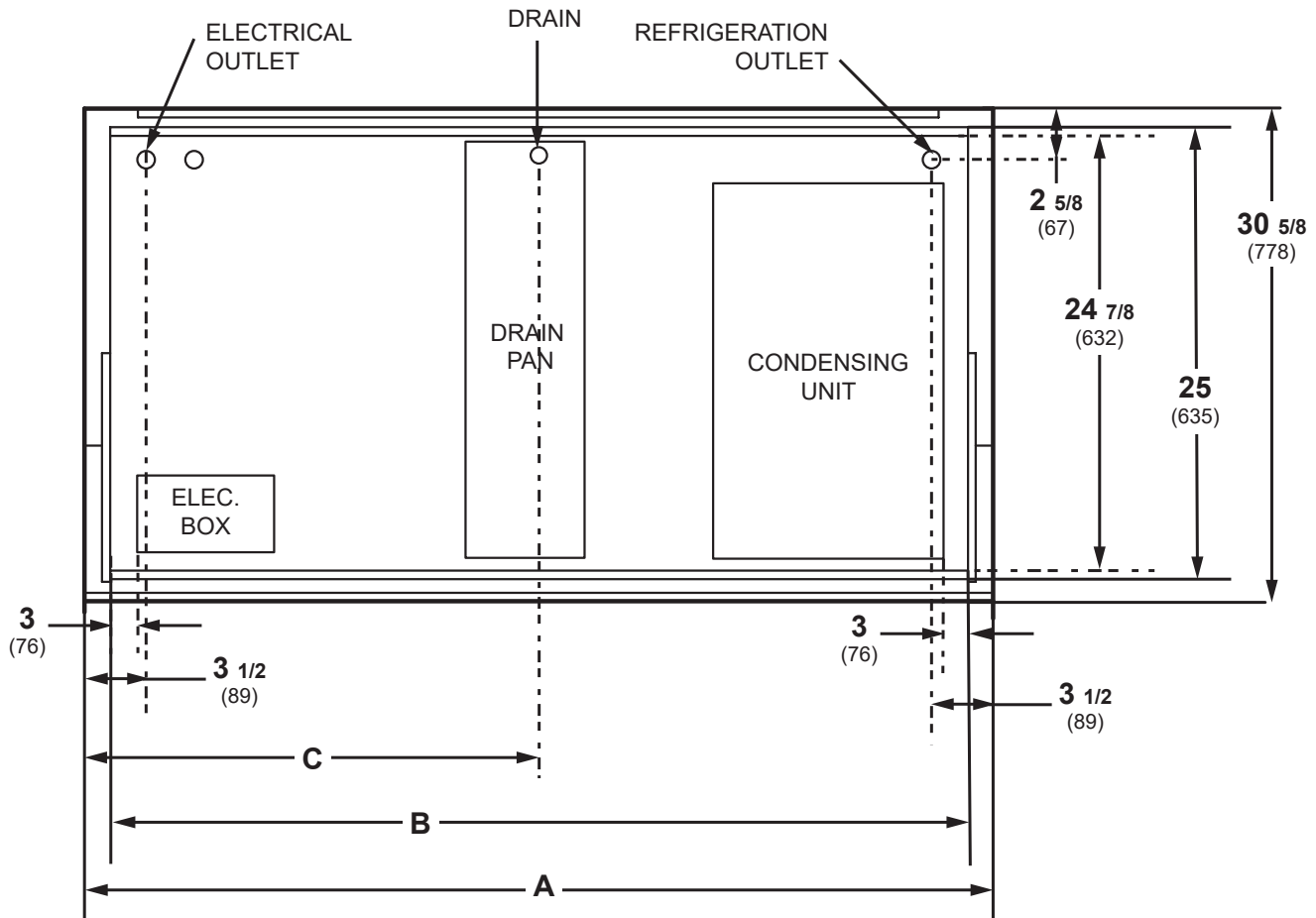


GSVM-A
Deli / Beverage / Produce

**Engineering
Plan View**

Dimensions shown as in. and (mm).

Usable power cord length is 78 in. (1981 mm).



Front

General	GSVM4060A	GSVM4072A	GSVM5272A
(A) Case Length (includes one pair ends)	40 (1016)	40 (1016)	52 (1321)
Optional end bumpers (one pair)	2 (51)	2 (51)	2 (51)
Maximum O/S dimension of case back to front	30 ⁵ / ₈ (778)	30 ⁵ / ₈ (778)	30 ⁵ / ₈ (778)
(B) Interior case length	37 (940)	36 ⁷ / ₈ (937)	48 ⁷ / ₈ (1241)
(C) LH End of case to the center of waste outlet	20 (508)	20 (508)	26 (660)

Electrical Data

NOTE: These values below are rated values for individual components and should not be added together to determine total merchandiser electrical load.

Number of Evaporator Fans	GSVM-A
6.75-in.	2

Evaporator Fans	Amperes	Watts
115V 60Hz Energy Efficient	0.2	20

* Amperes/watts are at max values

	GSVM-A
Merchandiser Requirements	
Power Supply 115V / 1ph / 60Hz	
Compressor RLA	7
Compressor LRA	40
Case Run Amps	9
Condensate Drain Pan Heater Amps	2.9
Minimum Circuit Amps (MCA)	12.6
Maximum Over Current Protection (MOCP)	20

NEMA Plug
5-15P



ESTIMATED SHIPPING WEIGHT †

Case	<i>GSVM4060A</i>	<i>GSVM4072A</i>	<i>GSVM5272A</i>	Solid End (each)
lb (kg)	365 (166)	407 (185)	468 (212)	Included

† Actual weights will vary according to optional kits included.

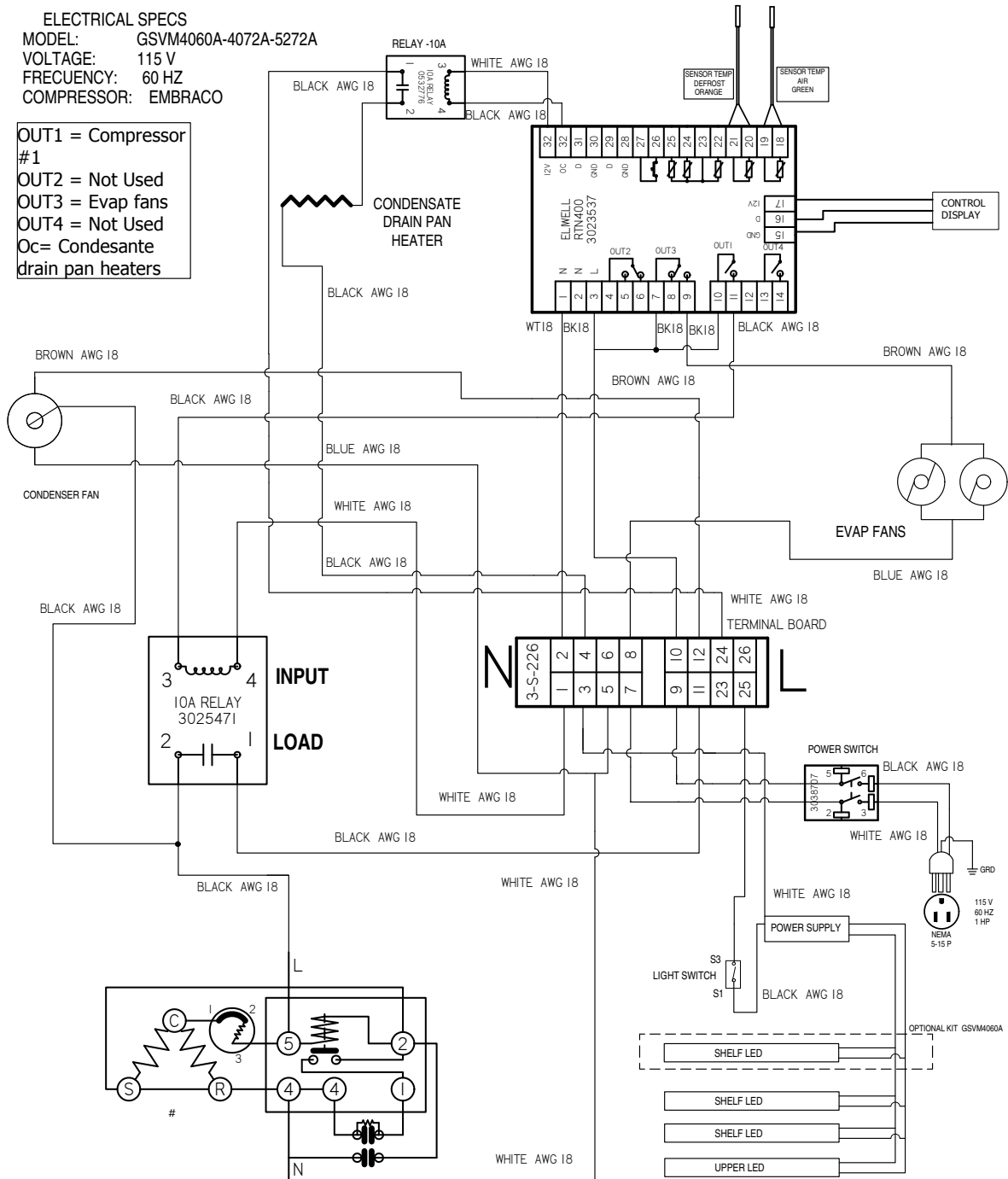
GSVM-A

Deli / Beverage / Produce

Wiring Diagram

ELECTRICAL SPECS
 MODEL: GSVM4060A-4072A-5272A
 VOLTAGE: 115 V
 FREQUENCY: 60 HZ
 COMPRESSOR: EMBRACO

OUT1 = Compressor #1
 OUT2 = Not Used
 OUT3 = Evap fans
 OUT4 = Not Used
 Oc= Condensate drain pan heaters



UL COLOR CODES / ABBREVIATIONS

- RED = RD
- BLACK = BK
- BLUE = BL
- YELLOW = YL
- GRAY = GY
- WHITE = WT
- GREEN = GN
- BROWN = BN
- ORANGE = OR
- VIOLET = VT

3099061_C



Scan the QR code with your mobile device to access additional product information or order parts.

Parts may also be ordered at:

parts.husmann.com

Call toll free: 1.855.487.7778

Revision History

Revision A: March 2020: Original Issue.

Revision B: March 2021: Updated cross section.

Revision C: October 2024: Updated front cover page