

8-foot merchandiser shown. Portion of parts removed for clarity.

Technical Data Sheet

FNGSC-A

Dual Temperature Air-Cooled
R-290 Merchandiser

Applications

Beverage, Deli, Frozen Food,
Meat, Produce

P/N 3141957 Rev G

September 2024

Models Covered:

FNGSC4A, FNGSC6A, FNGSC8A

Table of Contents

Performance Data	2
Cross-Section View	3
Plan View	4
Shipping Weight	5
Electrical Specifications	5
Wiring Diagram(s)	6

Certifications



UL EPH Certification

This merchandiser model is manufactured to meet ANSI/SCC Standards requirements for construction, materials, and cleanability.

This case is intended for NSF Type I ambient applications (75° F / 55% RH).

⚠ WARNING

Component parts shall be replaced with like components, and servicing shall be done by factory authorized service personnel only, so as to minimize the risk of possible ignition due to incorrect parts or improper service.

We reserve the right to change or revise specifications and product design in connection with any feature of our products. Such changes do not entitle the buyer to corresponding changes, improvements, additions or replacements for equipment previously sold or shipped.

FNGSC-A

Deli / Beverage / Frozen Food / Produce / Meat

Refrigeration Data ^{1**}

		Deli / Beverage / Frozen Food / Produce / Meat					
		4 Foot		6 Foot		8 Foot	
		Low Temp - FF	Medium Temp - NSF Type 1	Low Temp - FF	Medium Temp - NSF Type 1	Low Temp - FF	Medium Temp - NSF Type 1
Refrigeration	Discharge Air °F (°C)	-19 to -9 (-28 to -22)	20 to 38 (-6 to 3)	-19 to -9 (-28 to -22)	16 to 40 (-8 to 4)	-19 to -9 (-28 to -22)	20 to 38 (-6 to 3)
	Average Evaporator °F (°C)	-23 to 19 (-31 to -7)	-1.5 to 6 (-18 to -14)	-23 to 19 (-31 to -7)	-1.5 to 6 (-18 to -14)	-23 to 19 (-31 to -7)	-1.5 to 6 (-18 to -14)
	Total Heat of Rejection ²	3343		5064		6686	
Condensing Unit	System Cooling Capacity ³	2018		2366		4036	
Evaporator Fan Speed	8" Fan Assembly	900		1100		900	
Compressors	Compressor Quantity	1		2		2	

Notes:

- All data based on store temperature and humidity that does not exceed NSF Type 1 ambient conditions of 75°F and 55% relative humidity except where noted.
- Total Heat of Rejection listed for maximum design conditions, normal operating loads may be lower.
- System Cooling Capacity is calculated at an evaporator temperature of -31°F and a condensing temperature of 113°F.

Defrost Data

Frequency (hours between defrost)	8
Defrost Type	Hot Gas
Defrost Termination (Temperature °F)	
Low Temperature	38
Medium Temperature	45
Time (minutes)	50

Sound Data

4 Foot	6 Foot	8 Foot
63.1 dB	63.9 dB	67.3 dB

Energy Consumption Data^{4, 5} DEC (kWh/day)

4 Foot	6 Foot	8 Foot
17.22	30.81	30.66

⁴ Energy values obtained under AHRI 1200 evaluating case performance with frozen food conditions of IAT 0°F.

⁵ 4 and 8 foot cases utilize variable speed compressors (6 foot cases utilize fixed speed compressors).

Refrigerant Data Refrigerant Type: R-290

Charge⁶

4 Foot	.26 lb	4.2 oz	120 g
6 Foot	.40 lb	6.3 oz	180 g
8 Foot	.57 lb	9.2 oz	260 g

⁶ 8 foot has 2 circuits (each circuit has 130 g.). 6 foot has 2 circuits (each circuit is 90 g.). 4 foot has 1 circuit.

Product Data⁷

	4 Foot	6 Foot	8 Foot
Total Display Area (ft ²)	11.1	16.65	22.2
Total Display Area (ft ² /ft)	2.78		
Shelf Area (in ²)	1598.4	2397.6	3196.8
Shelf Area (ft ²)	11.10	16.65	22.20
Shelf Area (ft ² /ft)	2.8		
AHRI Gross Refrigerated Volume (cu ft ³)	8.3	12.5	16.6
AHRI Gross Refrigerated Volume (cu ft/ft)	2.1		
AHRI Gross Refrigerated Volume (cu m/m)	0.19		
Total Display Area (sq m/m)	2.07		
Shelf Area (m ² /m)	0.85		

⁷ Computed using AHRI 1200 standard methodology.

Self-Contained Horizontal Merchandiser,
Air-Cooled, Self-Contained R-290

FNGSC-A
Deli / Beverage /
Frozen Food /
Produce / Meat

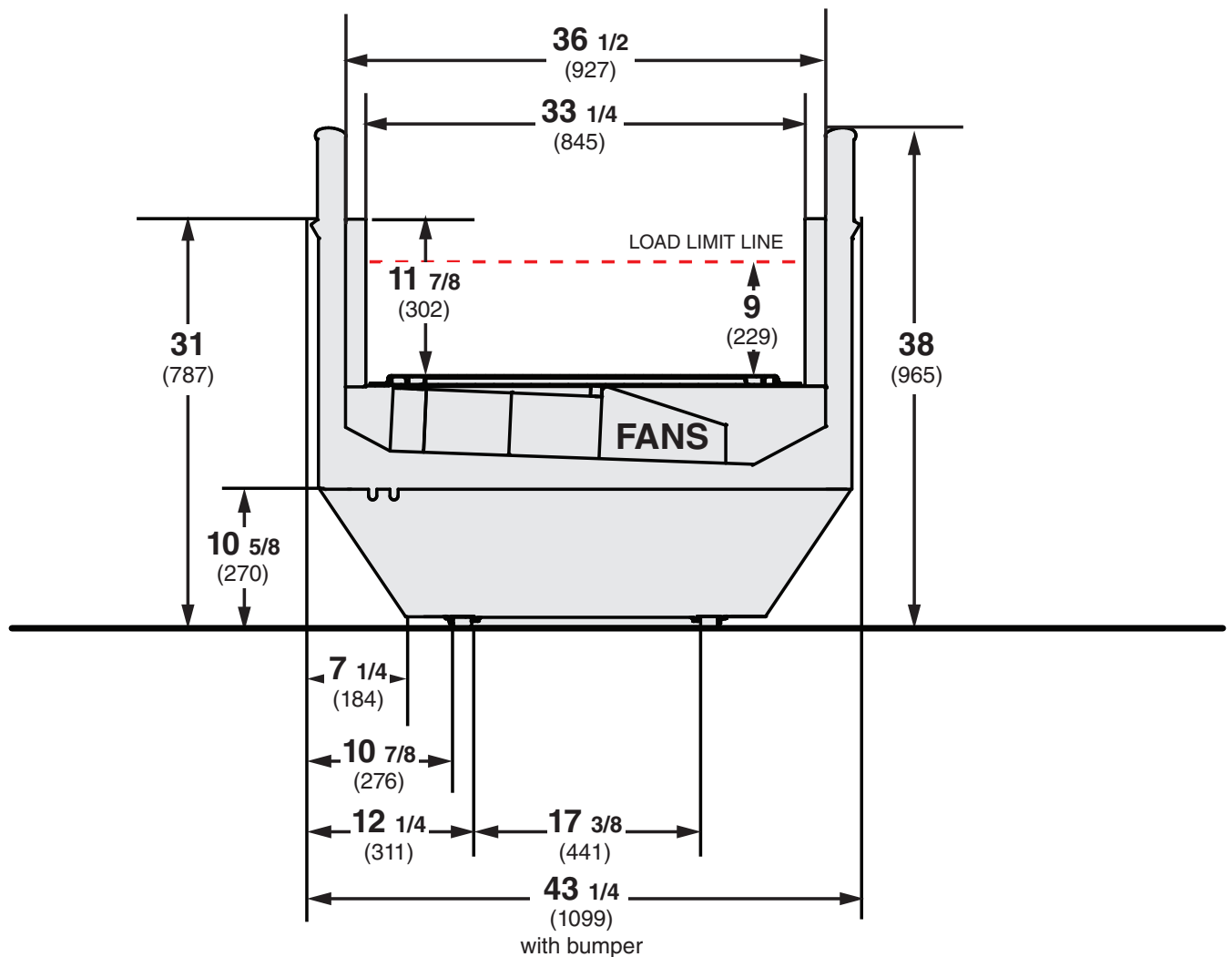
DOE 2017
Energy Efficiency
Compliant

Husmann refrigerated merchandisers configured for sale for use in the United States meet or surpass the requirements of the DOE 2017 energy efficiency standards.

A clearance of 10-in is needed around the case to ensure no obstruction in the condensing unit air flow.

Dimensions shown as in. and (mm).

FNGSC-A



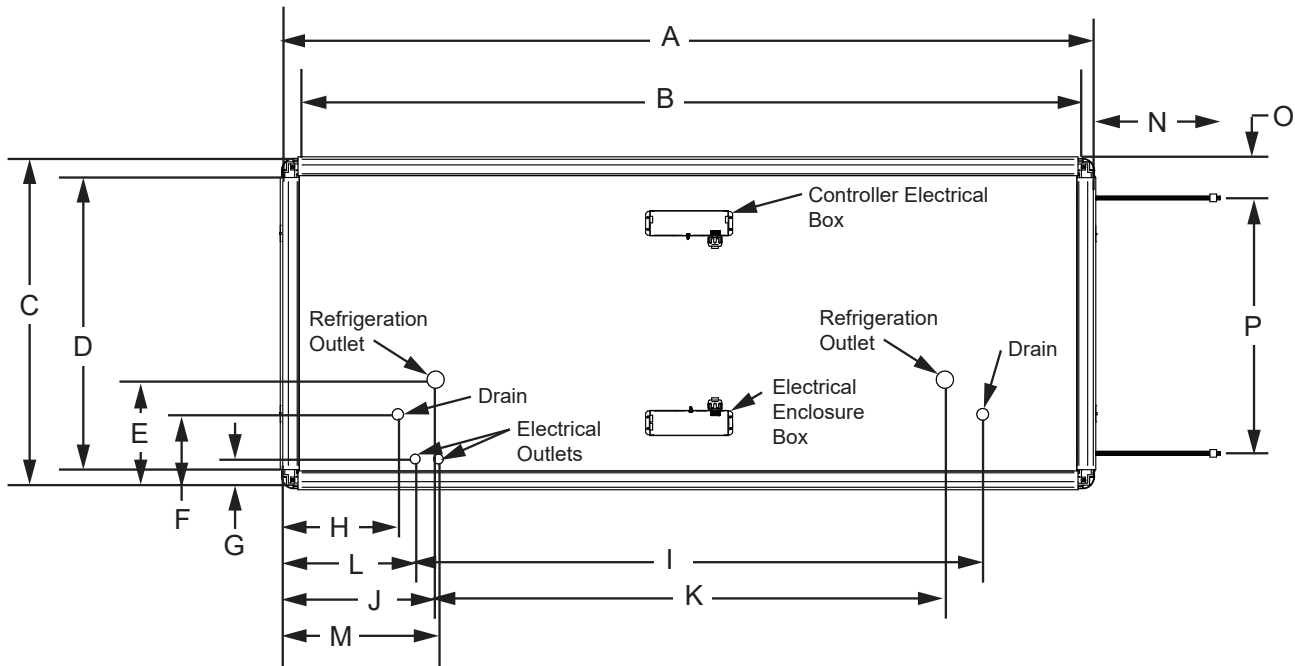
FNGSC-A

Deli / Beverage /
Frozen Food /
Produce / Meat

	Controller Box	Enclosure Box
4 ft	Right	Right
6 ft	Center	Left
8 ft	Center	Center

Engineering Plan View

Dimensions shown as in. and (mm).



Front

	4 ft	6 ft	8 ft
General Dimensions			
(A) Case Length (includes bumper)	52 ⁷ / ₈ (1343)	78 ⁷ / ₈ (2003)	102 ⁷ / ₈ (2613)
(B) Case Length (without bumper)	48 ¹ / ₈ (1222)	73 ¹ / ₂ (1867)	96 ¹ / ₈ (2442)
(C) Maximum O/S dimension of case back to front (includes bumper)	43 ¹ / ₂ (1105)	43 ¹ / ₂ (1105)	43 ¹ / ₄ (1099)
(D) Maximum O/S dimension of case back to front (without bumper)	33 ¹ / ₄ (845)	33 ¹ / ₄ (845)	33 ¹ / ₄ (845)
(E) Center of refrigeration outlet to front of case	12 ¹ / ₄ (311)	11 ¹ / ₄ (286)	13 ⁵ / ₈ (346)
(F) Center of drain to front of case	9 ³ / ₈ (238)	9 ³ / ₈ (238)	9 ³ / ₈ (238)
(G) Center of electrical outlets to front of case	4 ¹ / ₄ (108)	5 ¹ / ₂ (140)	4 ¹ / ₈ (105)
(H) Left of case to center of drain	14 ¹ / ₄ (362)	14 ¹ / ₈ (359)	14 ¹ / ₈ (359)
(I) Center of left drain to center right drain	24 ¹ / ₈ (616)	49 ⁵ / ₈ (1260)	72 ¹ / ₄ (1835)
(J) Left of case to center of refrigeration outlet	11 ⁵ / ₈ (295)	56 ¹ / ₂ (1435)	18 ³ / ₈ (473)
(K) Center of left refrigeration outlet to center right refrigeration outlet	N/A	12 (305)	62 ⁷ / ₈ (1597)
(L) Left of case to center of first electrical outlet	17 ³ / ₄ (451)	17 ¹ / ₂ (445)	15 ⁷ / ₈ (403)
(M) Left of case to center of second electrical outlet	20 ⁵ / ₈ (524)	20 ³ / ₈ (518)	18 ³ / ₄ (476)
(N) Right end of case to end of extension cord	76 (1930)	73 (1854)	74 ¹ / ₂ (1892)
(O) Back of case to extension cord	3 ⁷ / ₈ (98)	3 ⁷ / ₈ (98)	3 ⁷ / ₈ (98)
(P) Back extension cord to front extension cord	N/A	N/A	32 ³ / ₈ (822)

Electrical Data

FNGSC-A
 Deli / Beverage /
 Frozen Food /
 Produce / Meat

NOTE: These values below are rated values for individual components and should not be added together to determine total merchandiser electrical load.

	4 Ft	6 Ft	8 Ft
Merchandiser Requirements			
Power Supply 115V / 1ph / 60Hz			
Total Load (Amps) (Load per each power supply cord)	10.5	16	10.5
Power cord Quantity	1	1	2

¹ Connect this plug to a single outlet circuit.

NEMA Plug

5-20P



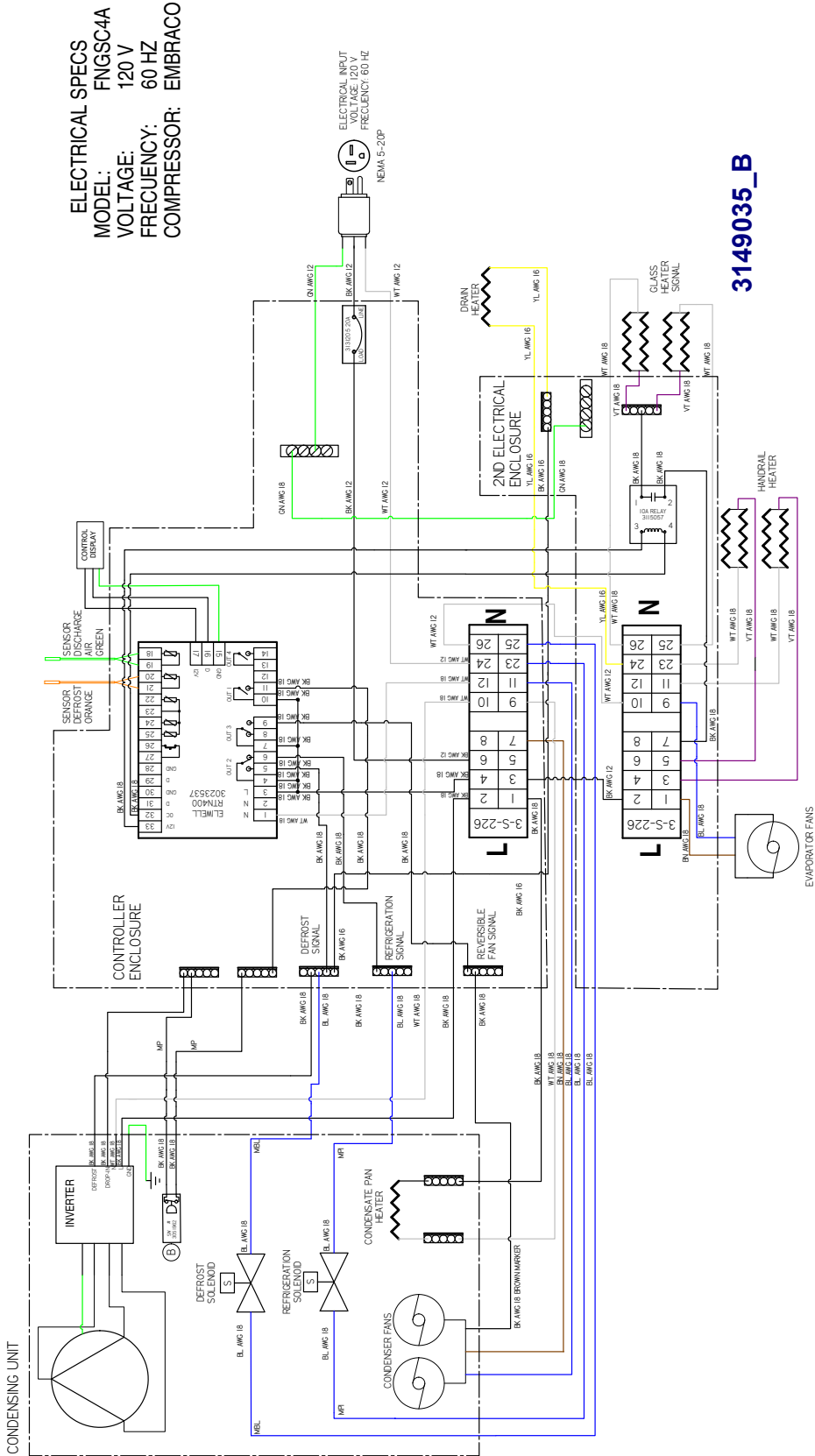
ESTIMATED SHIPPING WEIGHT †				
Case	4 Foot	6 Foot	8 Foot	Solid End
lb (kg)				(each)
	582 (263.8)	746 (338.4)	918 (415.4)	Included
† Actual weights will vary according to optional kits included.				

FNGSC-A

Deli / Beverage /
Frozen Food /
Produce / Meat

Wiring Diagram 4 Foot

ELECTRICAL SPECS
MODEL: FNGSC4A
VOLTAGE: 120 V
FREQUENCY: 60 HZ
COMPRESSOR: EMBRACO



3149035_B

FACTORY 14GA WIRE
FACTORY 10GA WIRE
FIELD WIRE

UL COLOR CODES / ABBREVIATIONS
RED = RD
BLACK = BK
BLUE = BL
GREEN = GRN
YELLOW = YL
GRAY = GR
WHITE = WT
CROWN = CN
BROWN = BN
ORANGE = OR
VIOLET = VT

WIRE MARKER COLORS/ABBREVIATIONS
BLACK = MBR
BLUE = MBL
BROWN = MBR
DARK BLUE = MDB
LIGHT BLUE = MLB
MAROON = MMR
ORANGE = MO
PINK = MPI
PURPLE = MP
RED = MR
YELLOW = MYL

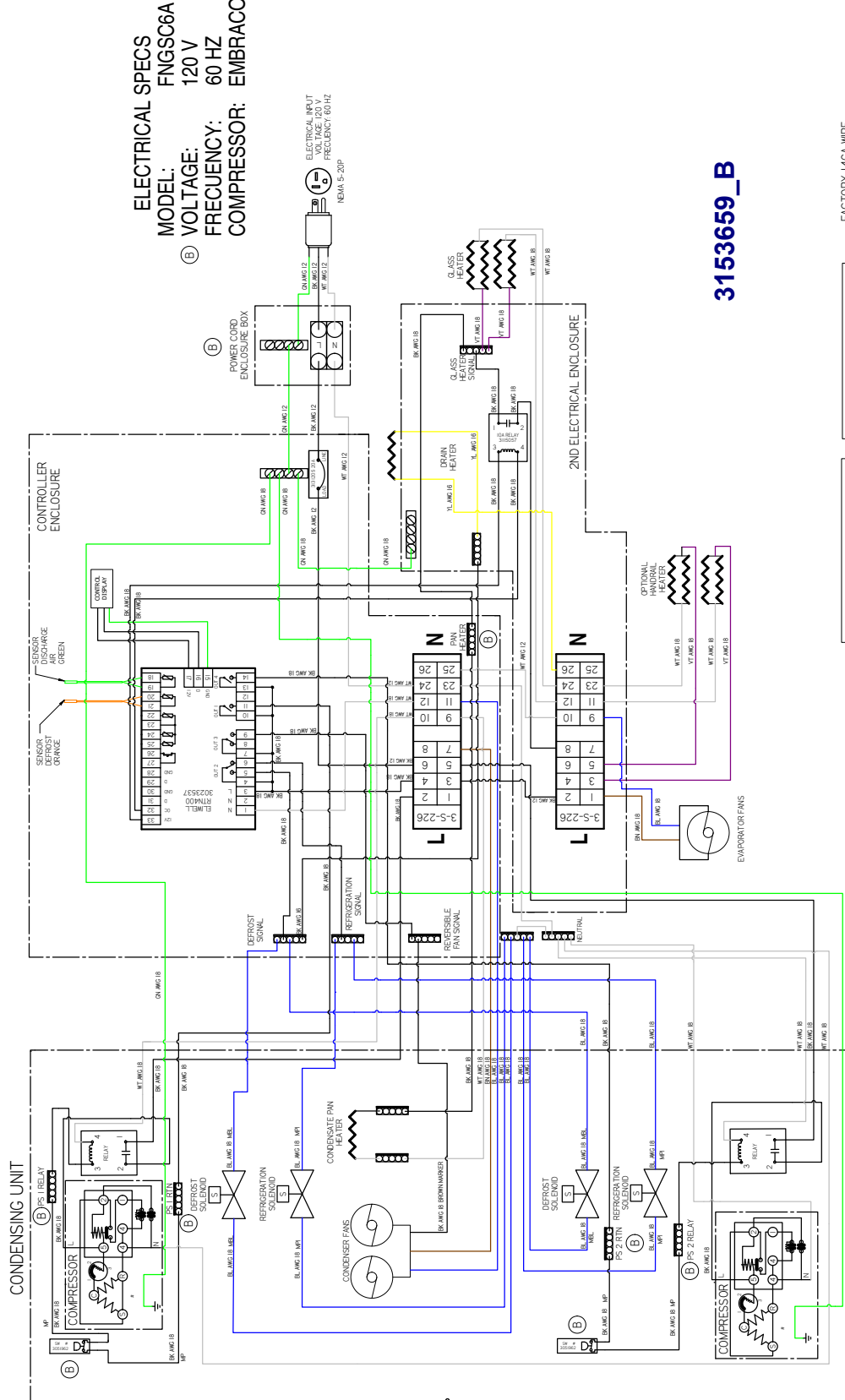
NOTES:
1. PRINTED DOCUMENT REQUIRED. SETTING: ALL COLORS BLACK & WHITE.
2. MATERIAL - WHITE BOND PAPER, LETTER SIZE.

Wiring Diagram 6 Foot

FNGSC-A

Deli / Beverage /
Frozen Food /
Produce / Meat

ELECTRICAL SPECS
MODEL: FNGSC6A
VOLTAGE: 120 V
FREQUENCY: 60 HZ
COMPRESSOR: EMBRACO



3153659_B

FACTORY #4CA WIRE
FACTORY 10CA WIRE
FIELD WIRE

UL COLOR CODES / ABBREVIATIONS

WHITE	=	WT
RED	=	RD
BLACK	=	BK
GREEN	=	GN
BROWN	=	BR
BLUE	=	BL
YELLOW	=	YL
GRAY	=	GY
VIOLET	=	VI

WIRE MARKER COLORS/ABBREVIATIONS

ORANGE	=	MO
PINK	=	MPI
PURPLE	=	MP
RED	=	MR
YELLOW	=	MYL
DARK BLUE	=	MBL
LIGHT BLUE	=	MBL
MAROON	=	MNR

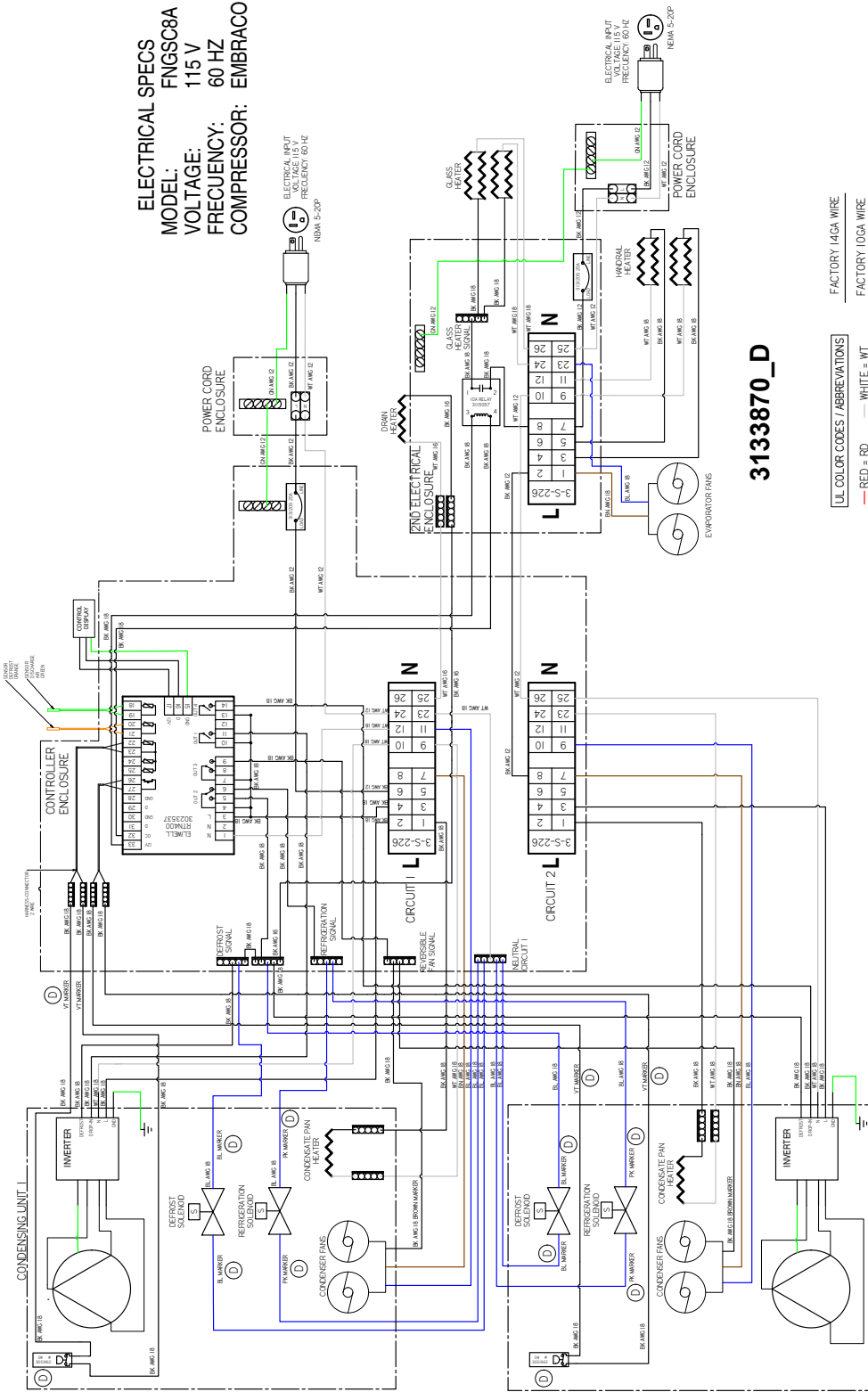
NOTES:
1. PRINTED DOCUMENT REQUIRED SETTING: ALL COLORS BLACK & WHITE
2. MATERIAL-WHITE BOND PAPER, LETTER SIZE.

FNGSC-A

Deli / Beverage /
Frozen Food /
Produce / Meat

Wiring Diagram 8 Foot

ELECTRICAL SPECS
MODEL: FNGSC8A
VOLTAGE: 115 V
FREQUENCY: 60 HZ
COMPRESSOR: EMBRACO



- UL COLOR CODES / ABBREVIATIONS**
- RED = RD
 - BLACK = BK
 - BLUE = BL
 - YELLOW = YL
 - GRAY = GT
 - WHITE = WT
 - GREEN = GN
 - BROWN = BN
 - ORANGE = OR
 - VIOLET = VT
- FACTORY IGA WIRE**
- FACTORY IGA WIRE**
- FIELD WIRE**

3133870_D

NOTES:
1. PRINTED DOCUMENT REQUIRED. SETTING ALL COLORS BLACK & WHITE
2. MATERIAL - WHITE BOND PAPER, LETTER SIZE.

FNGSC-A

Deli / Beverage /
Frozen Food /
Produce / Meat

FNGSC-A

**Deli / Beverage /
Frozen Food /
Produce / Meat**



Scan the QR code with your mobile device to access additional product information or order parts.

Parts may also be ordered at:

parts.husmann.com

Call toll free: 1.855.487.7778

Revision History

Revision A: March 2021: Original Issue

Revision B: May 2021: Updated wiring diagram.

Revision C: October 2021: Updated refrigeration data.

Revision D: October 2021: Updated defrost data.

Revision E: December 2021: Added 4 and 6 foot data.

Revision F: March 2022: Updated clearance.

Revision G: July 2024: Added French number and updated contact information.